

Company: Lamont Doherty

Well: Expedition 307 Site U1316C

Field: Porcupine Basin Carbonate Mounds

Rig: Joides Resolution Country: Ireland

Formation Micro Scanner

Gamma Ray

Elev.: K.B. 11.3 m
G.L. -959 m
D.F. 11 m

Elev.: 0 m
11.0 m above Perm. Datum

Rig: Joides Resolution
Field: Porcupine Basin Carbonate Mounds
Location:
Well: Expedition 307 Site U1306C
Company: Lamont Doherty

LOCATION

Permanent Datum: _____ Mean Sea Level _____
Log Measured From: _____ Drill Floor _____
Drilling Measured From: _____ Drill Floor _____

Ocean Atlantic Max. Well Deviation

Longitude 11° 43.79'W
Latitude 51° 22.54'N

Logging Date	8-May-2005	
Run Number	Two	
Depth Driller	1102 m	
Schlumberger Depth	1102 m	
Bottom Log Interval	1102 m	
Top Log Interval	959 m	
Casing Driller Size @ Depth	0.000 in @ 1017 m	
Casing Schlumberger	1017 m	
Bit Size	9.875 in	
Type Fluid In Hole	Sepiolite	
Density	1.07 g/cm3	
Fluid Loss	PH	
Source Of Sample		
RM @ Measured Temperature	0.322 ohm.m	@ 22 degC
RMF @ Measured Temperature	@	@
RMC @ Measured Temperature	@	@
Source RMF	RMC	
RM @ MRT	RMF @ MRT	@ @
Maximum Recorded Temperatures		
Circulation Stopped	Time	Time
Logger On Bottom	8-May-2005 8-May-2005	4:00 10:00
Unit Number	2082	Webster, TX
Recorded By	Javier Espinosa	
Witnessed By	Philippe Galliot	

Logging Date			
Run Number			
Depth Driller			
Schlumberger Depth			
Bottom Log Interval			
Top Log Interval			
Casing Driller Size @ Depth		@	
Casing Schlumberger			
Bit Size			
Type Fluid In Hole			
Density			
Fluid Loss			
Source Of Sample			
RM @ Measured Temperature		@	
RMF @ Measured Temperature		@	
RMC @ Measured Temperature		@	
Source RMF	RMC		
RM @ MRT	RMF @ MRT	@ @	
Maximum Recorded Temperatures			
Circulation Stopped	Time	Time	
Logger On Bottom	Time		
Unit Number	Location		
Recorded By			
Witnessed By			

DISCLAIMER

THE USE OF AND RELIANCE UPON THIS RECORDED-DATA BY THE HEREIN NAMED COMPANY (AND ANY OF ITS AFFILIATES, PARTNERS, REPRESENTATIVES, AGENTS, CONSULTANTS AND EMPLOYEES) IS SUBJECT TO THE TERMS AND CONDITIONS AGREED UPON BETWEEN SCHLUMBERGER AND THE COMPANY, INCLUDING: (a) RESTRICTIONS ON USE OF THE RECORDED-DATA; (b) DISCLAIMERS AND WAIVERS OF WARRANTIES AND REPRESENTATIONS REGARDING COMPANY'S USE OF AND RELIANCE UPON THE RECORDED-DATA; AND (c) CUSTOMER'S FULL AND SOLE RESPONSIBILITY FOR ANY INFERENCE DRAWN OR DECISION MADE IN CONNECTION WITH THE USE OF THIS RECORDED-DATA.

OTHER SERVICES1

OS1: TCOM
OS2: DSI
OS3:
OS4:
OS5:

OTHER SERVICES2

OS1:
OS2:
OS3:
OS4:
OS5:

REMARKS: RUN NUMBER 1

Parameters and presentations as per IODP standards
Tool ran as per tool sketch below
Hole drilled with RCB
Hole flushed with Sepiolite
Drill pipe riser to 1000m for second pass

REMARKS: RUN NUMBER 2

RUN 1
SERVICE ORDER #:
PROGRAM VERSION: 12C0-301
FLUID LEVEL:

RUN 2
SERVICE ORDER #:
PROGRAM VERSION:
FLUID LEVEL:

LOGGED INTERVAL	START	STOP




LOGGED INTERVAL	START	STOP

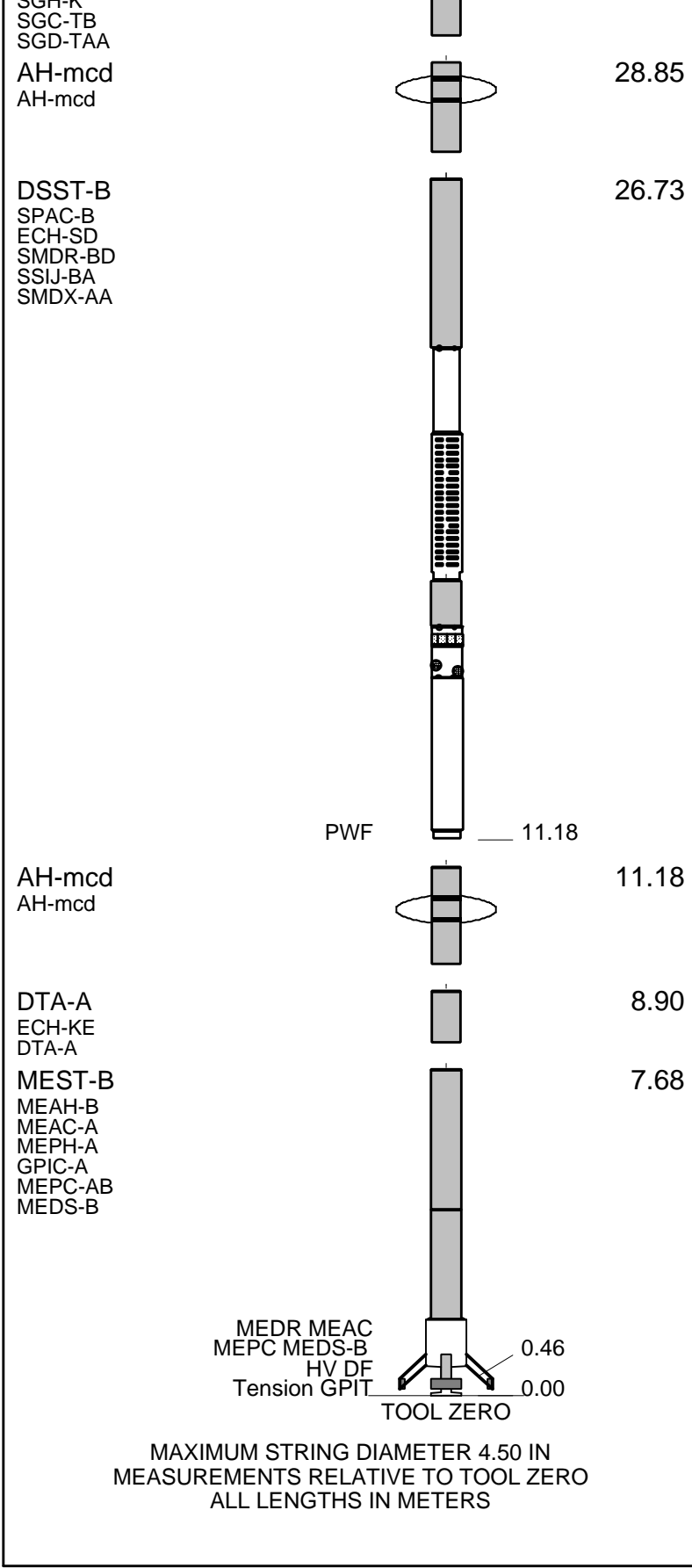
EQUIPMENT DESCRIPTION

RUN 1
SURFACE EQUIPMENT
GSR-U/Y
WITM (DTS)-A

RUN 2

DOWNHOLE EQUIPMENT

LEH-QT			32.33
LEH-QT			
DTC-H	CTEM		31.16
ECH-KC	TelStatus		31.44
	ToolStatu		30.52
SGT-N	Gamma Ray		30.25
SCH-K			30.52



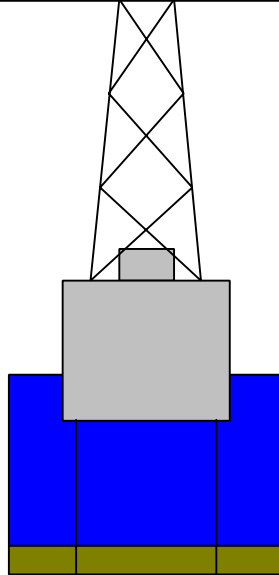
Production String	(in)	(m)	Well Schematic	(m)	(in)	Casing String
	OD	ID		MD	MD	

Kelly Bushing Elevation
Derrick Floor Elevation

11.3
11.0

Mean Sea Level

0.0



11.0 5.000

Casing String

959.0 9.875

Borehole Segment

1017.0 5.000

Casing Shoe

FMS_DSI_008LUP FMS4 .DYN
Horizontal Scale: 1 : 12.409
Orientation North

0 120 240 360

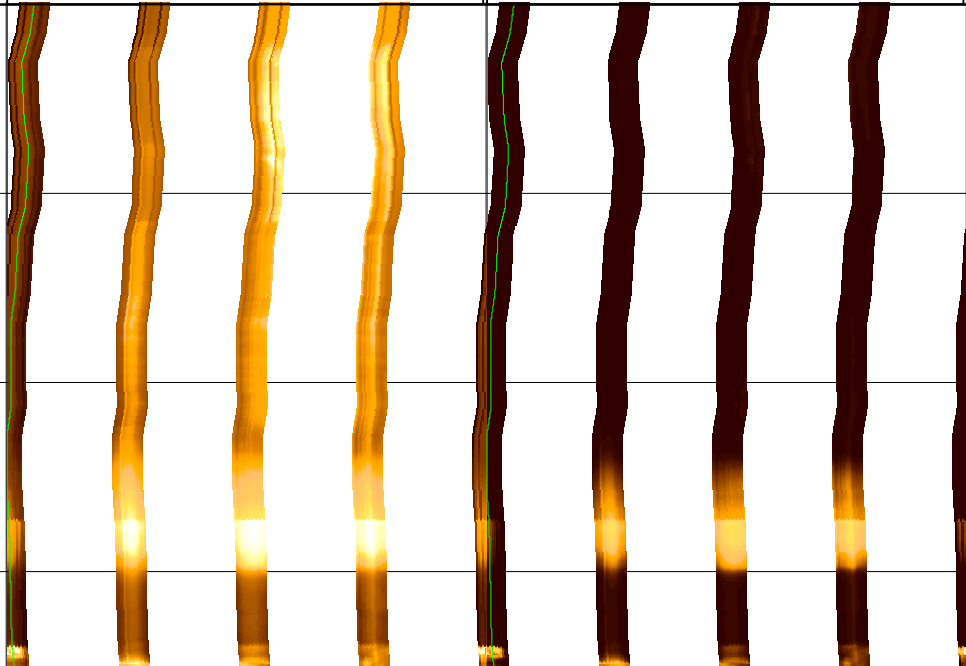
Resistive FMS4 Image Conductive



FMS_DSI_008LUP FMS4 .STA
Horizontal Scale: 1 : 12.409
Orientation North

0 120 240 360

Resistive FMS4 Image Conductive



MD
1 : 40
m
76

78

80

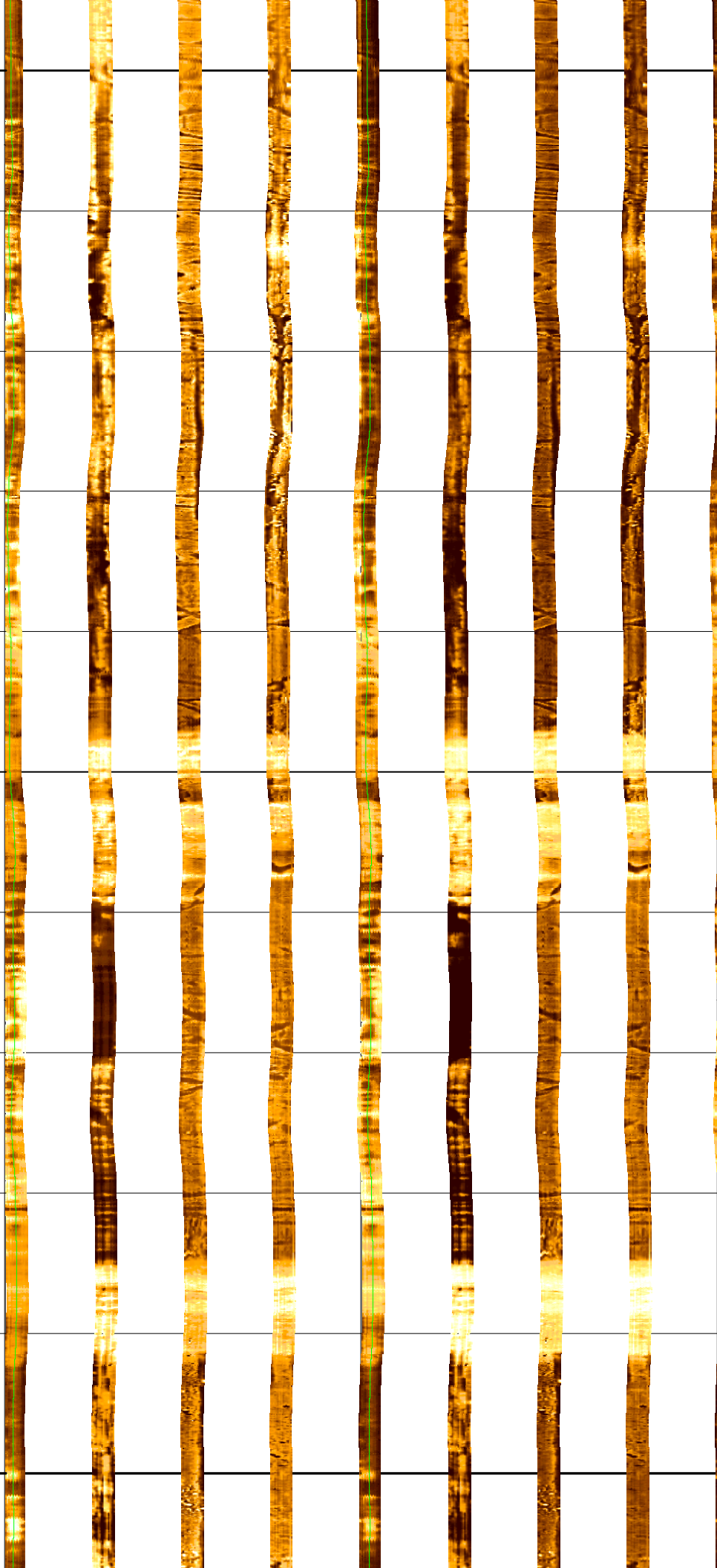
82

84

86

88

90



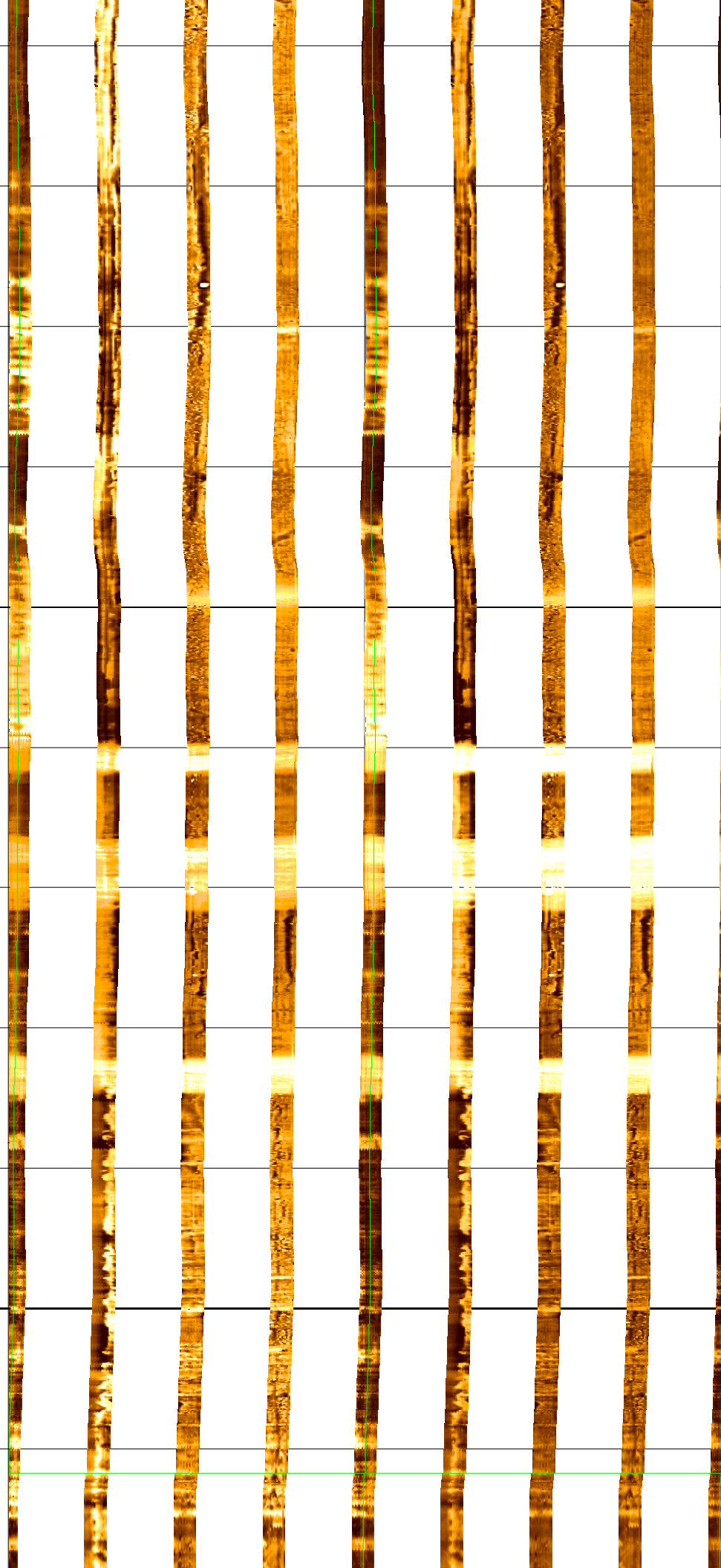
92

94

96

98

100



102

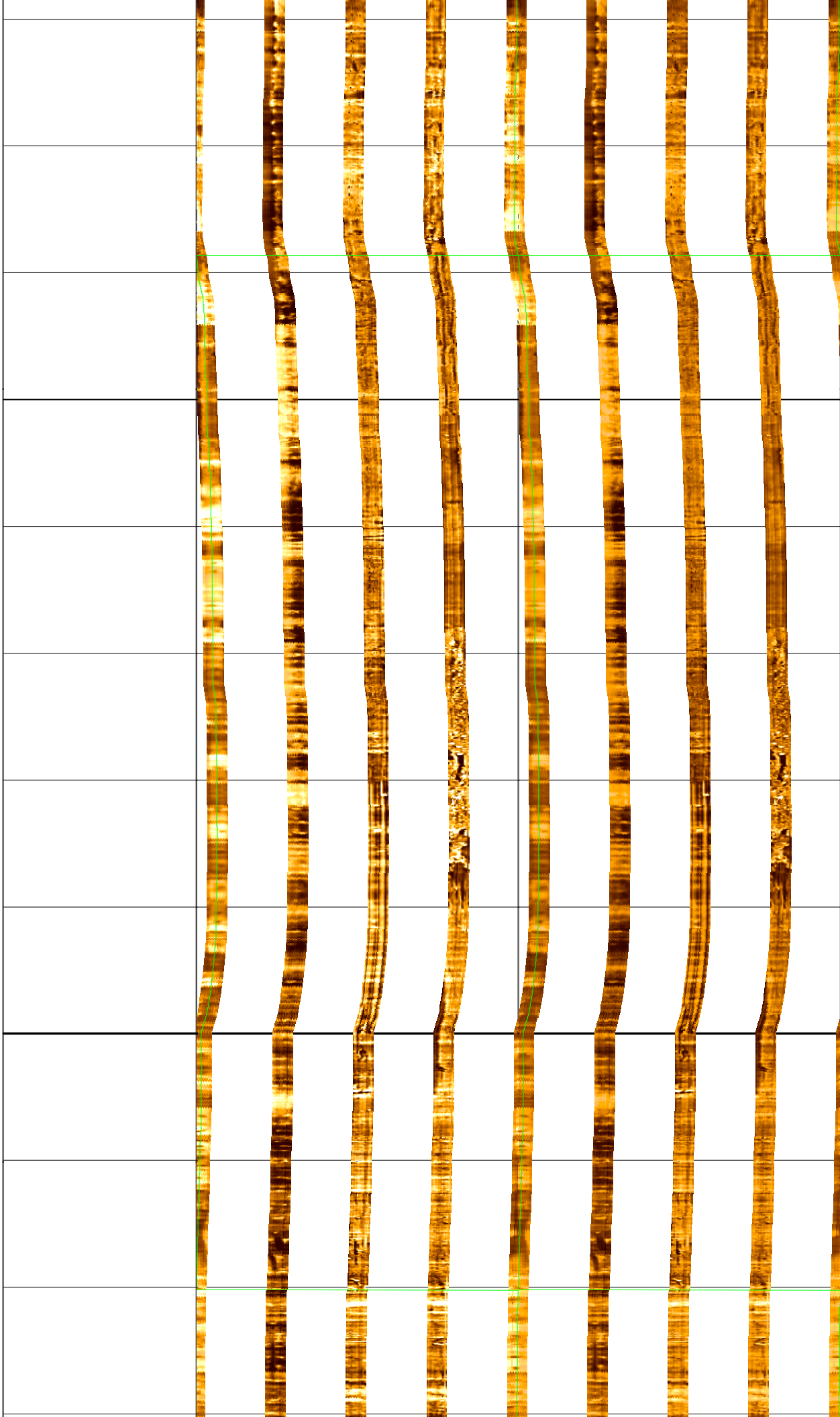
104

106

108

110

112



114

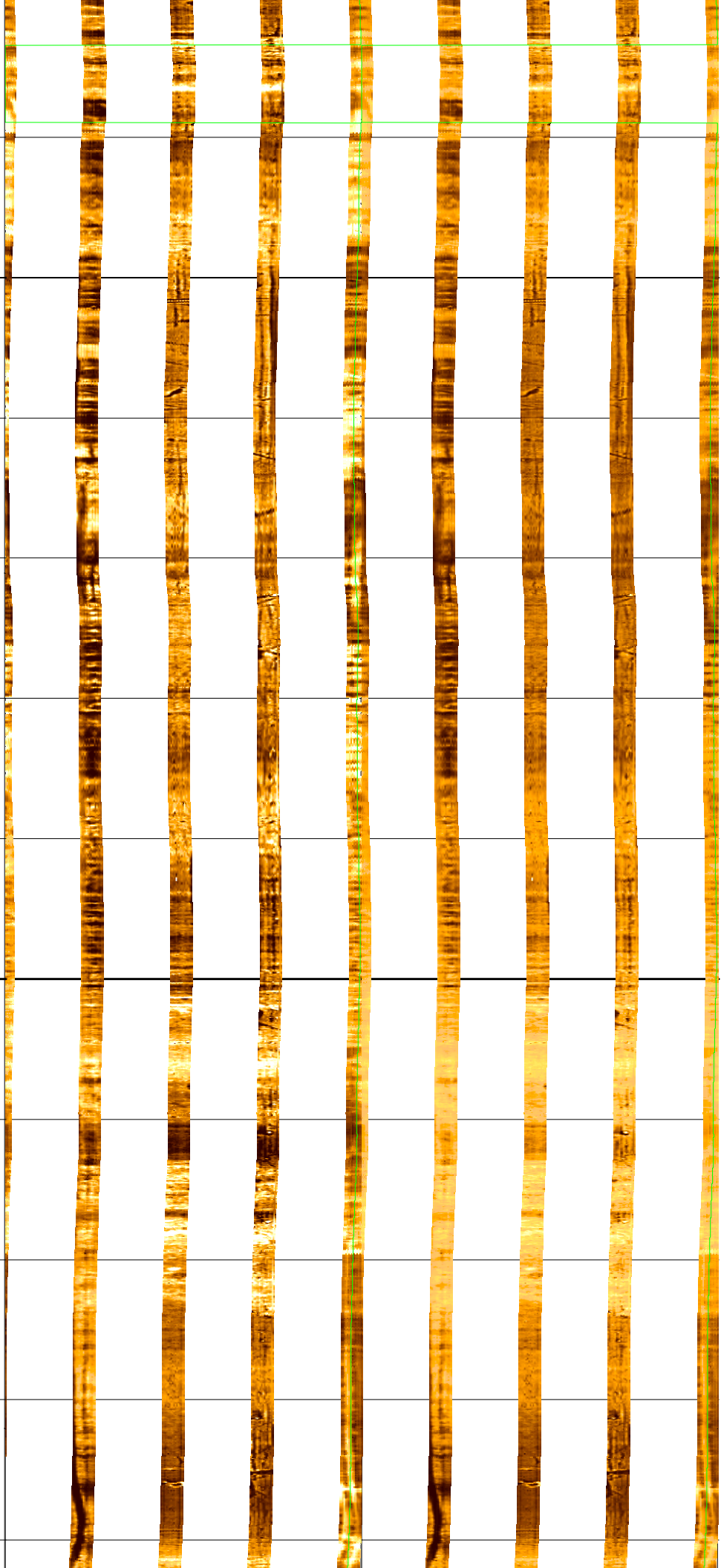
116

118

120

122

124



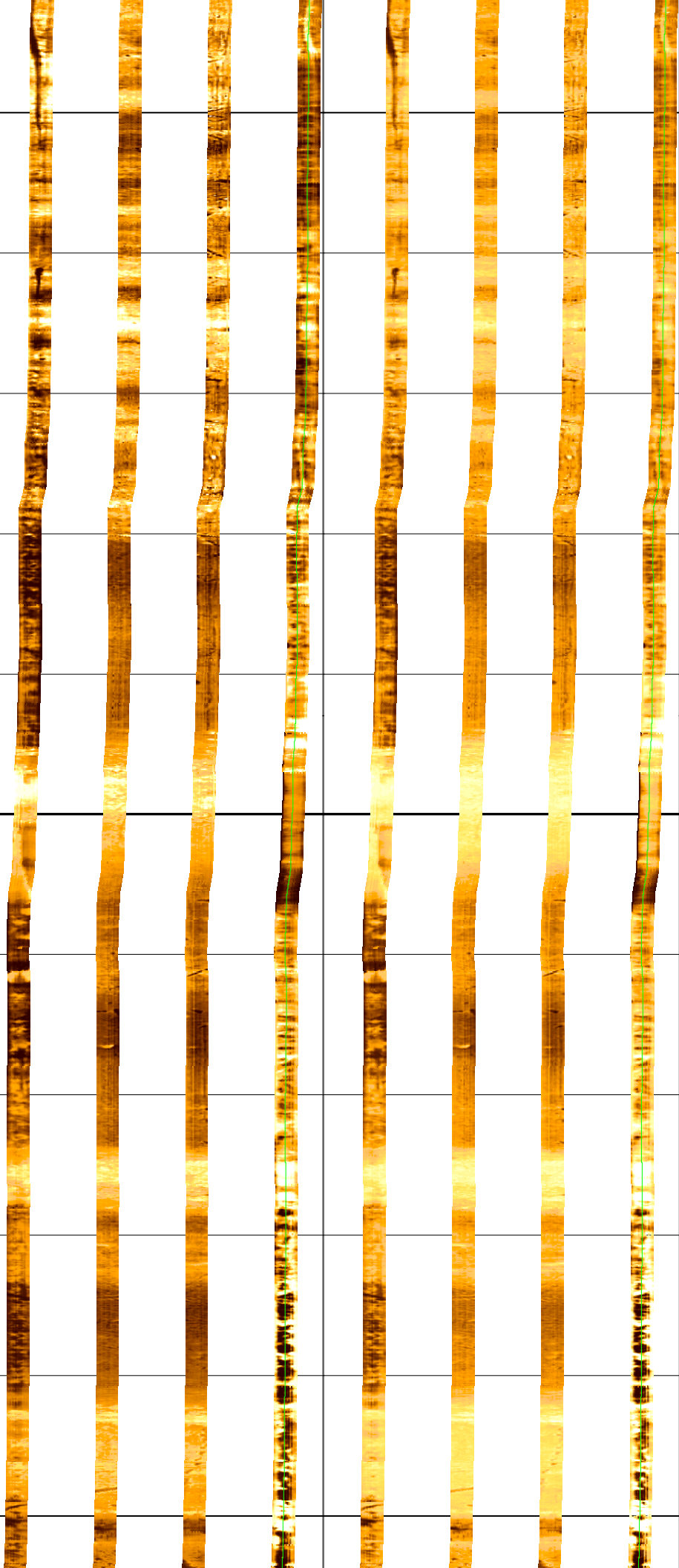
126

128

130

132

134

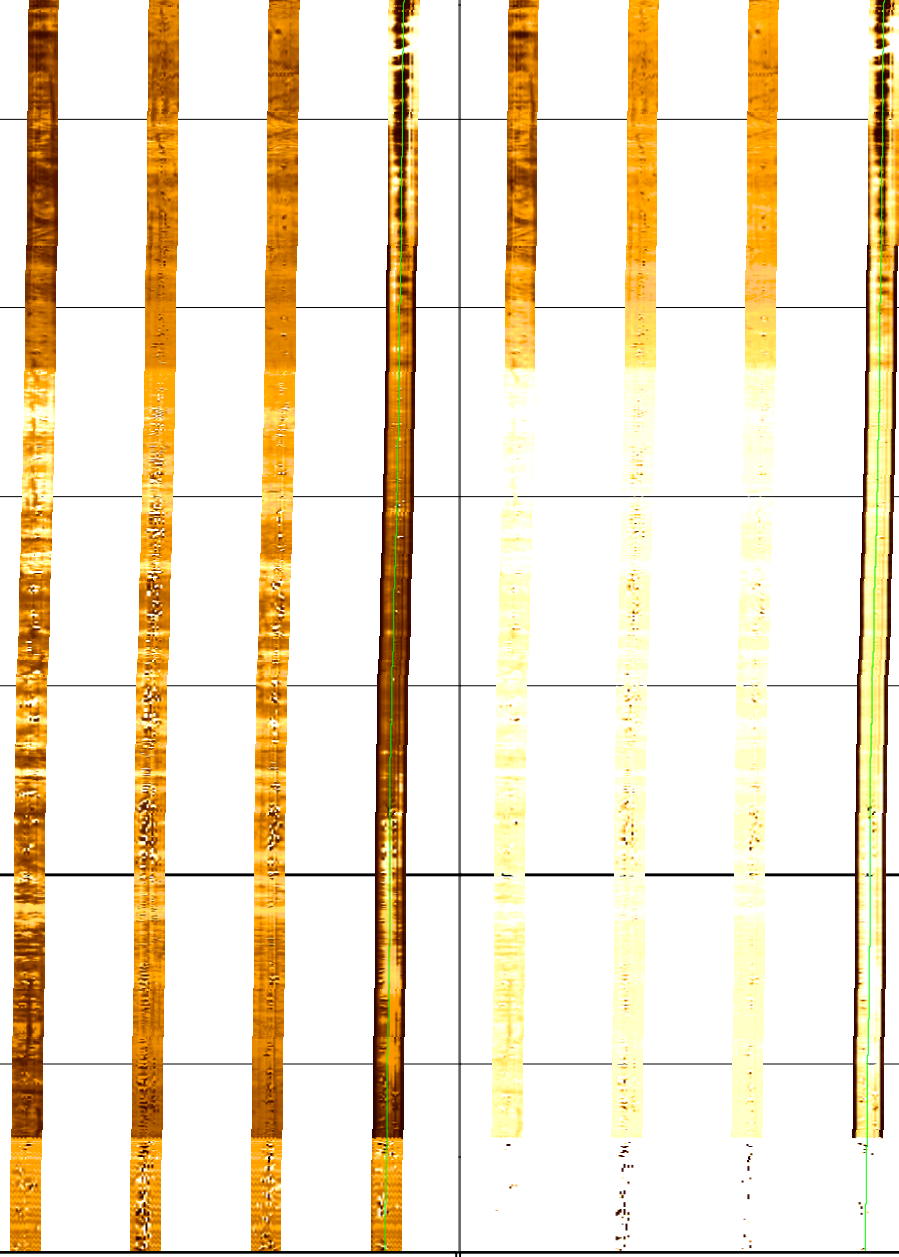


136

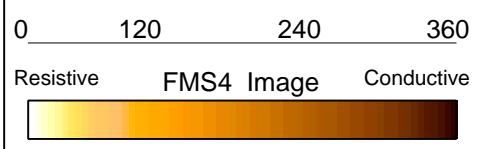
138

140

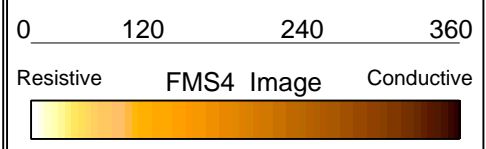
142
MD
1 : 40
m



FMS_DSI_008LUP FMS4 .DYN
Horizontal Scale: 1 : 12.409
Orientation North



FMS_DSI_008LUP FMS4 .STA
Horizontal Scale: 1 : 12.409
Orientation North



CALIBRATIONS

MAXIS Field Log

Calibration and Check Summary

Measurement	Nominal	Master	Before	After	Change	Limit	Units
-------------	---------	--------	--------	-------	--------	-------	-------

Micro Electrical Scanner - B (Slim) Wellsite Calibration - Caliper Calibration

Before: 28-Apr-2005 15:20

Caliper 1 Zero Measurement	8.000	N/A	8.072	N/A	N/A	N/A	IN
Caliper 2 Zero Measurement	8.000	N/A	7.553	N/A	N/A	N/A	IN
Caliper 1 Plus Measurement	12.00	N/A	12.28	N/A	N/A	N/A	IN
Caliper 2 Plus Measurement	12.00	N/A	11.76	N/A	N/A	N/A	IN

Micro Electrical Scanner - B (Slim) Wellsite Calibration - CROUZET ACCELEROMETER PROM HAS BEEN READ CORRECTLY

Before: 8-May-2005 8:54

TEMPERATURE REFERENCE :	N/A	N/A	20	N/A	N/A	N/A	DEGC
YEAR OF CALIBRATION :	N/A	N/A	99	N/A	N/A	N/A	
MONTH OF CALIBRATION :	N/A	N/A	3	N/A	N/A	N/A	
SERIAL NUMBER :	N/A	N/A	743	N/A	N/A	N/A	

Micro Electrical Scanner - B (Slim) Wellsite Calibration - CROUZET MAGNETOMETER PROM HAS BEEN READ CORRECTLY

Before: 8-May-2005 8:54

TEMPERATURE REFERENCE :	N/A	N/A	25	N/A	N/A	N/A	DEGC
YEAR OF CALIBRATION :	N/A	N/A	91	N/A	N/A	N/A	
MONTH OF CALIBRATION :	N/A	N/A	5	N/A	N/A	N/A	
SERIAL NUMBER :	N/A	N/A	98	N/A	N/A	N/A	

Scintillation Gamma-Ray - N Wellsite Calibration - Detector Calibration

Before: 6-May-2005 21:58

Gamma Ray (Jig - Bkg)	166.0	N/A	166.0	N/A	N/A	15.09	GAPI
Gamma Ray (Calibrated)	165.0	N/A	165.0	N/A	N/A	15.00	GAPI

Micro Electrical Scanner - B (Slim) / Equipment Identification

Primary Equipment:

MEST Sonde - B	MEDS - B
MEST Preamplifier Cartridge - AB	MEPC - AB
GPIT Cartridge - A	GPIC - A
MEST Acquisition Cartridge - A	MEAC - A

Auxiliary Equipment:

MEST-B Preamplifier Cartridge Housing	MEPH - A
MEST Acquisition Cartridge Housing (Slim)	MEAH - B

Scintillation Gamma-Ray - N / Equipment Identification

Primary Equipment:

Scintillation Gamma Cartridge	SGC - TB
Scintillation Gamma Detector	SGD - TAA

Auxiliary Equipment:

Scintillation Gamma Housing	SGH - K
Gamma Source Radioactive	GSR - U/Y

Scintillation Gamma-Ray - N Wellsite Calibration

Detector Calibration

Phase	Gamma Ray Background	GAPI	Value	Phase	Gamma Ray (Jig - Bkg)	GAPI	Value	Phase	Gamma Ray (Calibrated)	GAPI	Value
Before			1.507	Before			166.0	Before			165.0
	0 (Minimum)				150.9 (Minimum)				150.0 (Minimum)		
	30.00 (Nominal)				166.0 (Nominal)				165.0 (Nominal)		
	120.0 (Maximum)				181.1 (Maximum)				180.0 (Maximum)		

Before: 6-May-2005 21:58

Well: Expedition 307 Site U1316C
Field: Porcupine Basin Carbonate Mounds
Rig: Joides Resolution
Country: Ireland

Formation Micro Scanner

Gamma Ray