

**COMPANY: Lamont Doherty**

**WELL: ODP Leg 194, Site 1196A**

**FIELD: Marion Plateau**

**Country: Australia Ocean: Pacific Ocean**



**HNGS Natural GR**

Country: Australia  
 Field: Marion Plateau  
 Location: Rig- Joides Resolution  
 Well: ODP Leg 194, Site 1196A  
 Company: Lamont Doherty

Rig- Joides Resolution	LOCATION		
	Permanent Datum: _____	GROUND LEVEL	Elev.: _____
Log Measured From: _____	DES		G.L. -315.2 m
Drilling Measured From: _____	DES		D.F. 11 m
	Elev.: _____		above Perm. Datum
API Serial No. _____	SECTION	TOWNSHIP	RANGE

Logging Date	Run 1	Run 2	Run
Run Number			
Depth Driller			
Schlumberger Depth			
Bottom Log Interval			
Top Log Interval			
Casing Driller Size @ Depth			
Casing Schlumberger			
Bit Size			
Type Fluid In Hole			
Density			
Fluid Loss			
PH			
Source Of Sample			
RM @ Measured Temperature			
RMF @ Measured Temperature			
RMC @ Measured Temperature			
Source RMF			
RM @ MRT			
RMF @ MRT			
Maximum Recorded Temperatures			
Circulation Stopped			
Time			
Logger On Bottom			
Time			
Unit Number			
Location			
Recorded By			
Witnessed By			

Logging Date	2/3/01
Run Number	1
Depth Driller	987.4 m
Schlumberger Depth	821 m
Bottom Log Interval	819 m
Top Log Interval	307 m
Casing Driller Size @ Depth	0.000 in @ 387 m
Casing Schlumberger	386 m
Bit Size	9.875 in
Type Fluid In Hole	SEPIOLITE
Density	1.1 g/cm3
Fluid Loss	PH
Source Of Sample	
RM @ Measured Temperature	@
RMF @ Measured Temperature	@
RMC @ Measured Temperature	@
Source RMF	RMC
RM @ MRT	@
RMF @ MRT	@
Maximum Recorded Temperatures	
Circulation Stopped	Time 0700
Logger On Bottom	Time 2/3/01 See Log
Unit Number	99 Houston
Location	
Recorded By	Steve Kittridge
Witnessed By	Heike Dellius, Gregor Eberli

Logging Date	2/3/01
Run Number	1
Depth Driller	987.4 m
Schlumberger Depth	821 m
Bottom Log Interval	819 m
Top Log Interval	307 m
Casing Driller Size @ Depth	0.000 in @ 387 m
Casing Schlumberger	386 m
Bit Size	9.875 in
Type Fluid In Hole	SEPIOLITE
Density	1.1 g/cm3
Fluid Loss	PH
Source Of Sample	
RM @ Measured Temperature	@
RMF @ Measured Temperature	@
RMC @ Measured Temperature	@
Source RMF	RMC
RM @ MRT	@
RMF @ MRT	@
Maximum Recorded Temperatures	
Circulation Stopped	Time 0700
Logger On Bottom	Time 2/3/01 See Log
Unit Number	99 Houston
Location	
Recorded By	Steve Kittridge
Witnessed By	Heike Dellius, Gregor Eberli

**DISCLAIMER**  
 THE USE OF AND RELIANCE UPON THIS RECORDED-DATA BY THE HEREIN NAMED COMPANY (AND ANY OF ITS AFFILIATES, PARTNERS, REPRESENTATIVES, AGENTS, CONSULTANTS AND EMPLOYEES) IS SUBJECT TO THE TERMS AND CONDITIONS AGREED UPON BETWEEN SCHLUMBERGER AND THE COMPANY, INCLUDING: (a) RESTRICTIONS ON USE OF THE RECORDED-DATA; (b) DISCLAIMERS AND WAIVERS OF WARRANTIES AND REPRESENTATIONS REGARDING COMPANY'S USE OF AND RELIANCE UPON THE RECORDED-DATA; AND (c) CUSTOMER'S FULL AND SOLE RESPONSIBILITY FOR ANY INFERENCE DRAWN OR DECISION MADE IN CONNECTION WITH THE USE OF THIS RECORDED-DATA.

OTHER SERVICES1  
 OS1: MESTB/LSS  
 OS2: WSTA  
 OS3:  
 OS4:  
 OS5:

OTHER SERVICES2  
 OS1:  
 OS2:  
 OS3:  
 OS4:  
 OS5:

REMARKS: RUN NUMBER 1  
 Hole Cored With RCB.  
 WHC used on all runs.  
 Sepiolite mud.  
 Log Measured in Meters Below Rig Floor (MBRF).  
 Sea Floor Driller- 315.2 MBRF  
 Sea Floor Logger- 314 MBRF.  
 Total Depth Driller- 987.4 MBRF.  
 Total Depth Logger- 821 MBRF.  
 Lamont MGT tool was not run.  
 Drill Pipe Driller- 387 MBRF.  
 Drill Pipe Logger- 386 MBRF.  
 High vibrations in drill pipe due to currents.

REMARKS: RUN NUMBER 2

RUN 1

SERVICE ORDER #:  
 PROGRAM VERSION: 9C1-303  
 FLUID LEVEL:

RUN 2

SERVICE ORDER #:  
 PROGRAM VERSION:  
 FLUID LEVEL:

LOGGED INTERVAL	START	STOP

LOGGED INTERVAL	START	STOP

**EQUIPMENT DESCRIPTION**






RUN 1

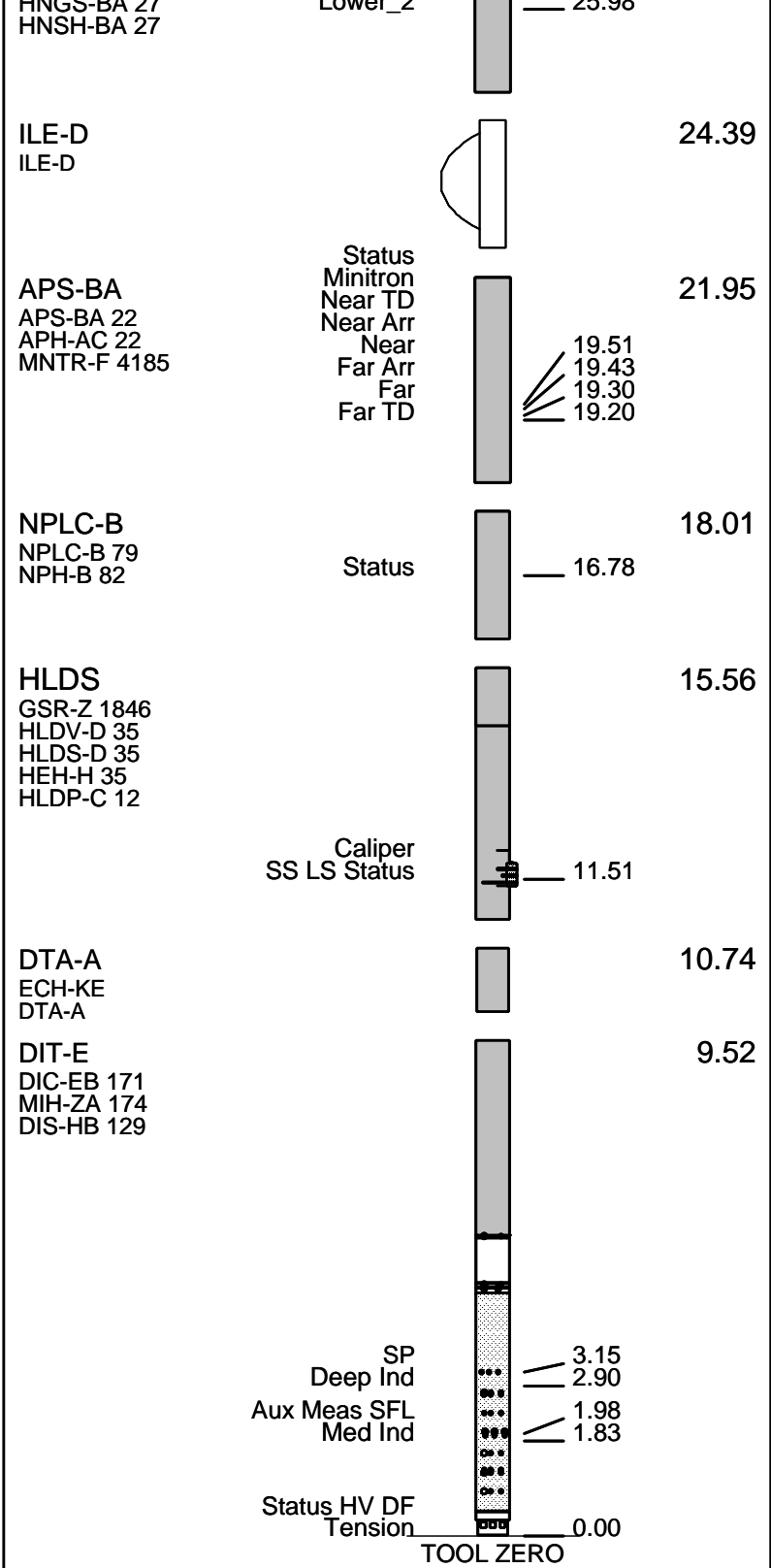
**SURFACE EQUIPMENT**

SFT-281 24  
 SFT-178 4722  
 GSR-U 135  
 WITM (DTS)-A

RUN 2

**DOWNHOLE EQUIPMENT**

LEH-QT  28.69  
 LEH-QT  
 DTC-H CTEM  27.52  
 ECH-KC TelStatus  26.89  
 ToolStatu  
 HNGS-BA Upper\_1  26.19  
 Lower\_2  25.08



TOOL ZERO

MAXIMUM STRING DIAMETER 3.88 IN  
 MEASUREMENTS RELATIVE TO TOOL ZERO  
 ALL LENGTHS IN METERS

### Output DLIS Files

DEFAULT	DITE .005	FN:6	PRODUCER	03-Feb-2001 12:48	818.4 M	307.4 M
TCOMBO_CUST	DITE .005	FN:7	PRODUCER	03-Feb-2001 12:48	818.4 M	307.4 M
DEFAULTC	DITE .005	FN:8	PRODUCER	03-Feb-2001 12:48	818.4 M	307.4 M

OP System Version: 9C1-303  
MCM

**MAIN UP LOG**

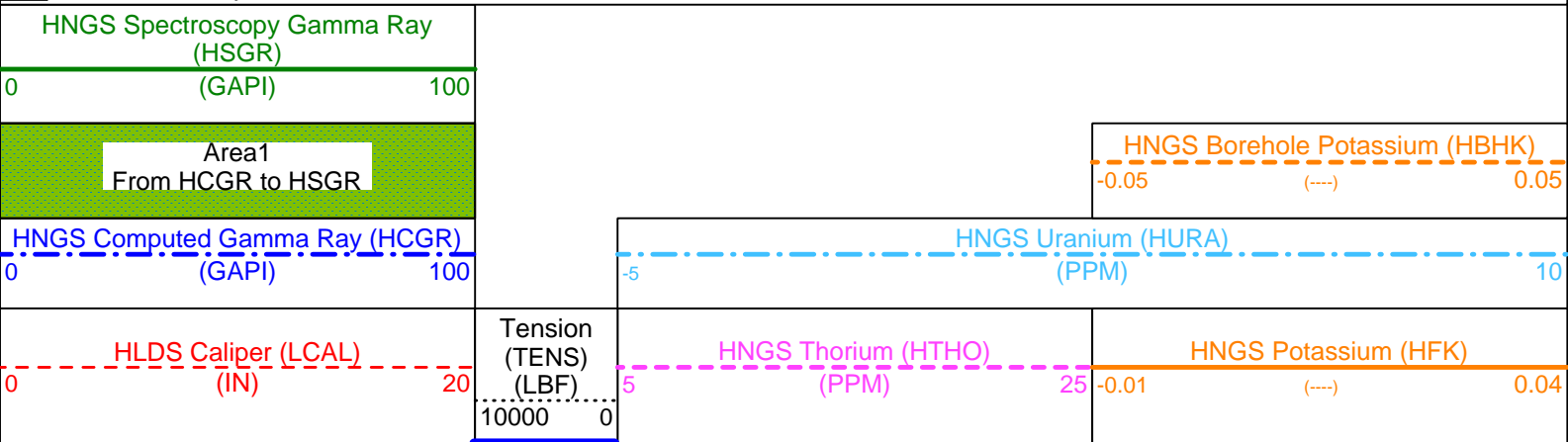
DIT-E	OP91-kp2	DTA-A	OP91-kp2
HLDS	OP91-kp2	NPLC-B	OP91-kp2
APS-BA	OP91-kp2	HNGS-BA	OP91-kp2
DTC-H	OP91-kp2		

### Changed Parameter Summary

DLIS Name	New Value	Previous Value	Depth & Time
GCSE	BS	LCAL	419.7 14:42:33

#### PIP SUMMARY

Time Mark Every 60 S

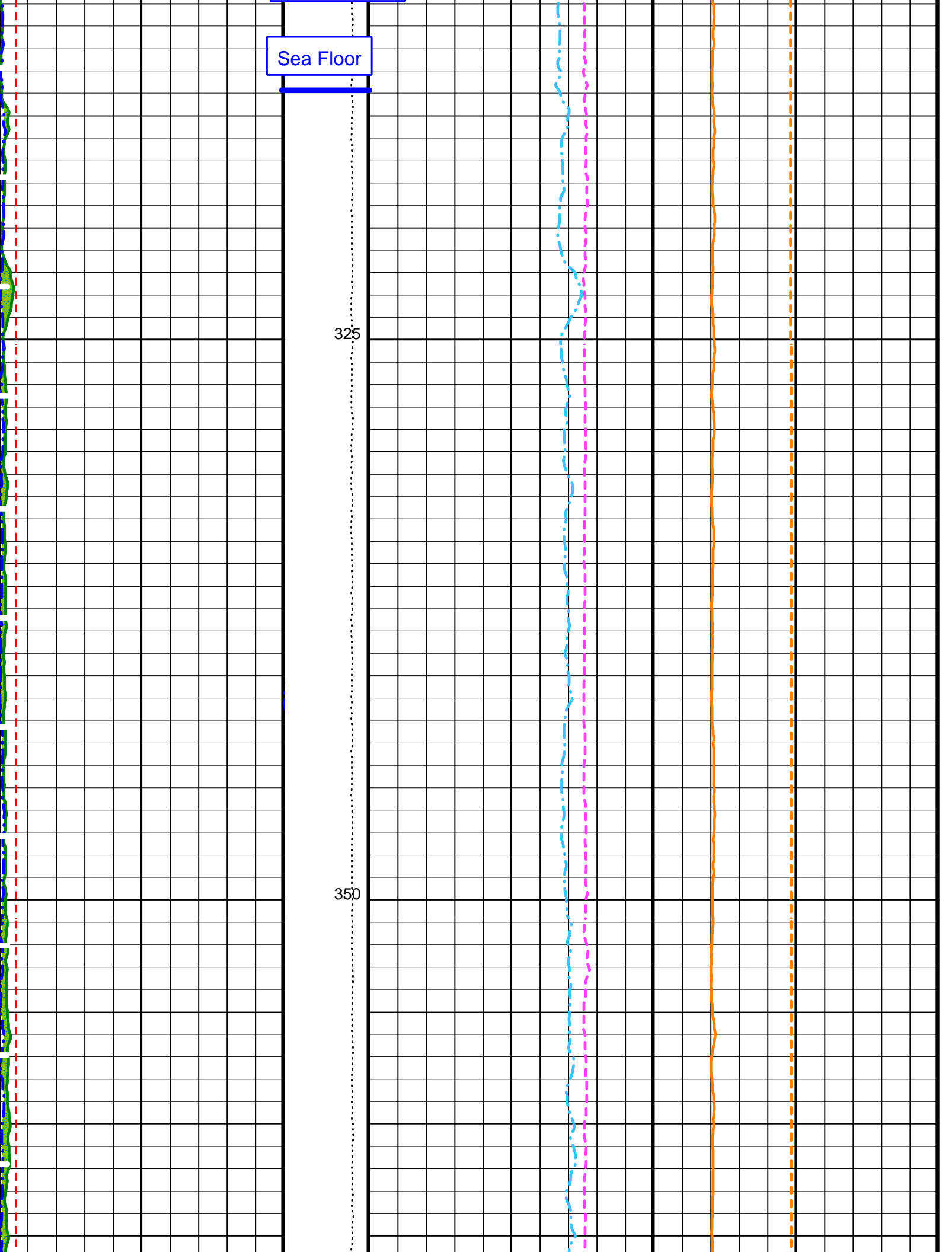


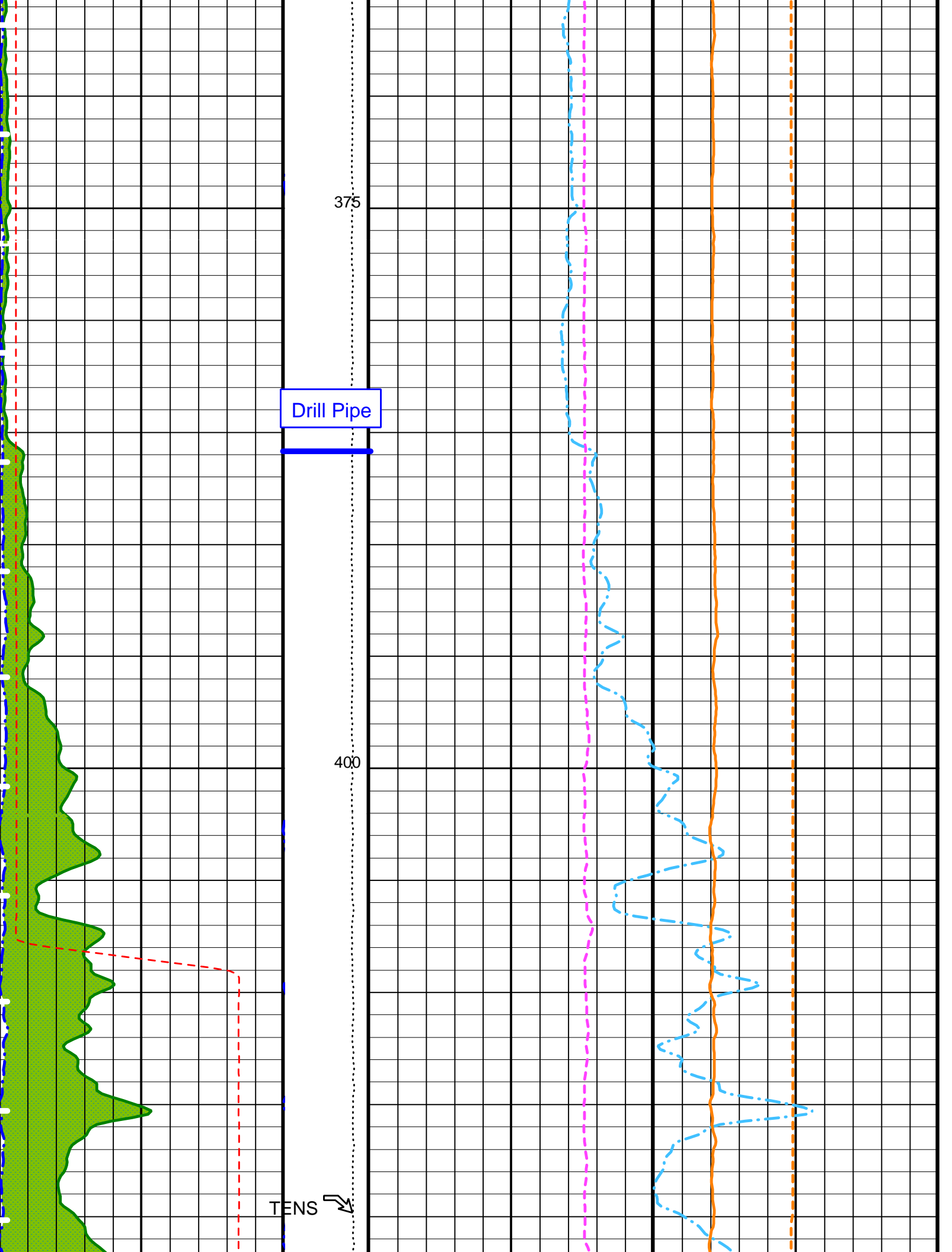
Last Reading

Sea Floor

325

350



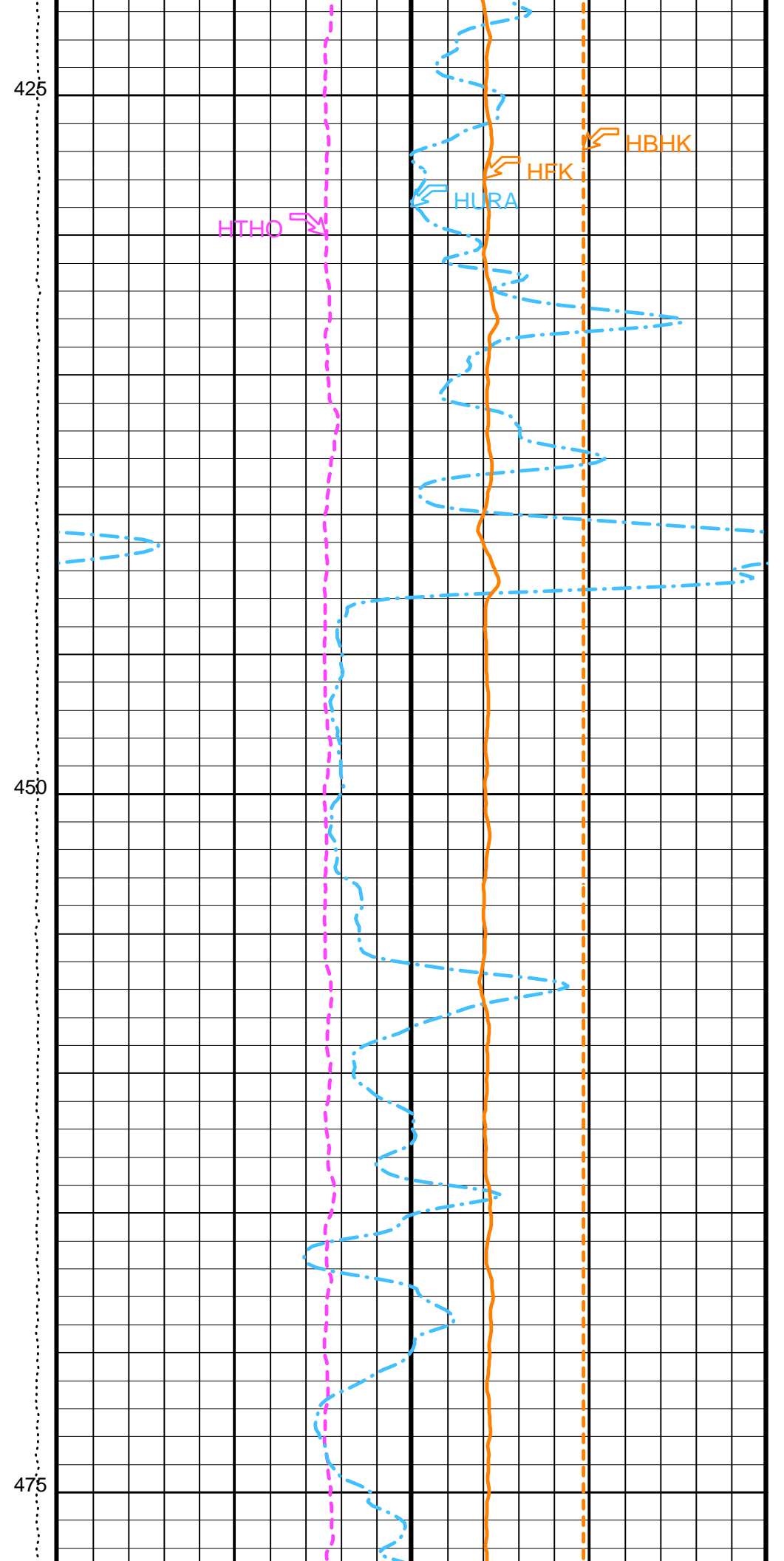
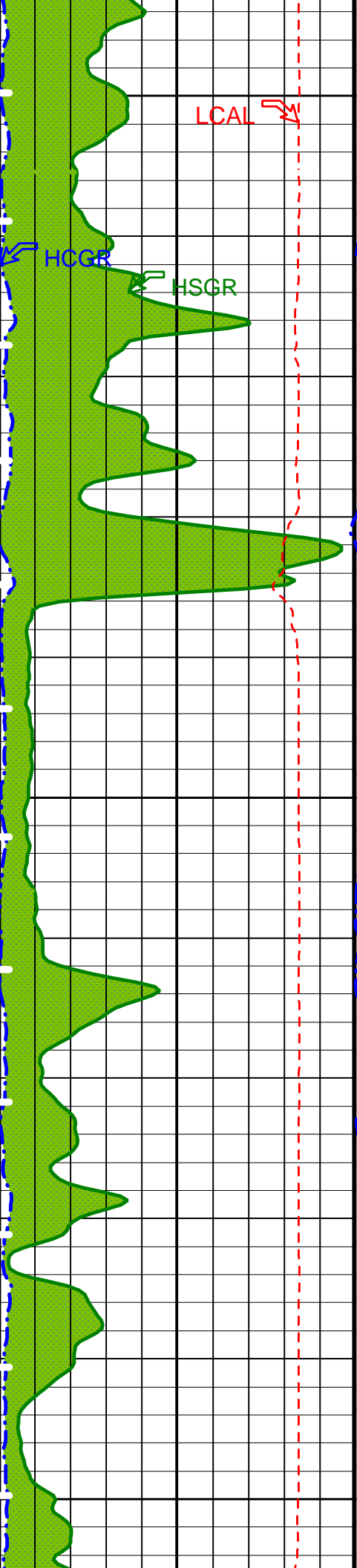


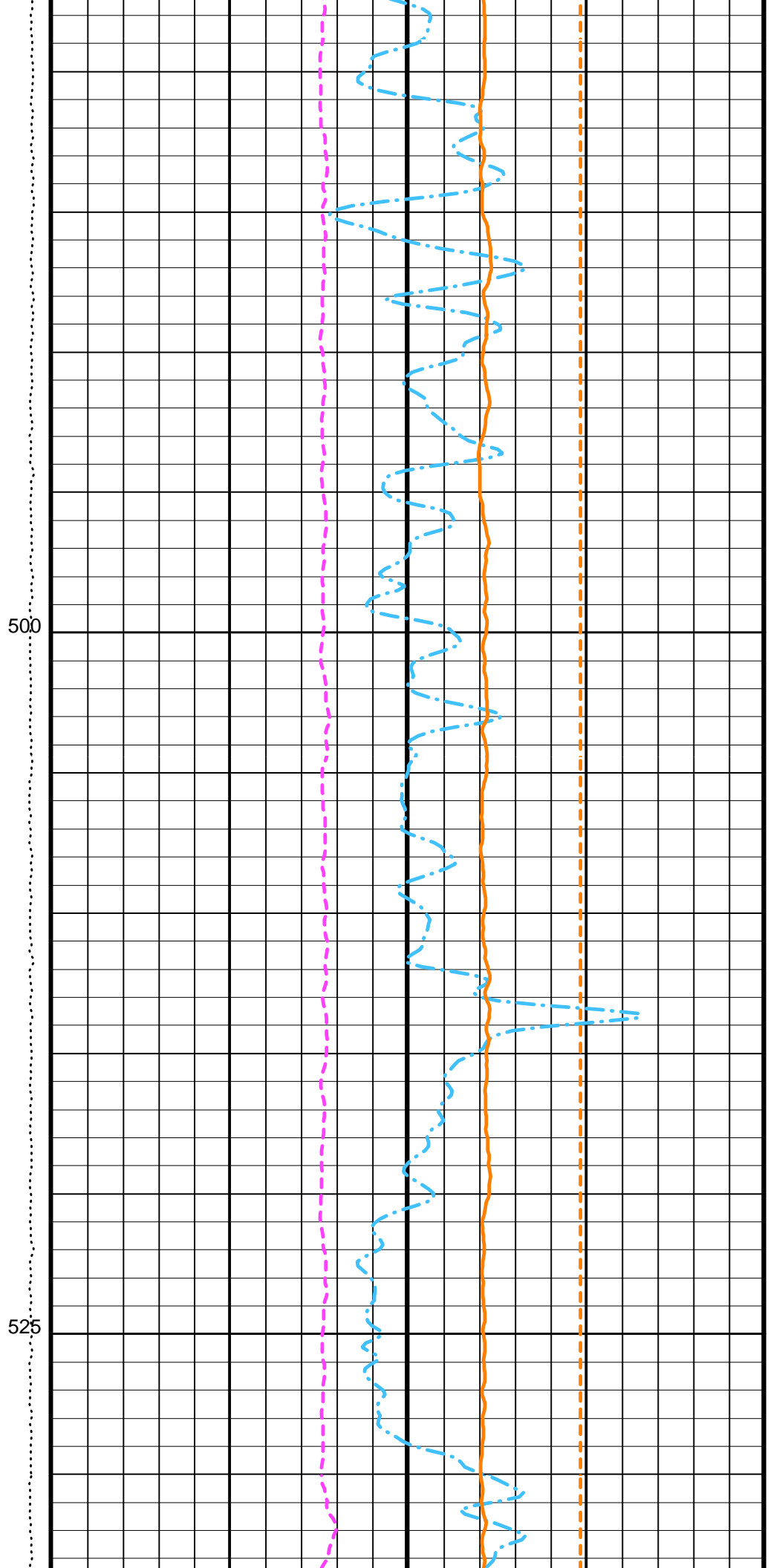
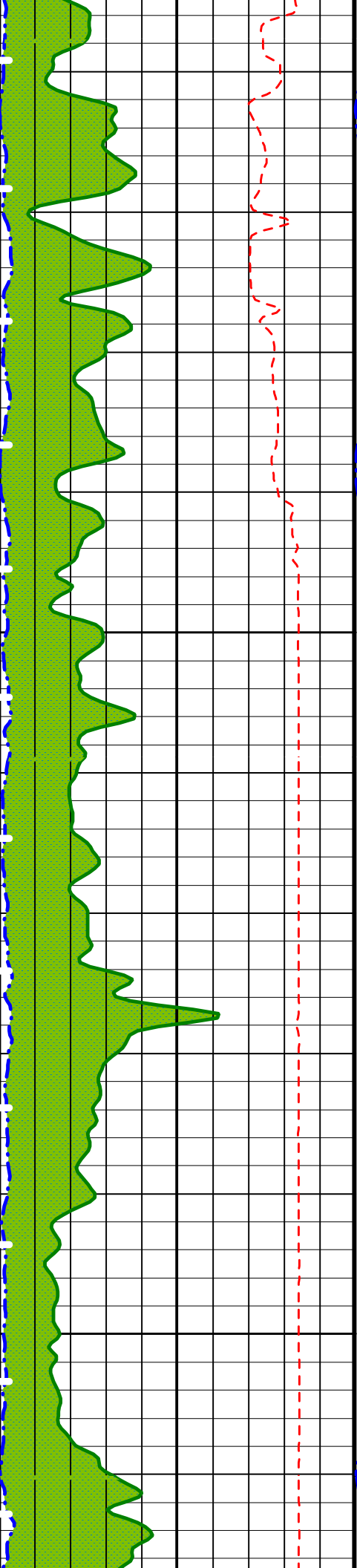
375

Drill Pipe

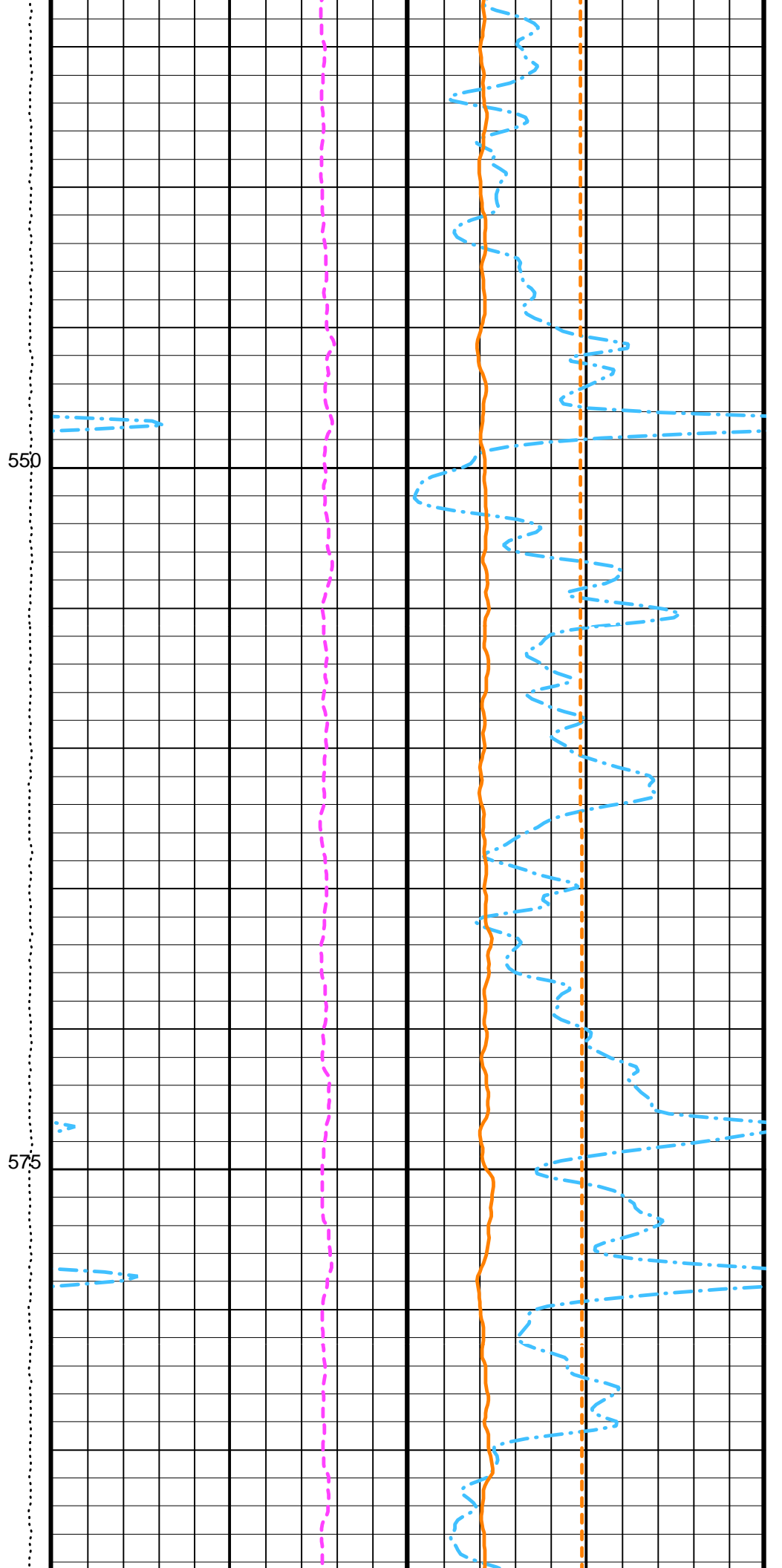
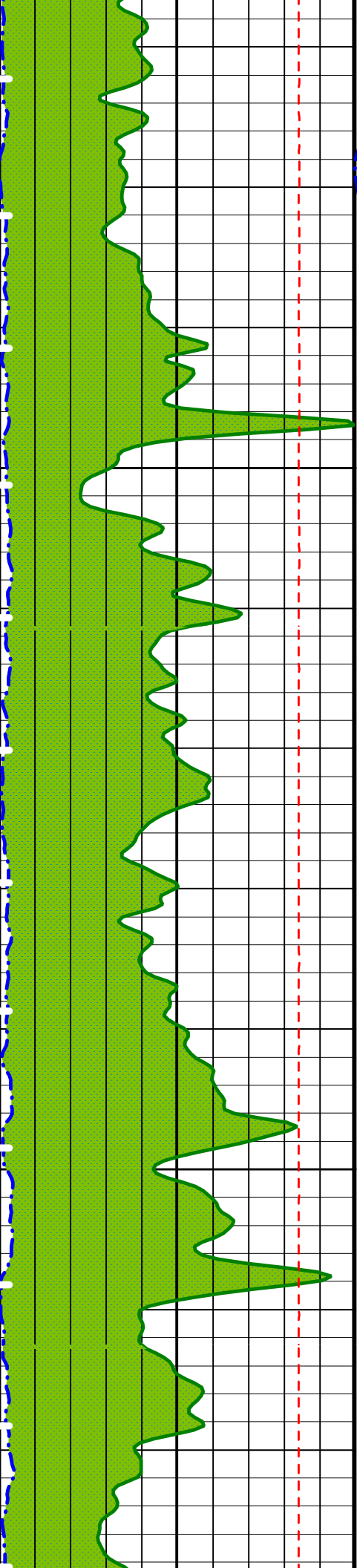
400

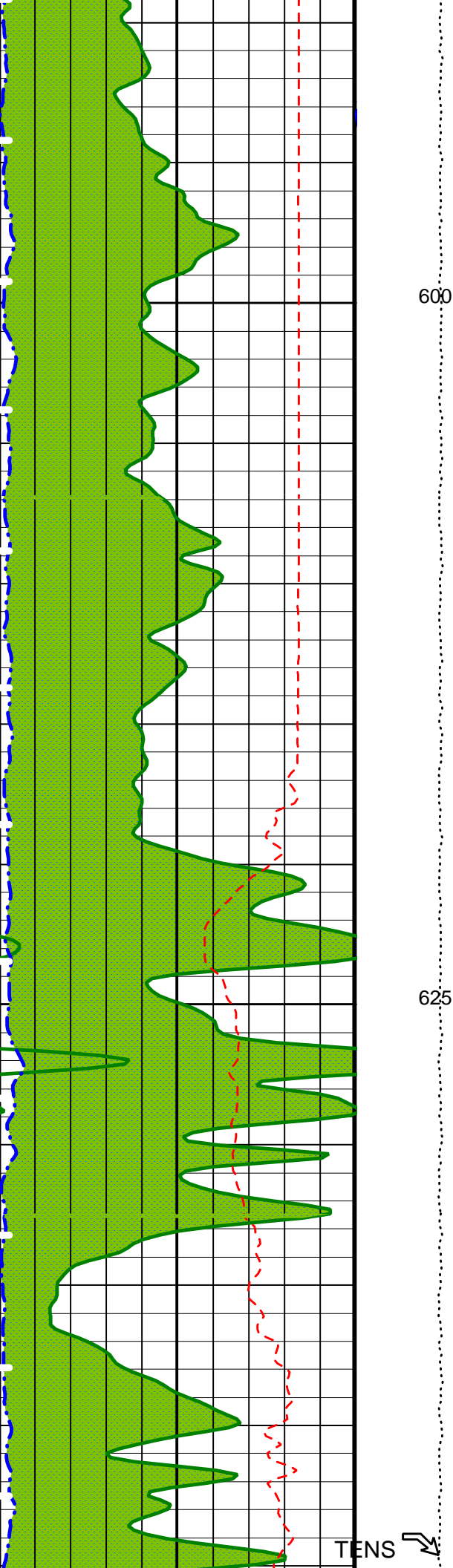
TENS ↘





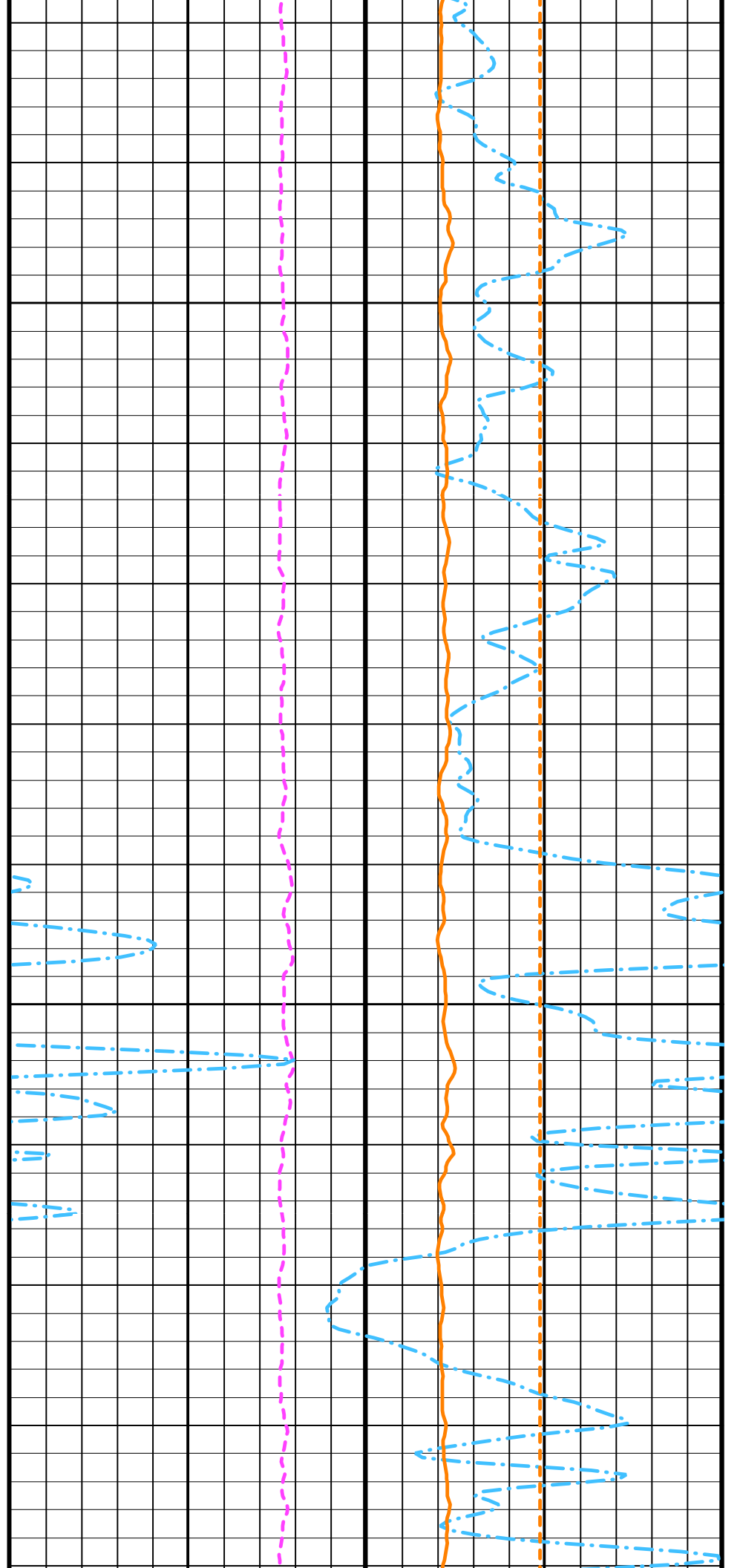


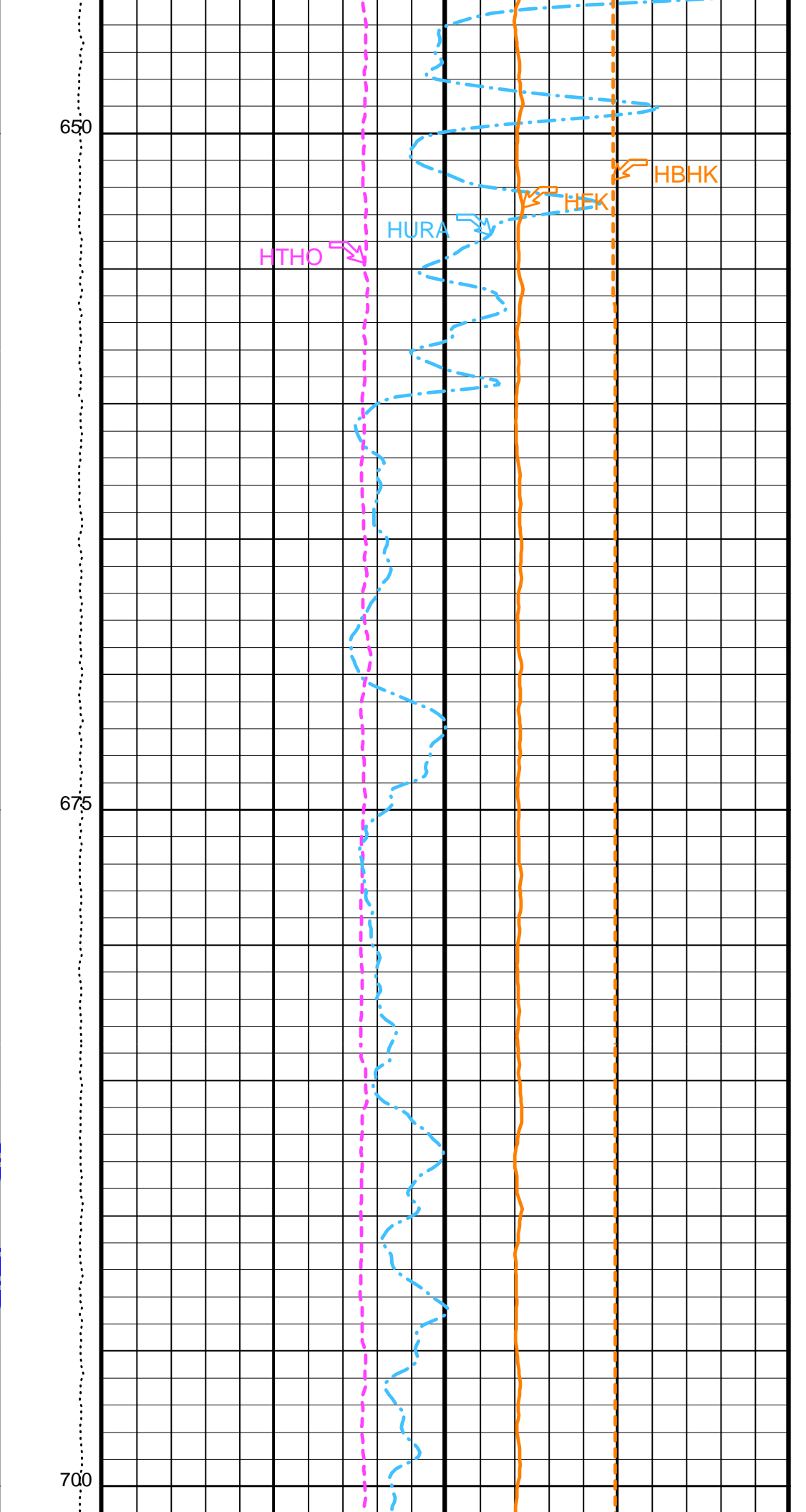
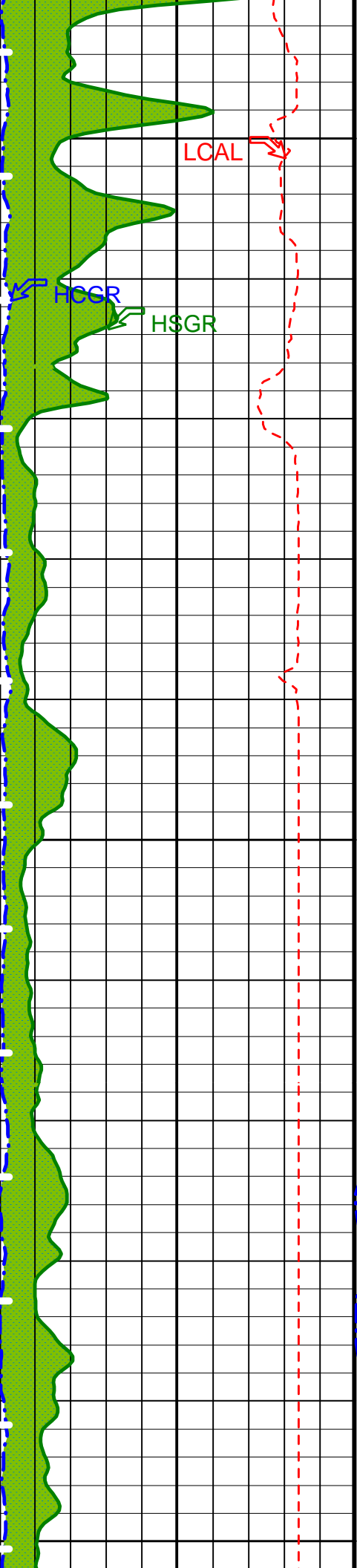


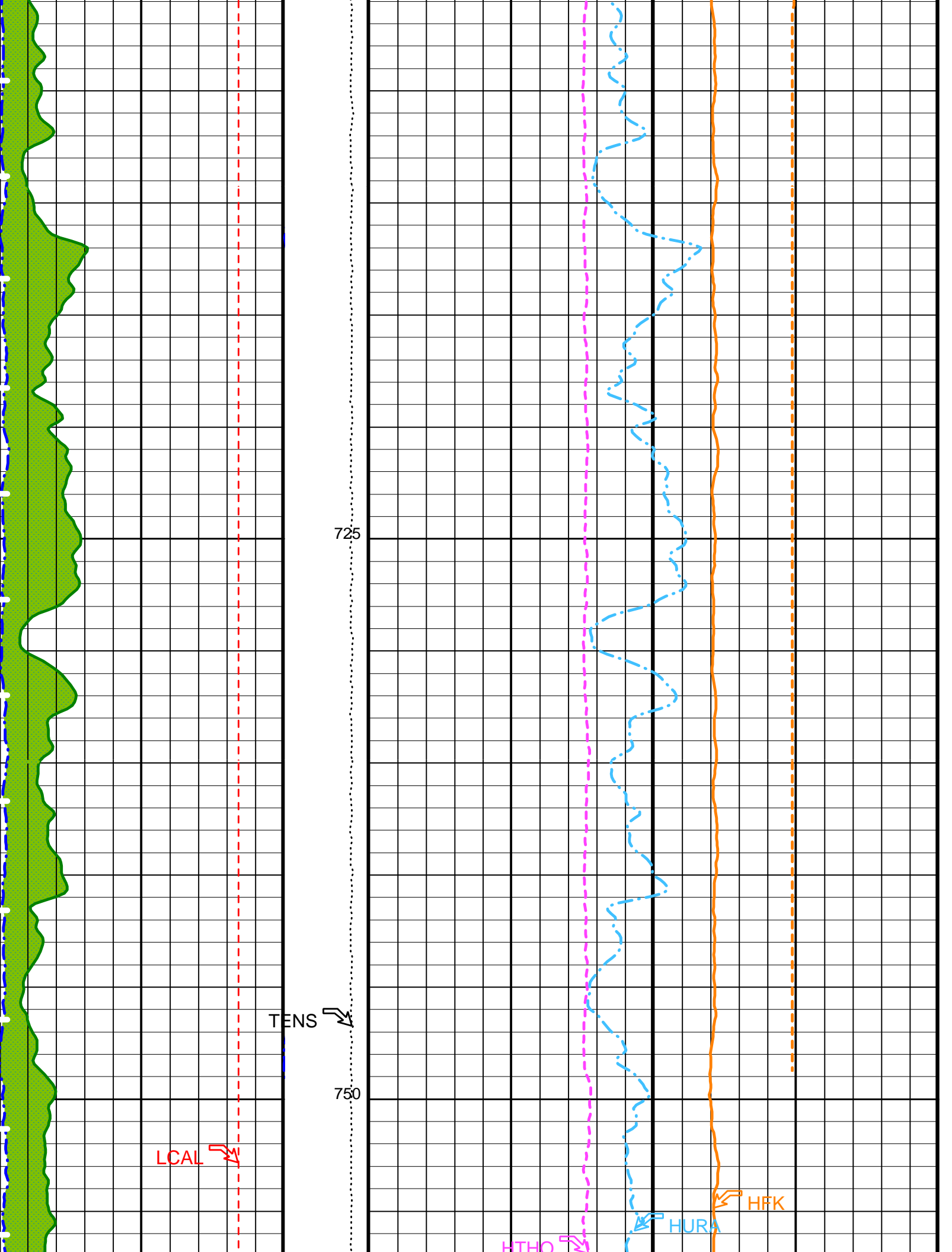


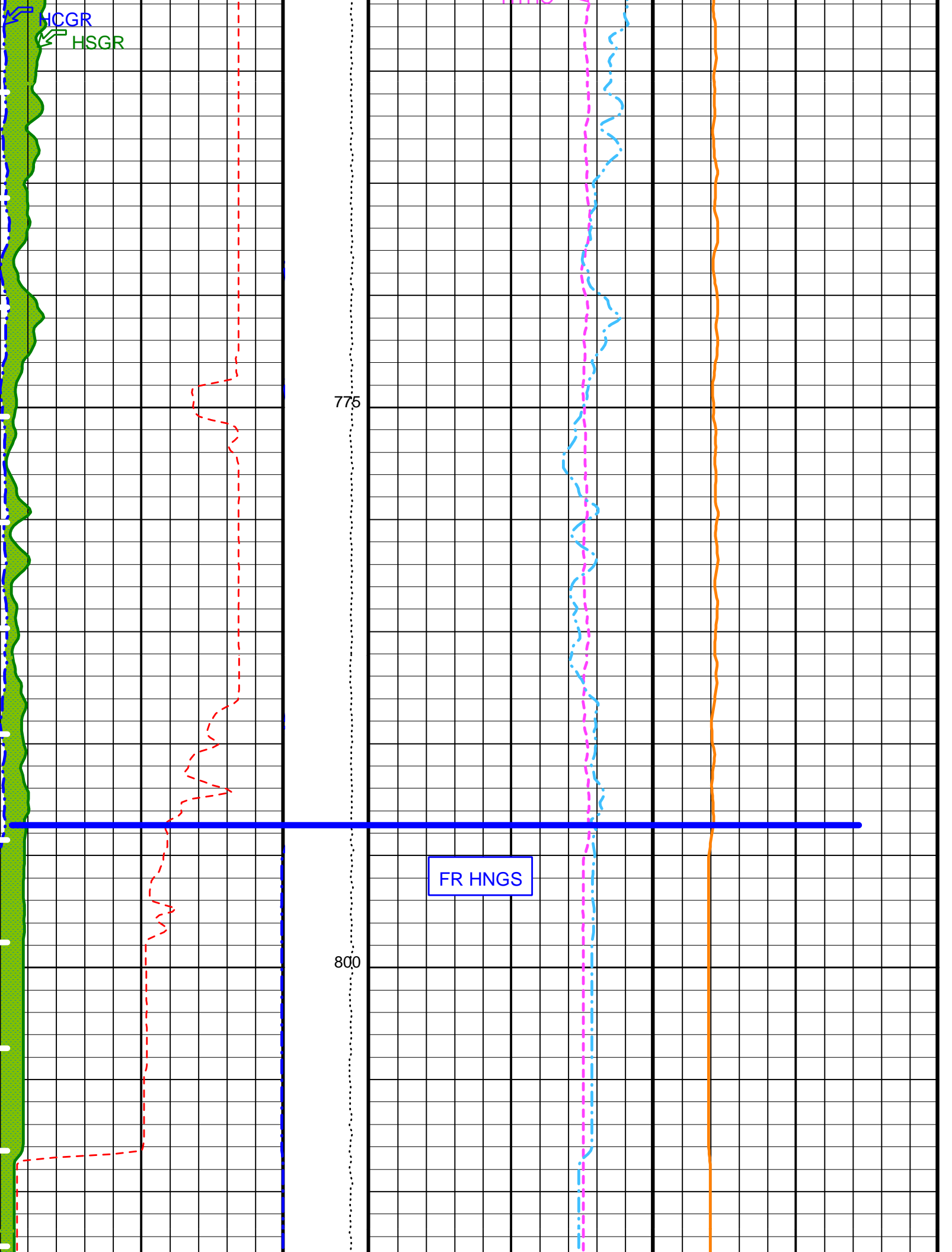
600

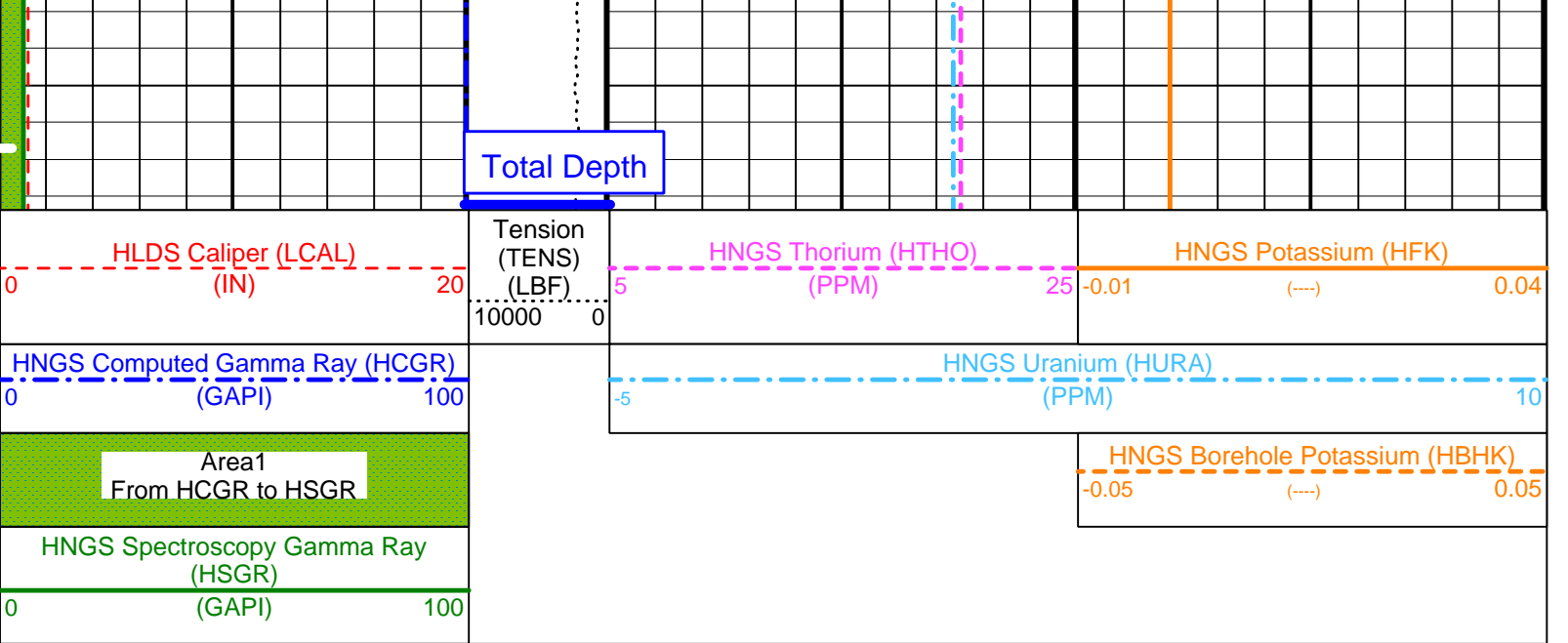
625











PIP SUMMARY

Time Mark Every 60 S

Parameters

DLIS Name	Description	Value	
BAR1	HNGS Detector 1 Barite Constant	1	
BAR2	HNGS Detector 2 Barite Constant	1	
BHK	HNGS Borehole Potassium Correction Concentration	0	
BHS	Borehole Status	OPEN	
BKSF	HNGS Borehole Fluid Excluder Sleeve Algorithm Factor	1	
BKSH	HNGS Borehole Fluid Excluder Sleeve Algorithm High Channel	245	
BKSL	HNGS Borehole Fluid Excluder Sleeve Algorithm Low Channel	17	
BS	Bit Size	9.875	IN
CSD1	Inner Casing Outer Diameter	0	IN
CSD2	Outer Casing Outer Diameter	0	IN
CSW1	Inner Casing Weight	0	LB/F
CSW2	Outer Casing Weight	0	LB/F
D1PR	HNGS Detector 1 Calibration Thorium Peak Resolution	7.79616	%
D1TC	HNGS Detector 1 Calibration Temperature	30.594	DEGC
D1TL	HNGS Detector 1 Calibration Thorium Peak Location	211.429	
D2PR	HNGS Detector 2 Calibration Thorium Peak Resolution	6.70686	%
D2TC	HNGS Detector 2 Calibration Temperature	29.6607	DEGC
D2TL	HNGS Detector 2 Calibration Thorium Peak Location	210.041	
DBCC	HNGS Barite Constant Correction Flag	NONE	
DFD	Drilling Fluid Density	1.10	G/C3
GCF1_START	HNGS Detector 1 GCF Constant	1	
GCF2_START	HNGS Detector 2 GCF Constant	1	
GCSE	Generalized Caliper Selection	LCAL	
H1P	HNGS Detector 1 Allow/Disallow In Processing	ALLOW	
H2P	HNGS Detector 2 Allow/Disallow In Processing	ALLOW	
HABK	HNGS Borehole Potassium Running Average	-0.000746505	
HALF	HNGS Alpha Filter Length	60	IN
HATIM	HNGS Marquardt Accumulation Time	600	S
HCRB	HNGS Apply Borehole Potassium Correction	NONE	
HMWM	Mud Weighting Material	NATU	
HNPE	HNGS Processing Enable	YES	
HSLV	HNGS Borehole Fluid Excluder Sleeve Status	NO	
HSVN	HNGS Spectral Standards Version Number	2.80404e-031	
MARQ_START	HNGS Marquardt Start-up Mode	INTERNAL	
RDF1_START	HNGS Detector 1 RDF Constant	0	
RDF2_START	HNGS Detector 2 RDF Constant	0	
S1BI	HNGS Detector 1 Calibration Bismuth Count Rate	1.3	CPS
S1NA	HNGS Detector 1 Calibration Sodium Count Rate	22.4203	CPS
S1NG	HNGS Detector 1 Calibration End-On / Side-On Gain Ratio	0.992953	
S2BI	HNGS Detector 2 Calibration Bismuth Count Rate	1.3	CPS
S2NA	HNGS Detector 2 Calibration Sodium Count Rate	22.621	CPS
S2NG	HNGS Detector 2 Calibration End-On / Side-On Gain Ratio	0.985234	
SABK	HNGS Statistical Uncertainty in Borehole Potassium Running Average	0.000135419	
SGRC	HNGS Standard Gamma-Ray Correction Flag	YES	
TPOS	Tool Position	ECCE	
VBA1	HNGS Detector 1 Variable Barite Factor Running Average	1.01354	
VBA2	HNGS Detector 2 Variable Barite Factor Running Average	0.951953	

# OP System Version: 9C1-303

MCM

DIT-E	OP91-kp2	DTA-A	OP91-kp2
HLDS	OP91-kp2	NPLC-B	OP91-kp2
APS-BA	OP91-kp2	HNGS-BA	OP91-kp2
DTC-H	OP91-kp2		

## Output DLIS Files

DEFAULT	DITE .005	FN:6	PRODUCER	03-Feb-2001 12:48
TCOMBO_CUST	DITE .005	FN:7	PRODUCER	03-Feb-2001 12:48
DEFAULTC	DITE .005	FN:8	PRODUCER	03-Feb-2001 12:48

<b>COMPANY:</b> Lamont Doherty	BOTTOM LOG INTERVAL	819 m
	SCHLUMBERGER DEPTH	821 m
<b>WELL:</b> ODP Leg 194, Site 1196A	DEPTH DRILLER	987.4 m
<b>FIELD:</b> Marion Plateau	KELLY BUSHING	11.3 m
<b>Country:</b> Australia	DRILL FLOOR	11 m
<b>Ocean:</b> Pacific Ocean	GROUND LEVEL	-315.2 m

HNGS Natural GR

