

COMPANY: Lamont Doherty

WELL: ODP Leg 198, Site 1207-B

FIELD: Shatsky Rise

Country: Japan Ocean: Pacific Ocean

Country: Japan
Field: Shatsky Rise
Location: Rig- Joides Resolution
Well: ODP Leg 198, Site 1207-B
Company: Lamont Doherty



Natural Gamma Ray Log

LOCATION		Rig- Joides Resolution		Elev.: K.B. 11.3 m G.L. -3111.7 m D.F. 11 m	
Permanent Datum:	GROUND LEVEL	Elev.: _____		above Perm. Datum	
Log Measured From:	DES				
Drilling Measured From:	DES				
API Serial No.	Max. Hole Devi.	Longitude E 162.7558	Latitude N 37.782		

Logging Date	Run 1	Run 2	Run
Run Number			
Depth Driller			
Schlumberger Depth			
Bottom Log Interval			
Top Log Interval			
Casing Driller Size @ Depth			
Casing Schlumberger			
Bit Size			
Type Fluid In Hole			
Density			
Fluid Loss			
PH			
Source Of Sample			
RM @ Measured Temperature			
RMF @ Measured Temperature			
RMC @ Measured Temperature			
Source RMF			
RM @ MRT			
RMF @ MRT			
Maximum Recorded Temperatures			
Circulation Stopped			
Time			
Logger On Bottom			
Time			
Unit Number			
Location			
Recorded By			
Steve Kittridge			
Witnessed By			
Trevor Williams			

Logging Date	9-12-01
Run Number	1
Depth Driller	3734.5 m
Schlumberger Depth	3733 m
Bottom Log Interval	3731 m
Top Log Interval	3103.5 m
Casing Driller Size @ Depth	0.000 in @ 3238 m
Casing Schlumberger	3236 m
Bit Size	9.875 in
Type Fluid In Hole	
Density	1.1 g/cm3
Fluid Loss	
PH	
Source Of Sample	
RM @ Measured Temperature	@
RMF @ Measured Temperature	@
RMC @ Measured Temperature	@
Source RMF	
RM @ MRT	@
RMF @ MRT	@
Maximum Recorded Temperatures	
Circulation Stopped	9-12-01
Time	1300
Logger On Bottom	0
Time	See Log
Unit Number	99
Location	Houston
Recorded By	Steve Kittridge
Witnessed By	Trevor Williams

Logging Date	
Run Number	
Depth Driller	
Schlumberger Depth	
Bottom Log Interval	
Top Log Interval	
Casing Driller Size @ Depth	
Casing Schlumberger	
Bit Size	
Type Fluid In Hole	
Density	
Fluid Loss	
PH	
Source Of Sample	
RM @ Measured Temperature	@
RMF @ Measured Temperature	@
RMC @ Measured Temperature	@
Source RMF	
RM @ MRT	@
RMF @ MRT	@
Maximum Recorded Temperatures	
Circulation Stopped	
Time	
Logger On Bottom	
Time	
Unit Number	
Location	
Recorded By	
Witnessed By	

DISCLAIMER
 THE USE OF AND RELIANCE UPON THIS RECORDED-DATA BY THE HEREIN NAMED COMPANY (AND ANY OF ITS AFFILIATES, PARTNERS, REPRESENTATIVES, AGENTS, CONSULTANTS AND EMPLOYEES) IS SUBJECT TO THE TERMS AND CONDITIONS AGREED UPON BETWEEN SCHLUMBERGER AND THE COMPANY, INCLUDING: (a) RESTRICTIONS ON USE OF THE RECORDED-DATA; (b) DISCLAIMERS AND WAIVERS OF WARRANTIES AND REPRESENTATIONS REGARDING COMPANY'S USE OF AND RELIANCE UPON THE RECORDED-DATA; AND (c) CUSTOMER'S FULL AND SOLE RESPONSIBILITY FOR ANY INFERENCE DRAWN OR DECISION MADE IN CONNECTION WITH THE USE OF THIS RECORDED-DATA.

OTHER SERVICES1
 OS1: GHMT/NGTC
 OS2: MESTB/NGTC/DSI.
 OS3:
 OS4:
 OS5:

OTHER SERVICES2
 OS1:
 OS2:
 OS3:
 OS4:
 OS5:

REMARKS: RUN NUMBER 1
 Toolstring- DITE/HLDS/APS/HNGS//MGT
 WHC NOT Used on this run.
 Seas calm.
 Log Measured in Meters Below Rig Floor (MBRF).
 Total Depth Driller- 3734.5 MBRF.
 Sea Floor Driller- 3111.7 MBRF.
 Total Depth Logger- 3733 MBRF.
 Sea Floor Logger- 3111 MBRF.
 Drill Pipe Logger- 3236 MBRF.
 No repeat log run.
 MGT tool run after main log.

REMARKS: RUN NUMBER 2

RUN 1
 SERVICE ORDER #:
 PROGRAM VERSION: 9C2-303
 FLUID LEVEL:

RUN 2
 SERVICE ORDER #:
 PROGRAM VERSION:
 FLUID LEVEL:

LOGGED INTERVAL	START	STOP


LOGGED INTERVAL	START	STOP



EQUIPMENT DESCRIPTION



RUN 1
SURFACE EQUIPMENT
 SFT-281 24
 SFT-178 4722
 GSR-U 135
 WITM (DTS)-A

RUN 2

DOWNHOLE EQUIPMENT

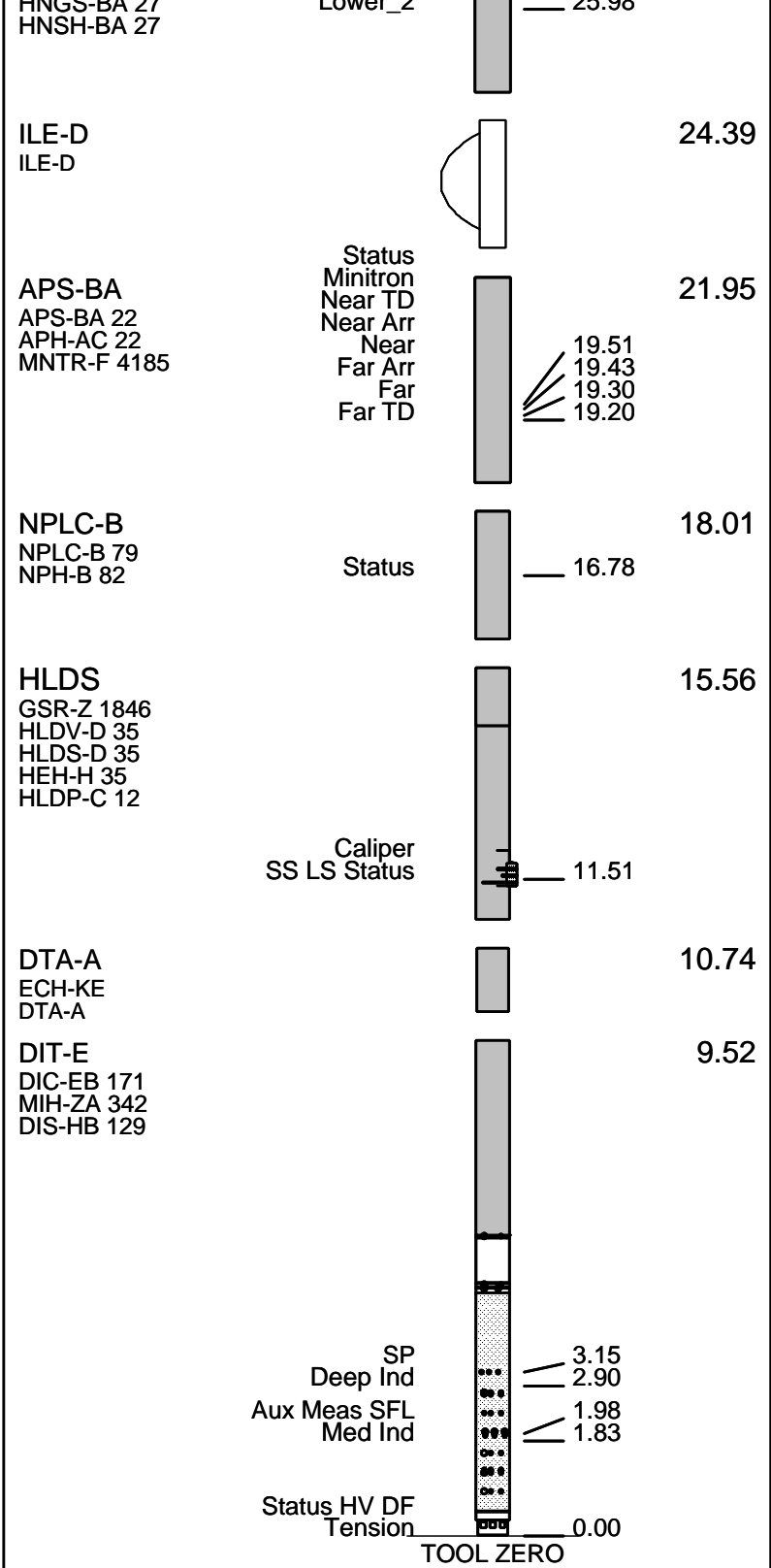
LEH-QT  28.69
 LEH-QT

DTC-H  27.52
 ECH-KC  26.89

HNGS-BA  26.19
 HNGS BA 27  25.08

CTEM
 TelStatus
 ToolStatu

Upper_1
 Lower_2



MAXIMUM STRING DIAMETER 3.88 IN
 MEASUREMENTS RELATIVE TO TOOL ZERO
 ALL LENGTHS IN METERS

Output DLIS Files

DEFAULT
 PI_LDL_APS_HNGS_016LUP
 FN:5
 PRODUCER
 12-Sep-2001 19:28
 3733.0 M
 3103.5 M

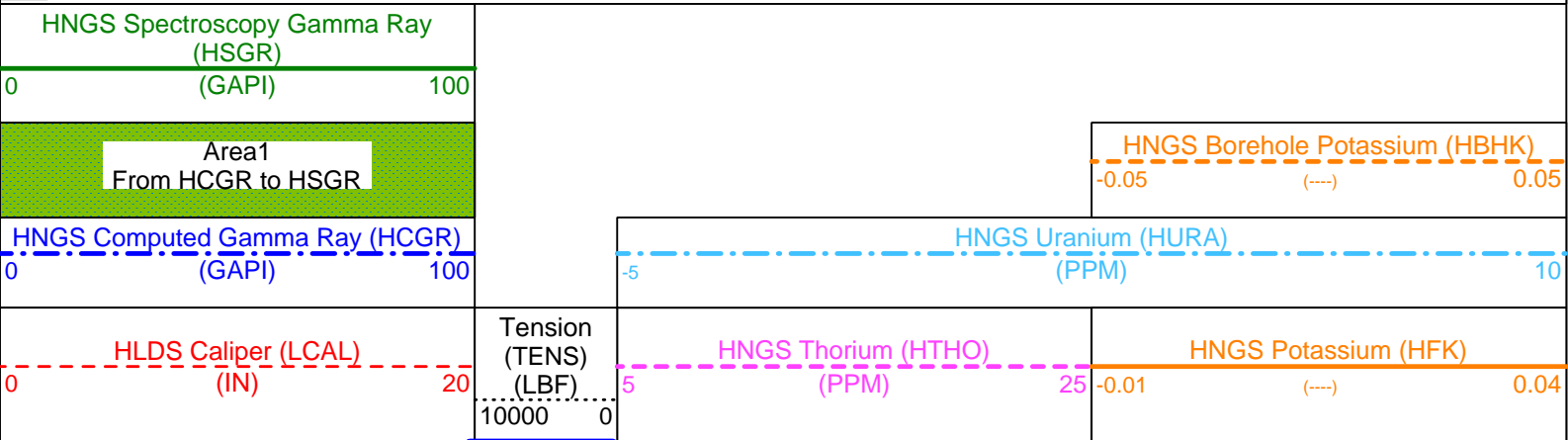
OP System Version: 9C2-303
 MCM

MAIN UP LOG

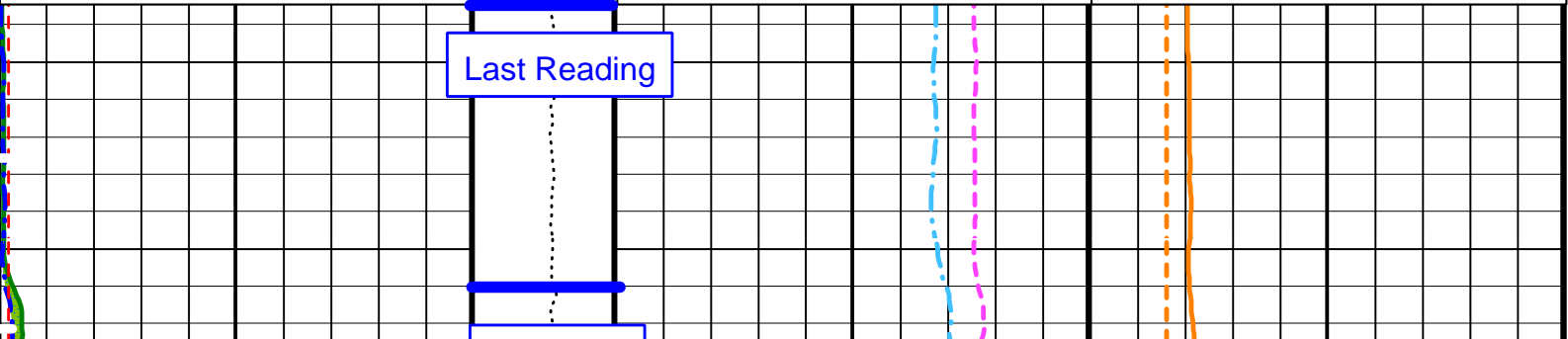
DIT-E	9C2-303	DTA-A	9C2-303
HLDS	9C2-303	NPLC-B	9C2-303
APS-BA	9C2-303	HNGS-BA	9C2-303
DTC-H	9C2-303		

PIP SUMMARY

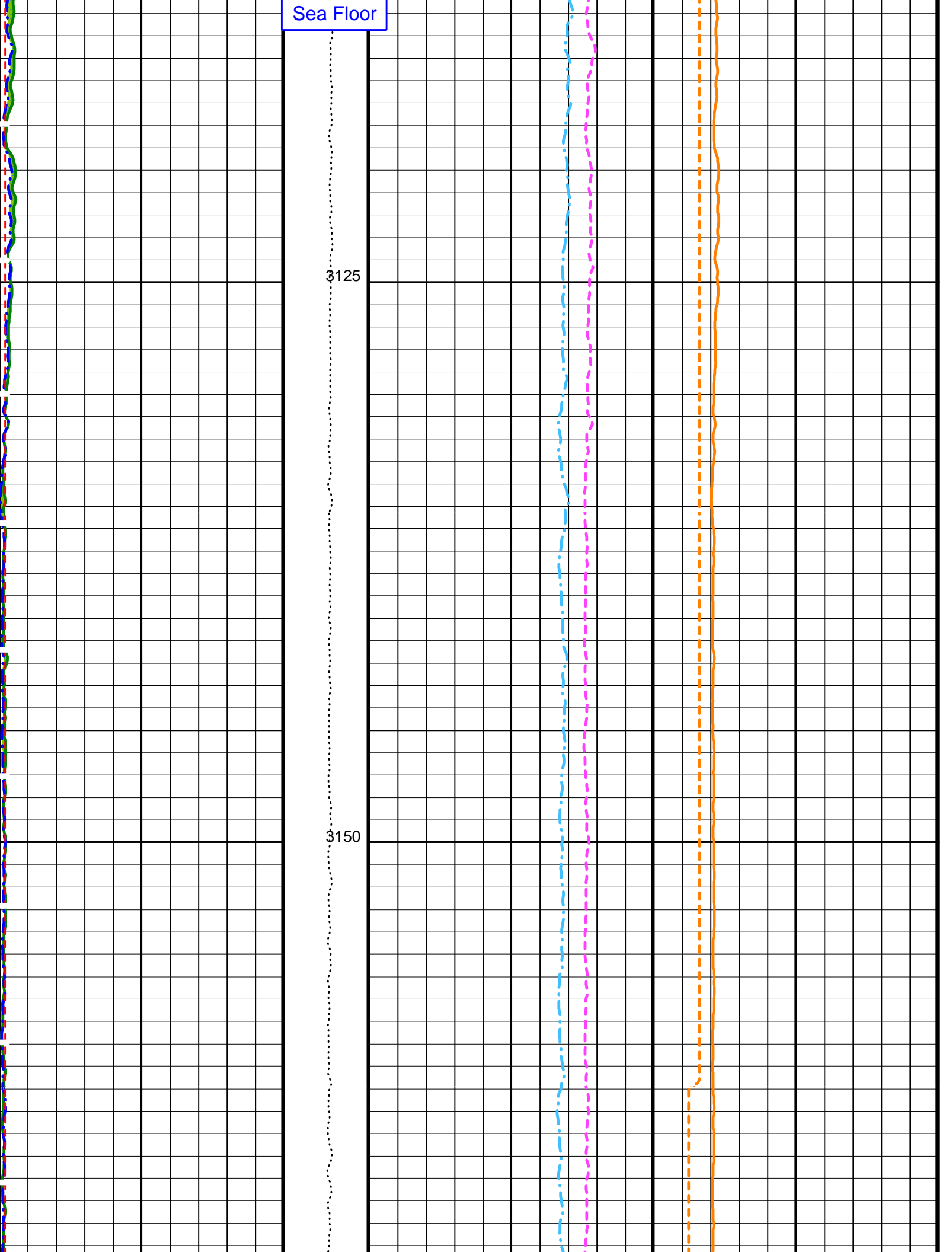
▶ Time Mark Every 60 S

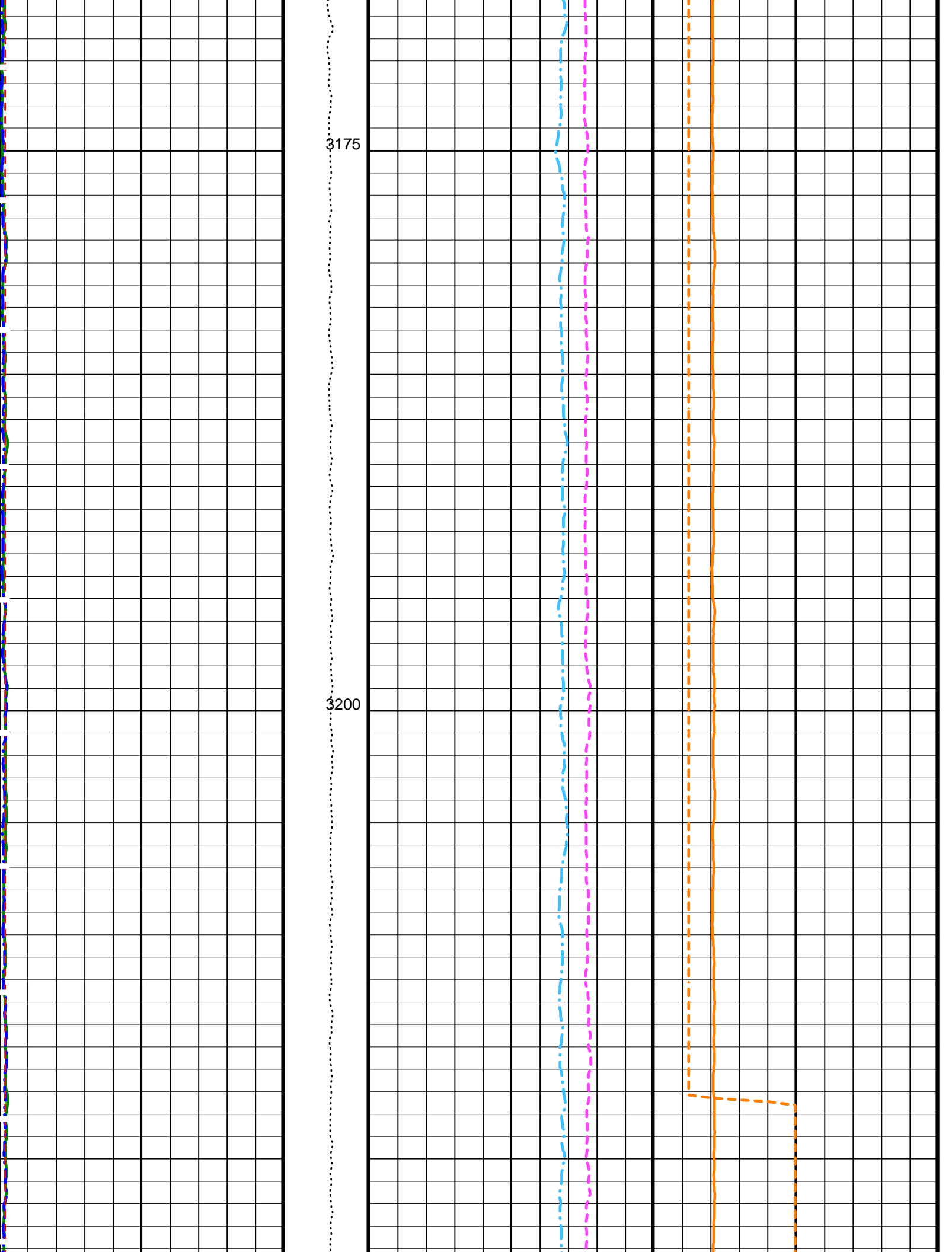


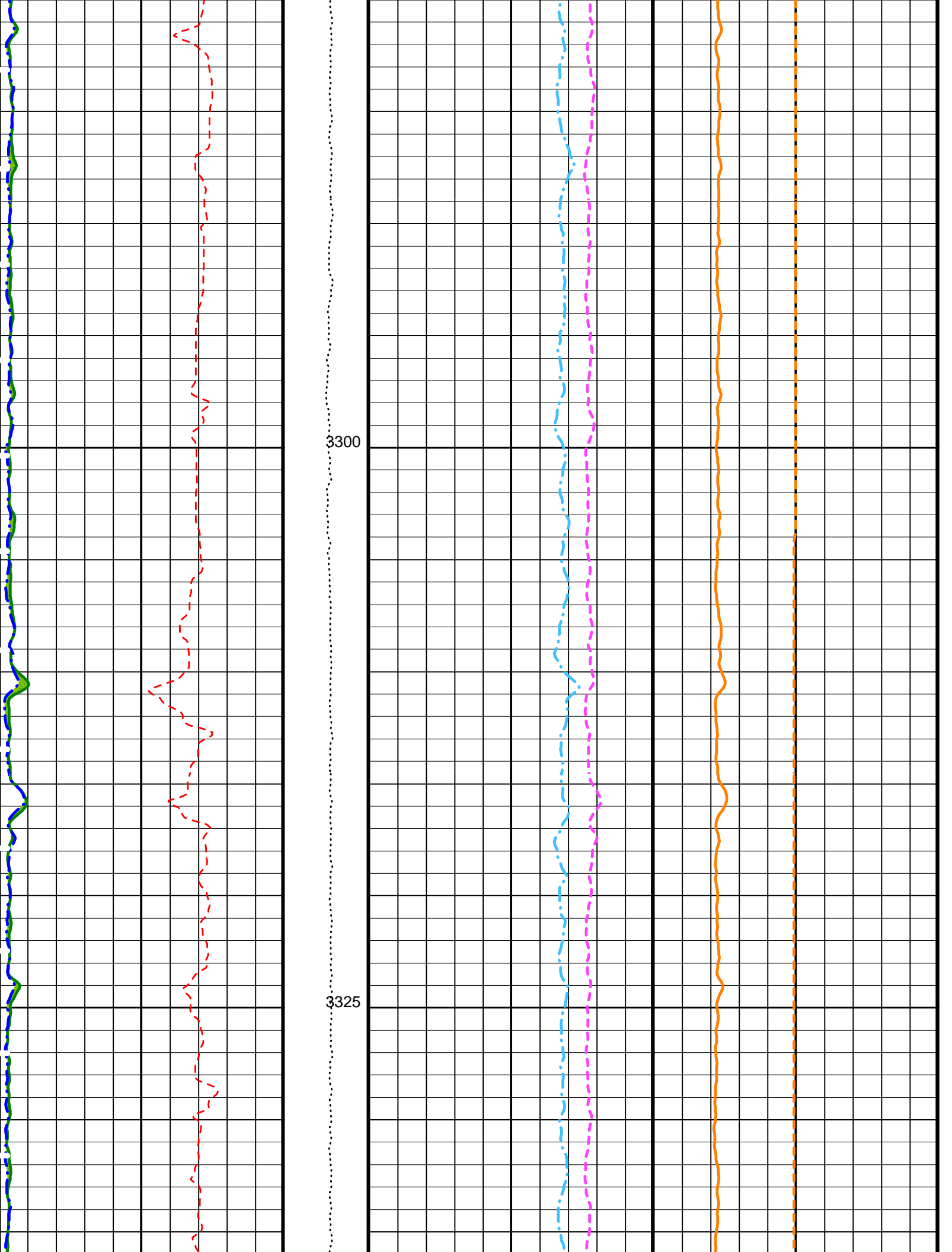
Last Reading

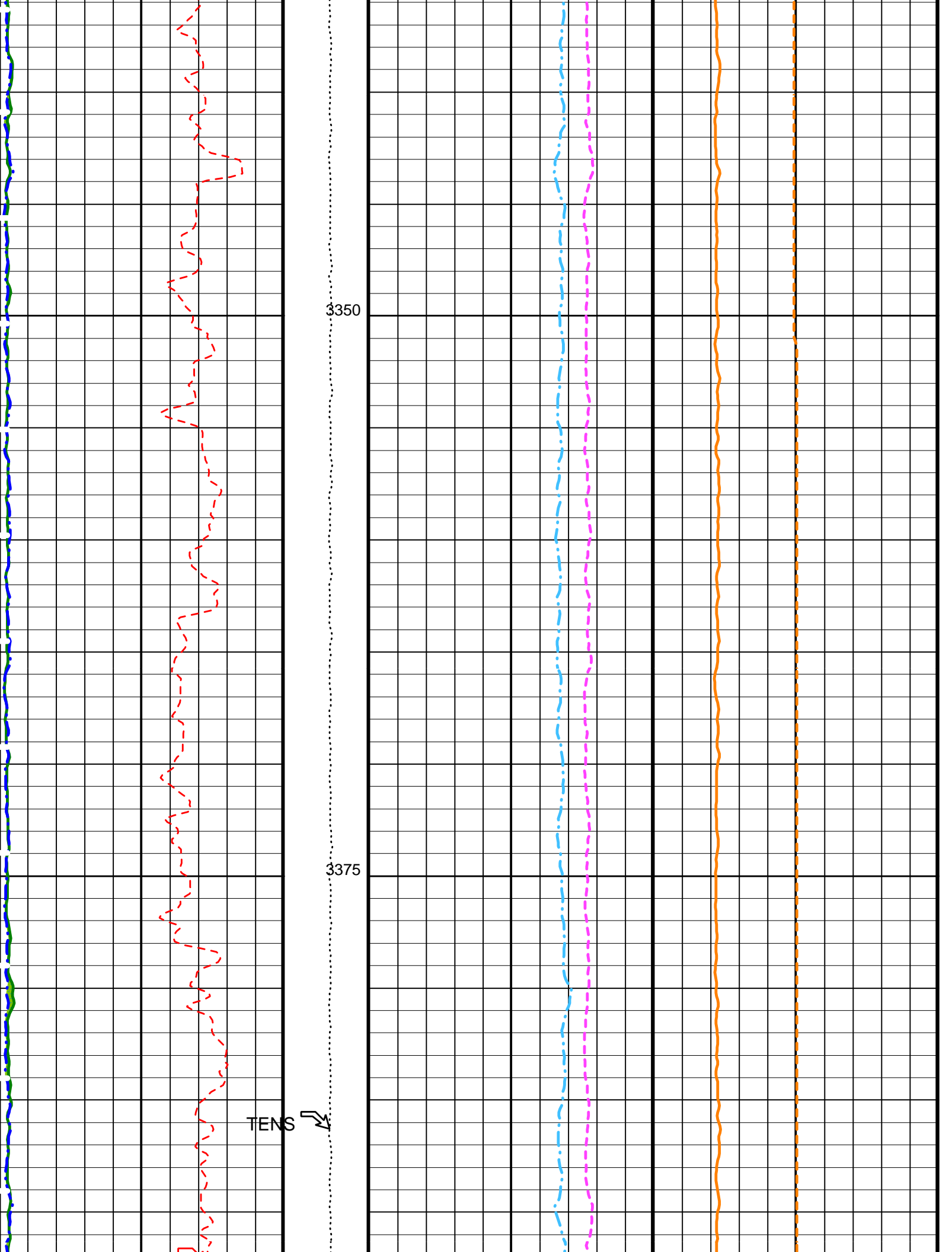


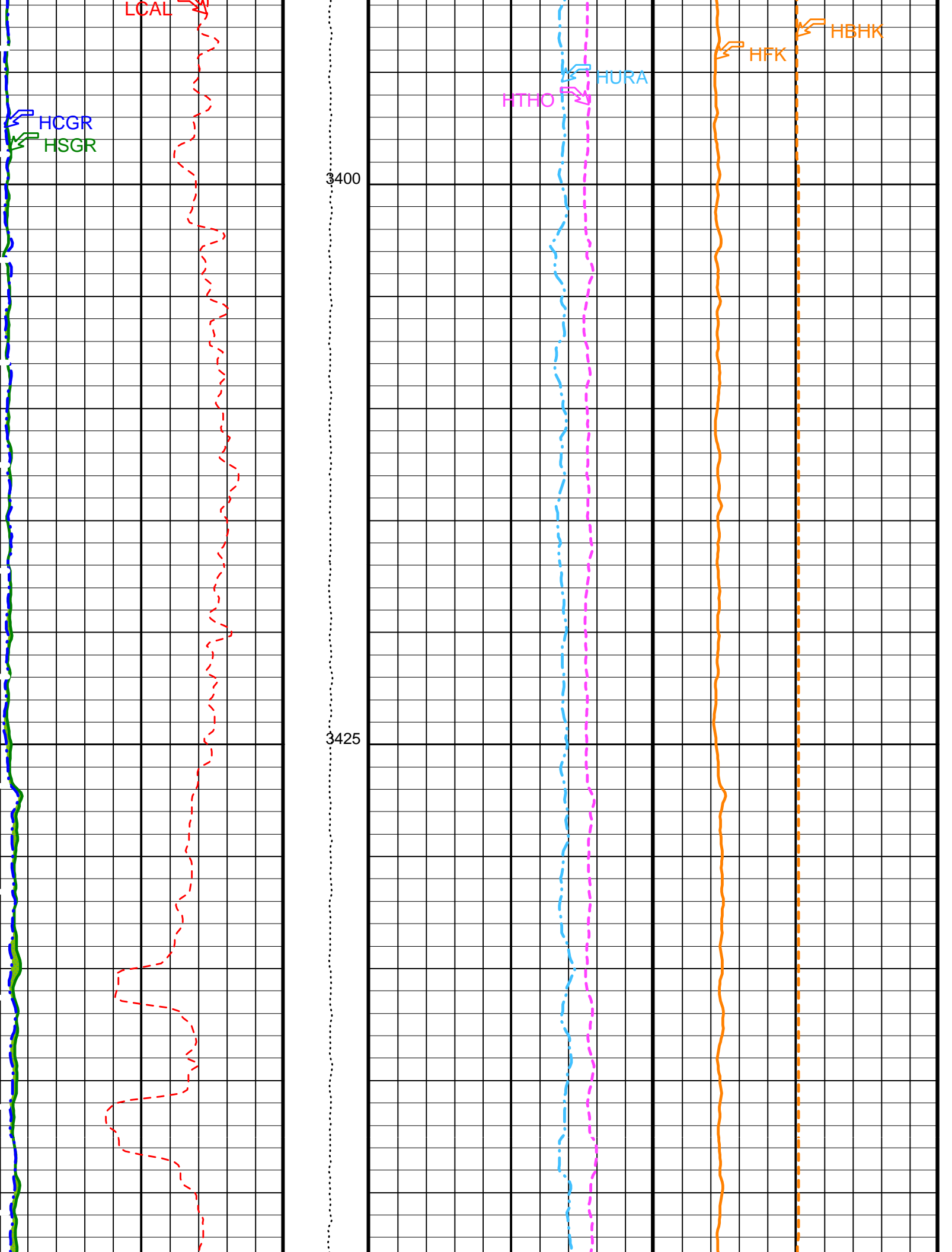
Sea Floor

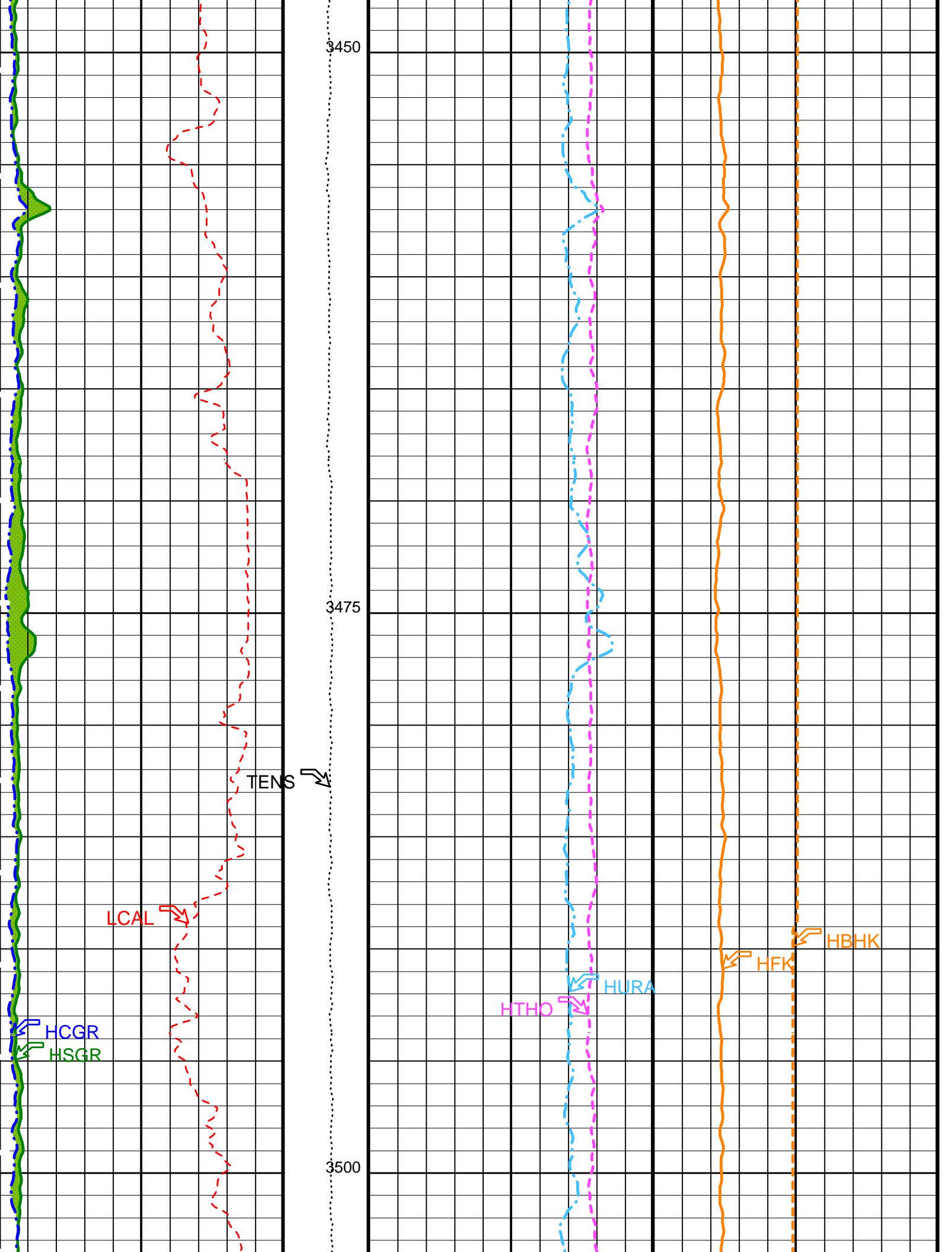


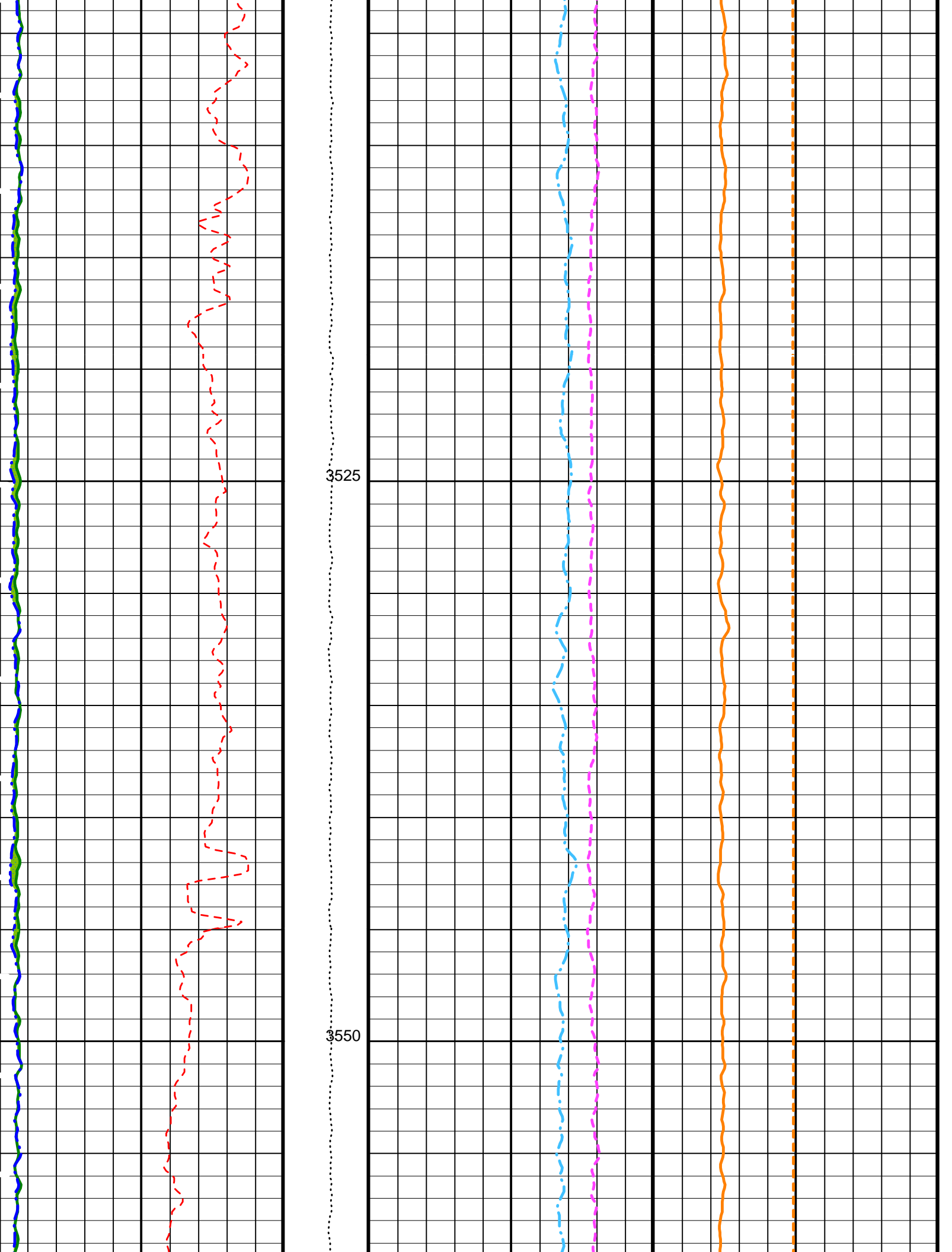


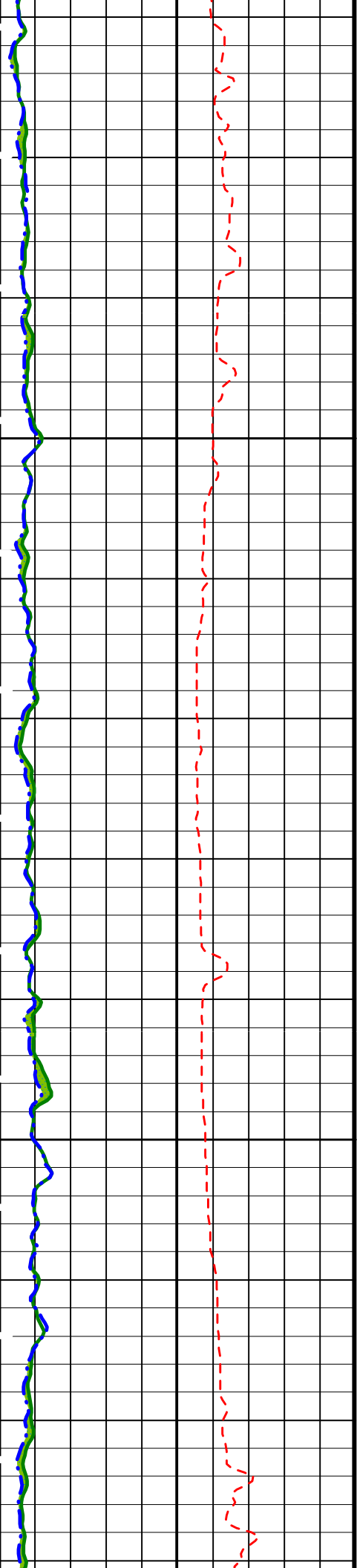






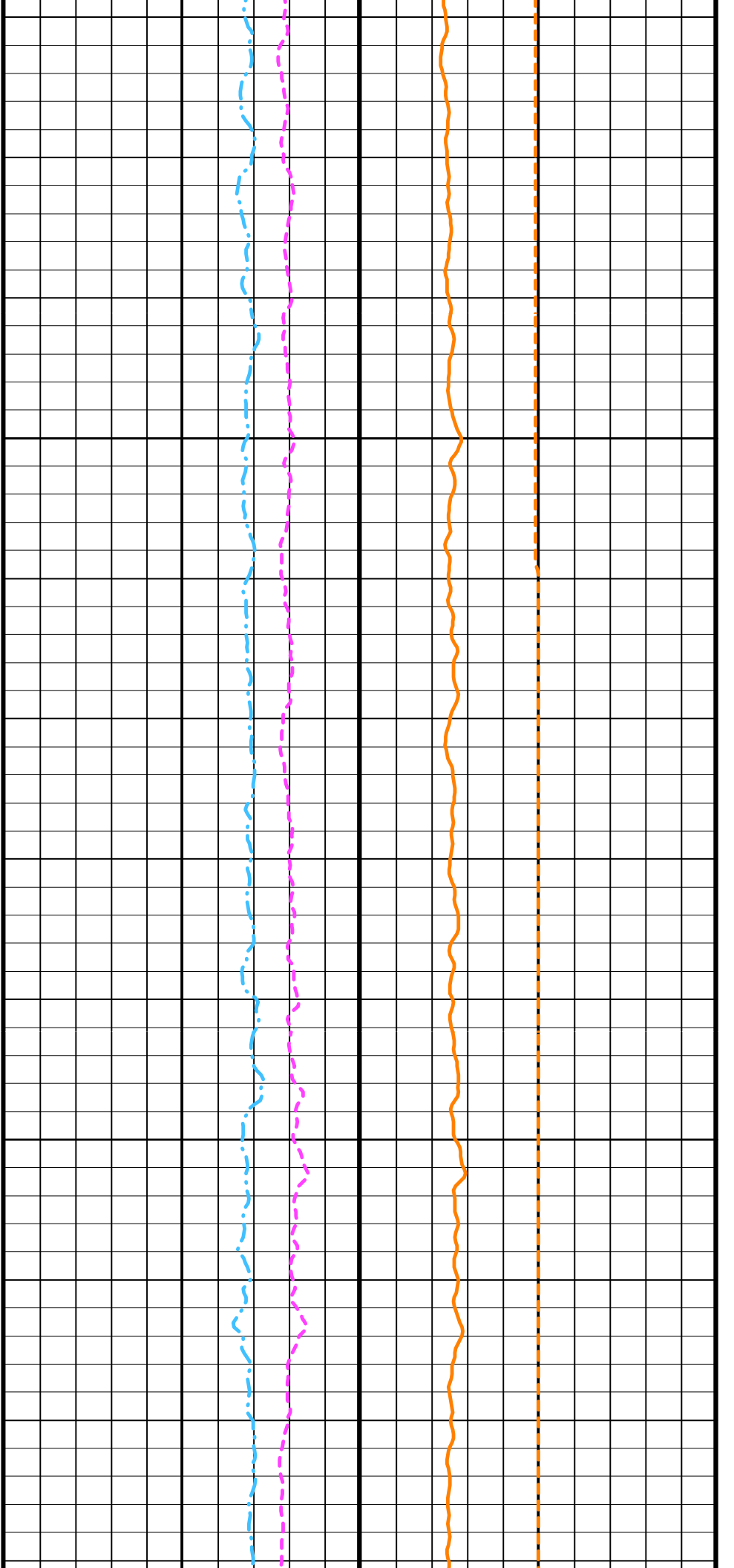


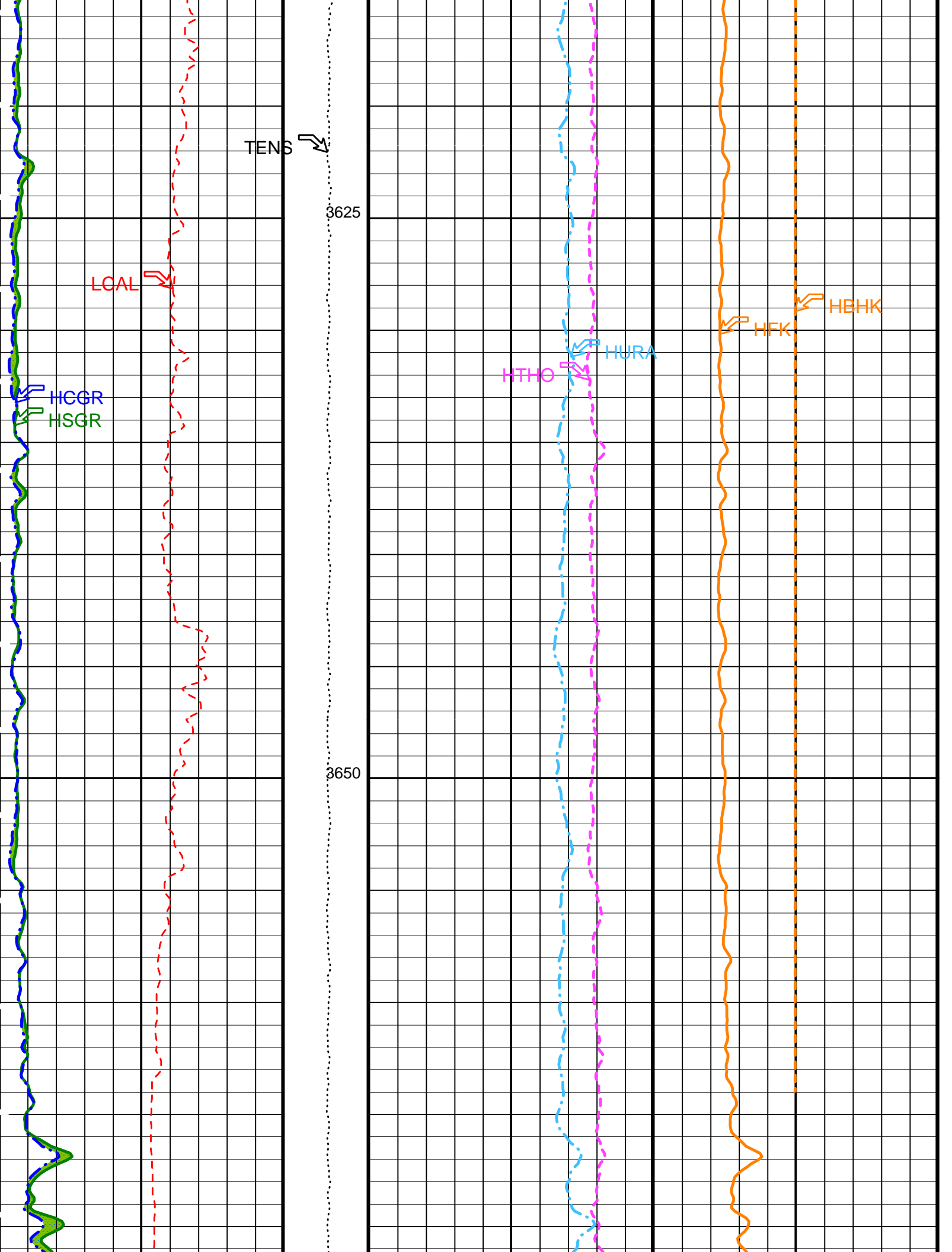


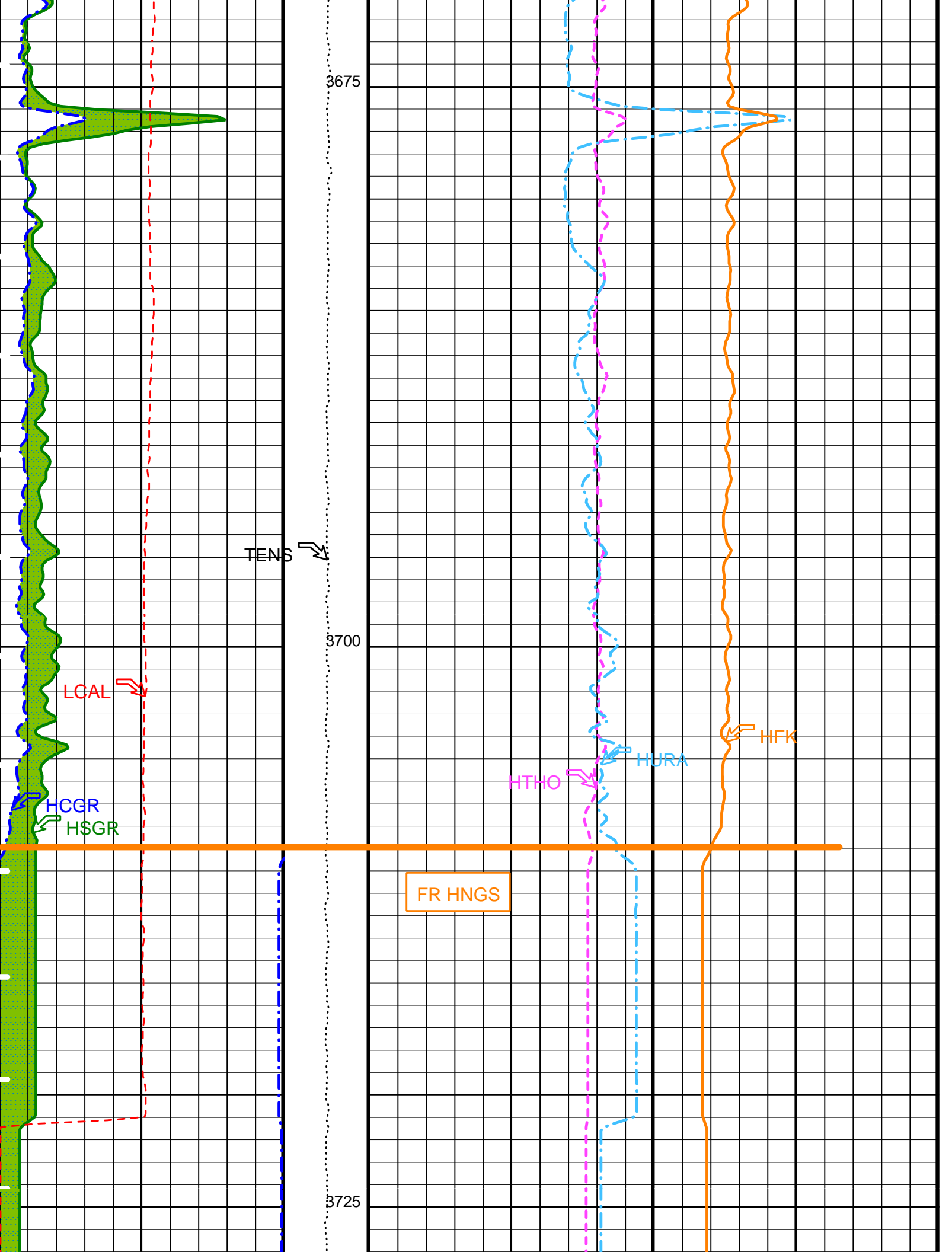


3575

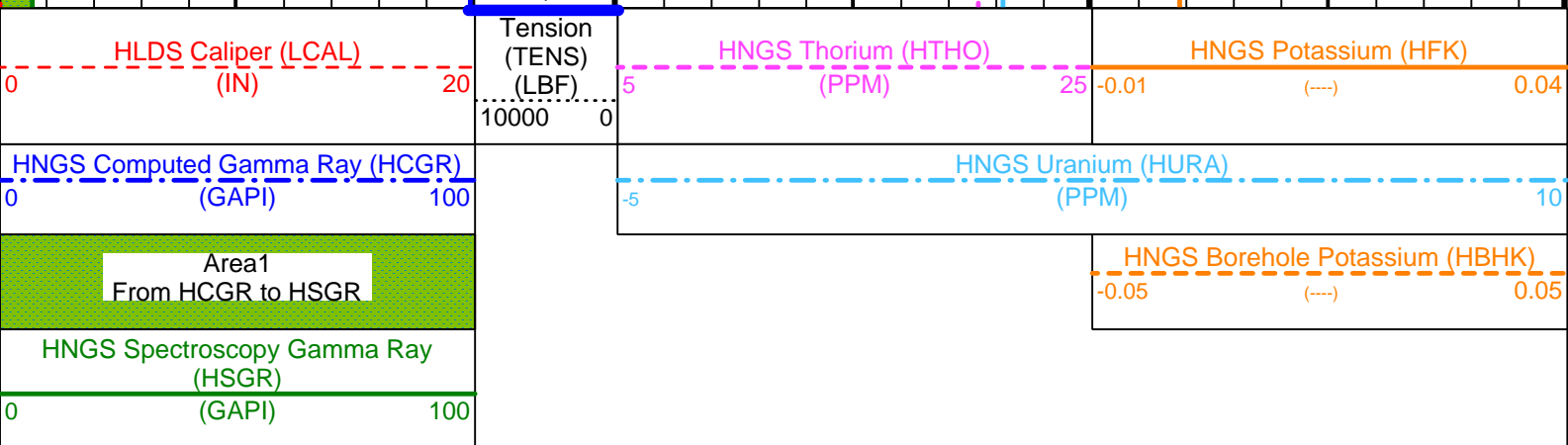
3600







Total Depth



PIP SUMMARY

Time Mark Every 60 S

Parameters

DLIS Name	Description	Value	
BAR1	HNGS Detector 1 Barite Constant	1	
BAR2	HNGS Detector 2 Barite Constant	1	
BHK	HNGS Borehole Potassium Correction Concentration	0	
BHS	Borehole Status	OPEN	
BKSF	HNGS Borehole Fluid Excluder Sleeve Algorithm Factor	1	
BKSH	HNGS Borehole Fluid Excluder Sleeve Algorithm High Channel	245	
BKSL	HNGS Borehole Fluid Excluder Sleeve Algorithm Low Channel	17	
BS	Bit Size	9.875	IN
CSD1	Inner Casing Outer Diameter	0	IN
CSD2	Outer Casing Outer Diameter	0	IN
CSW1	Inner Casing Weight	0	LB/F
CSW2	Outer Casing Weight	0	LB/F
D1PR	HNGS Detector 1 Calibration Thorium Peak Resolution	8.01304	%
D1TC	HNGS Detector 1 Calibration Temperature	29.8261	DEGC
D1TL	HNGS Detector 1 Calibration Thorium Peak Location	211	
D2PR	HNGS Detector 2 Calibration Thorium Peak Resolution	6.90264	%
D2TC	HNGS Detector 2 Calibration Temperature	28.7844	DEGC
D2TL	HNGS Detector 2 Calibration Thorium Peak Location	210.691	
DBCC	HNGS Barite Constant Correction Flag	NONE	
DFD	Drilling Fluid Density	1.10	G/C3
GCF1_START	HNGS Detector 1 GCF Constant	1	
GCF2_START	HNGS Detector 2 GCF Constant	1	
GCSE	Generalized Caliper Selection	LCAL	
H1P	HNGS Detector 1 Allow/Disallow In Processing	ALLOW	
H2P	HNGS Detector 2 Allow/Disallow In Processing	ALLOW	
HABK	HNGS Borehole Potassium Running Average	0	
HALF	HNGS Alpha Filter Length	60	IN
HATIM	HNGS Marquardt Accumulation Time	600	S
HCRB	HNGS Apply Borehole Potassium Correction	NONE	
HMWM	Mud Weighting Material	NATU	
HNPE	HNGS Processing Enable	YES	
HSLV	HNGS Borehole Fluid Excluder Sleeve Status	NO	
HSVN	HNGS Spectral Standards Version Number	5.91627e-030	
MARQ_START	HNGS Marquardt Start-up Mode	INTERNAL	
RDF1_START	HNGS Detector 1 RDF Constant	0	
RDF2_START	HNGS Detector 2 RDF Constant	0	
S1BI	HNGS Detector 1 Calibration Bismuth Count Rate	1.3	CPS
S1NA	HNGS Detector 1 Calibration Sodium Count Rate	19.1459	CPS
S1NG	HNGS Detector 1 Calibration End-On / Side-On Gain Ratio	0.985141	
S2BI	HNGS Detector 2 Calibration Bismuth Count Rate	1.3	CPS
S2NA	HNGS Detector 2 Calibration Sodium Count Rate	19.1691	CPS
S2NG	HNGS Detector 2 Calibration End-On / Side-On Gain Ratio	0.990236	
SABK	HNGS Statistical Uncertainty in Borehole Potassium Running Average	-999.25	
SGRC	HNGS Standard Gamma-Ray Correction Flag	YES	
TPOS	Tool Position	ECCE	
VBA1	HNGS Detector 1 Variable Barite Factor Running Average	0	
VBA2	HNGS Detector 2 Variable Barite Factor Running Average	0	

OP System Version: 9C2-303
MCM

DIT-E	9C2-303	DTA-A	9C2-303
HLDS	9C2-303	NPLC-B	9C2-303
APS-BA	9C2-303	HNGS-BA	9C2-303
DTC-H	9C2-303		

Output DLIS Files

DEFAULT PI_LDL_APS_HNGS_016LUP FN:5 PRODUCER 12-Sep-2001 19:28

COMPANY: Lamont Doherty

WELL: ODP Leg 198, Site 1207-B

FIELD: Shatsky Rise

Country: Japan

Ocean: Pacific Ocean

BOTTOM LOG INTERVAL	3731 m
SCHLUMBERGER DEPTH	3733 m
DEPTH DRILLER	3734.5 m
KELLY BUSHING	11.3 m
DRILL FLOOR	11 m
GROUND LEVEL	-3111.7 m



Natural Gamma Ray Log