

COMPANY: Lamont Doherty

WELL: ODP Leg 198, Site 1213-B

FIELD: Shatsky Rise

Country: Japan Ocean: Pacific Ocean

Country: Japan
Field: Shatsky Rise
Location: Rig- Joides Resolution
Well: ODP Leg 198, Site 1213-B
Company: Lamont Doherty



Density//APS Porosity

LOCATION		Rig- Joides Resolution		Elev.: K.B. 11.3 m G.L. -3894 m D.F. 11 m	
Permanent Datum:		GROUND LEVEL		Elev.: _____	
Log Measured From: _____		DES		above Perm. Datum	
Drilling Measured From: _____		DES			
API Serial No. _____		Max. Hole Devi. _____		Longitude E 157.2976 Latitude N 31.5776	

Logging Date	Run 1	Run 2	Run
Run Number			
Depth Driller			
Schlumberger Depth			
Bottom Log Interval			
Top Log Interval			
Casing Driller Size @ Depth			
Casing Schlumberger			
Bit Size			
Type Fluid In Hole			
Density			
Fluid Loss			
PH			
Source Of Sample			
RM @ Measured Temperature			
RMF @ Measured Temperature			
RMC @ Measured Temperature			
Source RMF			
RM @ MRT			
RMF @ MRT			
Maximum Recorded Temperatures			
Circulation Stopped			
Time			
Logger On Bottom			
Time			
Unit Number			
Location			
Recorded By			
Steve Kitredge			
Witnessed By			
Trevor Williams			

Logging Date	10-9-01
Run Number	1
Depth Driller	4388.4 m
Schlumberger Depth	4324.5 m
Bottom Log Interval	4323 m
Top Log Interval	4082.5 m
Casing Driller Size @ Depth	0.000 in @ 3984 m
Casing Schlumberger	3984 m
Bit Size	9.875 in
Type Fluid In Hole	Sepiolite
Density	1.1 g/cm3
Fluid Loss	PH
Source Of Sample	
RM @ Measured Temperature	@
RMF @ Measured Temperature	@
RMC @ Measured Temperature	@
Source RMF	RMC
RM @ MRT	@
RMF @ MRT	@
Maximum Recorded Temperatures	
Circulation Stopped	Time 10-9-01
Time	2100
Logger On Bottom	Time 0
Time	See Log
Unit Number	99
Location	Houston
Recorded By	Steve Kitredge
Witnessed By	Trevor Williams

Logging Date	Run 1	Run 2	Run
Run Number			
Depth Driller			
Schlumberger Depth			
Bottom Log Interval			
Top Log Interval			
Casing Driller Size @ Depth			
Casing Schlumberger			
Bit Size			
Type Fluid In Hole			
Density			
Fluid Loss			
PH			
Source Of Sample			
RM @ Measured Temperature			
RMF @ Measured Temperature			
RMC @ Measured Temperature			
Source RMF			
RM @ MRT			
RMF @ MRT			
Maximum Recorded Temperatures			
Circulation Stopped			
Time			
Logger On Bottom			
Time			
Unit Number			
Location			
Recorded By			
Steve Kitredge			
Witnessed By			
Trevor Williams			

DISCLAIMER
 THE USE OF AND RELIANCE UPON THIS RECORDED-DATA BY THE HEREIN NAMED COMPANY (AND ANY OF ITS AFFILIATES, PARTNERS, REPRESENTATIVES, AGENTS, CONSULTANTS AND EMPLOYEES) IS SUBJECT TO THE TERMS AND CONDITIONS AGREED UPON BETWEEN SCHLUMBERGER AND THE COMPANY, INCLUDING: (a) RESTRICTIONS ON USE OF THE RECORDED-DATA; (b) DISCLAIMERS AND WAIVERS OF WARRANTIES AND REPRESENTATIONS REGARDING COMPANY'S USE OF AND RELIANCE UPON THE RECORDED-DATA; AND (c) CUSTOMER'S FULL AND SOLE RESPONSIBILITY FOR ANY INFERENCE DRAWN OR DECISION MADE IN CONNECTION WITH THE USE OF THIS RECORDED-DATA.

OTHER SERVICES1
 OS1:
 OS2: None
 OS3:
 OS4:
 OS5:

OTHER SERVICES2
 OS1:
 OS2:
 OS3:
 OS4:
 OS5:

REMARKS: RUN NUMBER 1
 Toolstring- DITE/HLDS/APS/HNGS//MGT
 WHC Used on this run.
 Seas Moderate.
 Log Measured in Meters Below Rig Floor (MBRF).
 Total Depth Driller- 4388.4 MBRF.
 Sea Floor Driller- 3894 MBRF.
 Total Depth Logger- 4324.5 MBRF.
 Could not get to bottom due to hole problems.
 Log was stopped at 4082.5 due to severe overpull.
 No repeat log run.
 Could not close the caliper.
 No further logging attempted.

REMARKS: RUN NUMBER 2

RUN 1		
SERVICE ORDER #:		
PROGRAM VERSION:	9C2-303	
FLUID LEVEL:		
LOGGED INTERVAL	START	STOP

RUN 2		
SERVICE ORDER #:		
PROGRAM VERSION:		
FLUID LEVEL:		
LOGGED INTERVAL	START	STOP

EQUIPMENT DESCRIPTION




RUN 1

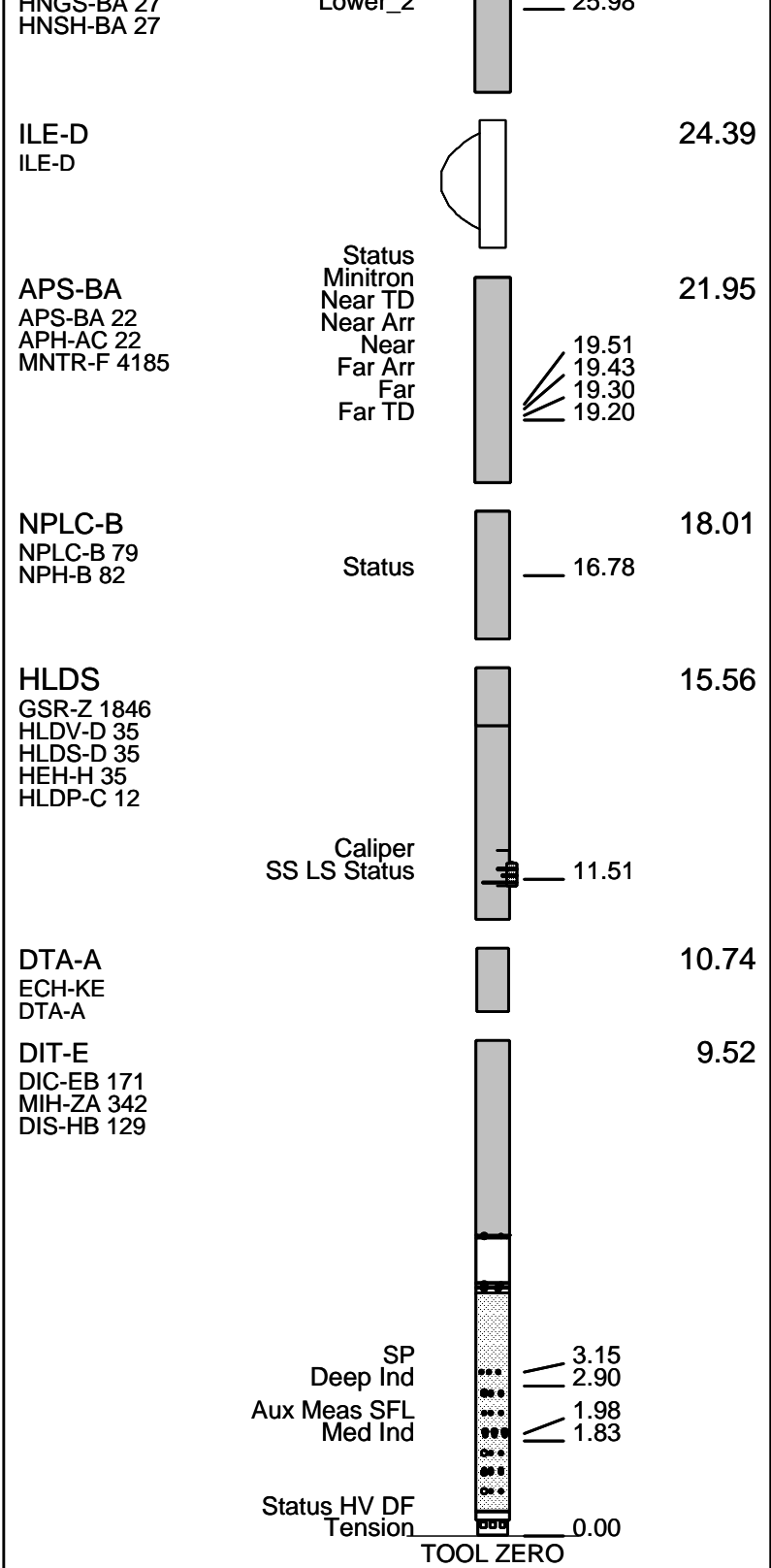
SURFACE EQUIPMENT

SFT-281 24
 SFT-178 4722
 GSR-U 135
 WITM (DTS)-A

RUN 2

DOWNHOLE EQUIPMENT

LEH-QT				28.69
LEH-QT				
DTC-H	CTEM		27.52	
ECH-KC	TelStatus		26.89	27.80
	ToolStatu			
HNGS-BA	Upper_1		26.19	26.89
UNGS BA 27	Lower_2		25.08	



MAXIMUM STRING DIAMETER 3.88 IN
 MEASUREMENTS RELATIVE TO TOOL ZERO
 ALL LENGTHS IN METERS

Output DLIS Files

DEFAULT	PI_LDL_APS_HNGS_004LUP	FN:4	PRODUCER	09-Oct-2001 06:03	4327.4 M	4082.8 M
TCOMB_CUST	PI_LDL_APS_HNGS_004LUP	FN:5	PRODUCER	09-Oct-2001 06:03	4327.4 M	4081.8 M

OP System Version: 9C2-303

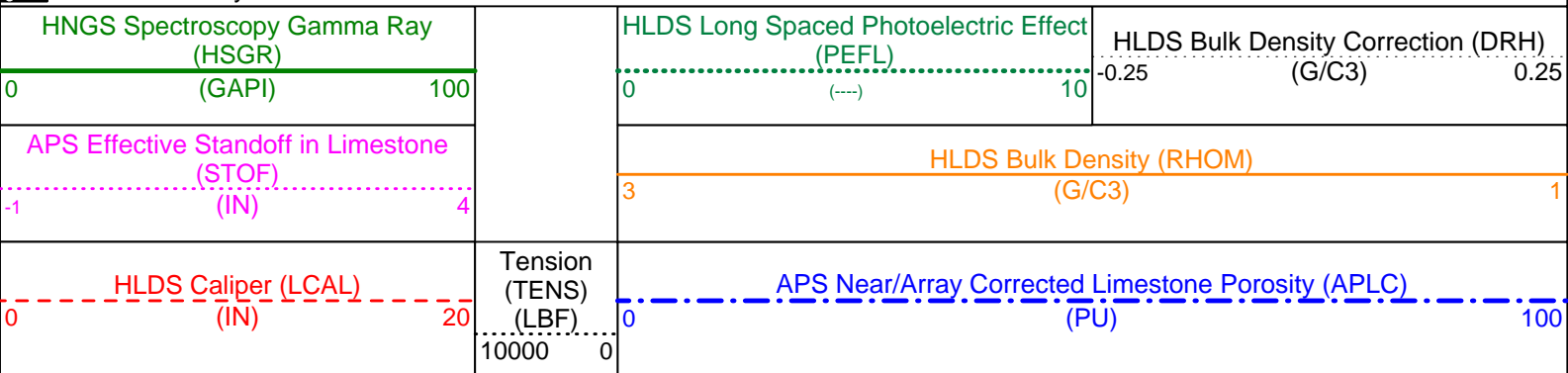
MCM

Main Up Log

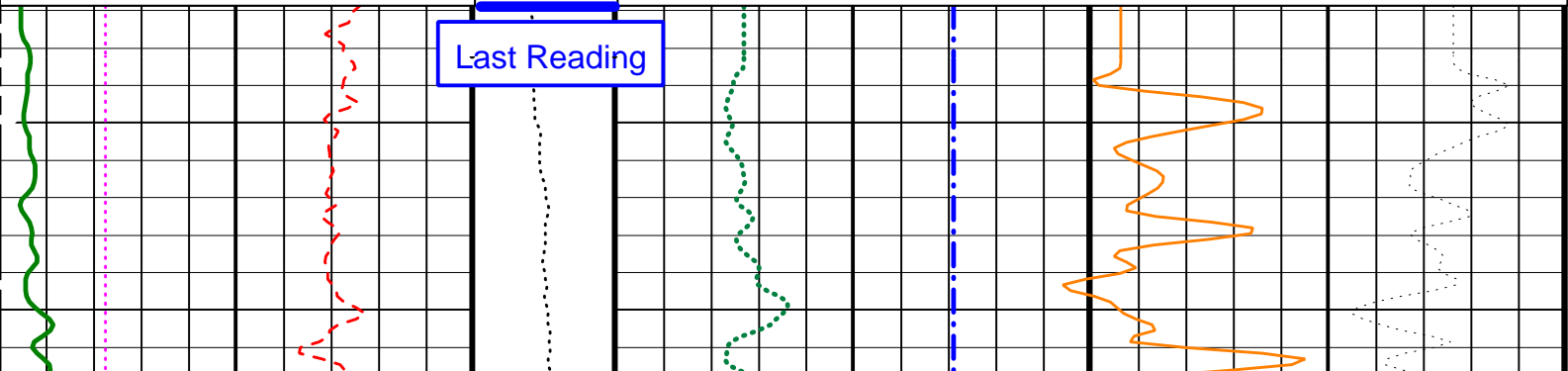
DIT-E	9C2-303	DTA-A	9C2-303
HLDS	9C2-303	NPLC-B	9C2-303
APS-BA	9C2-303	HNGS-BA	9C2-303
DTC-H	9C2-303		

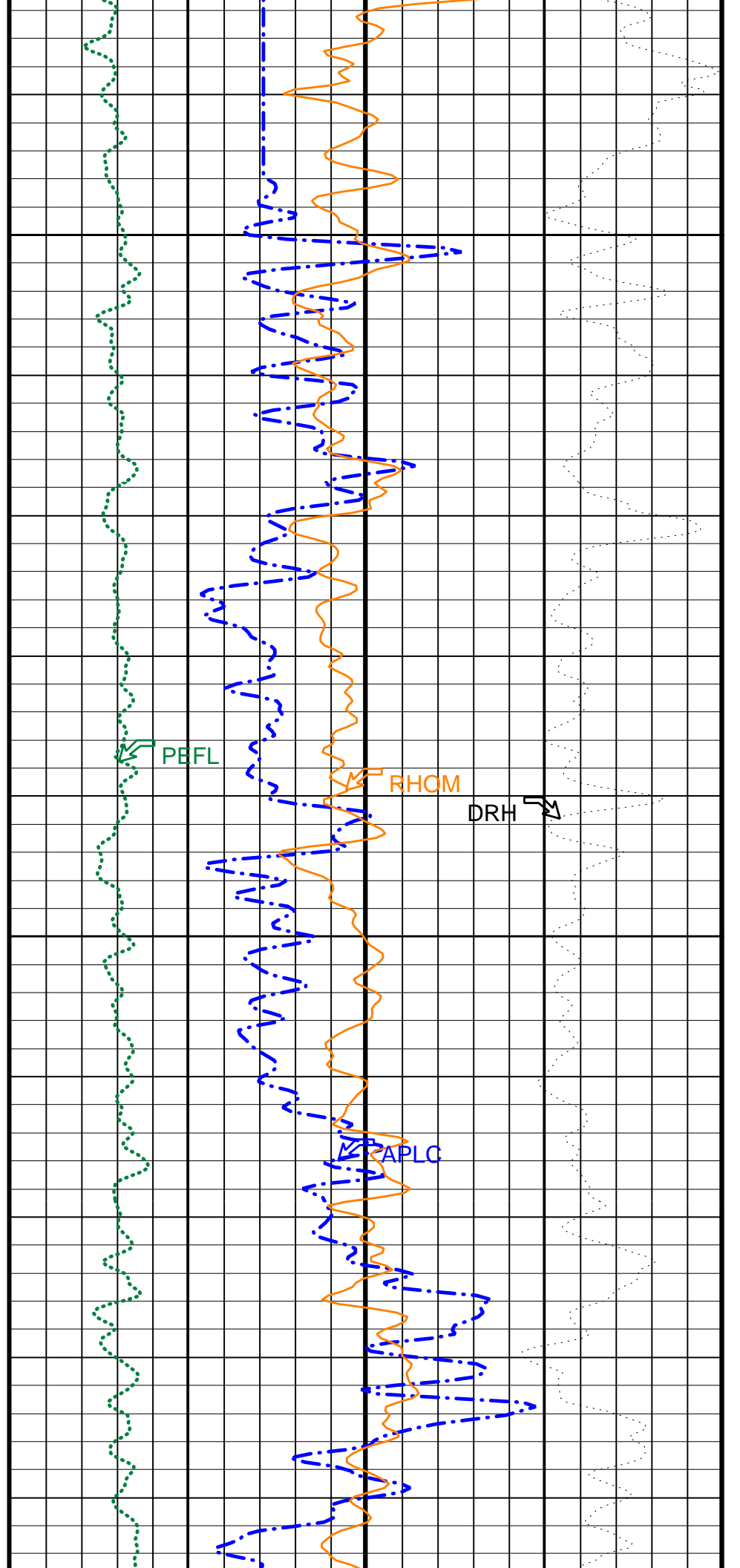
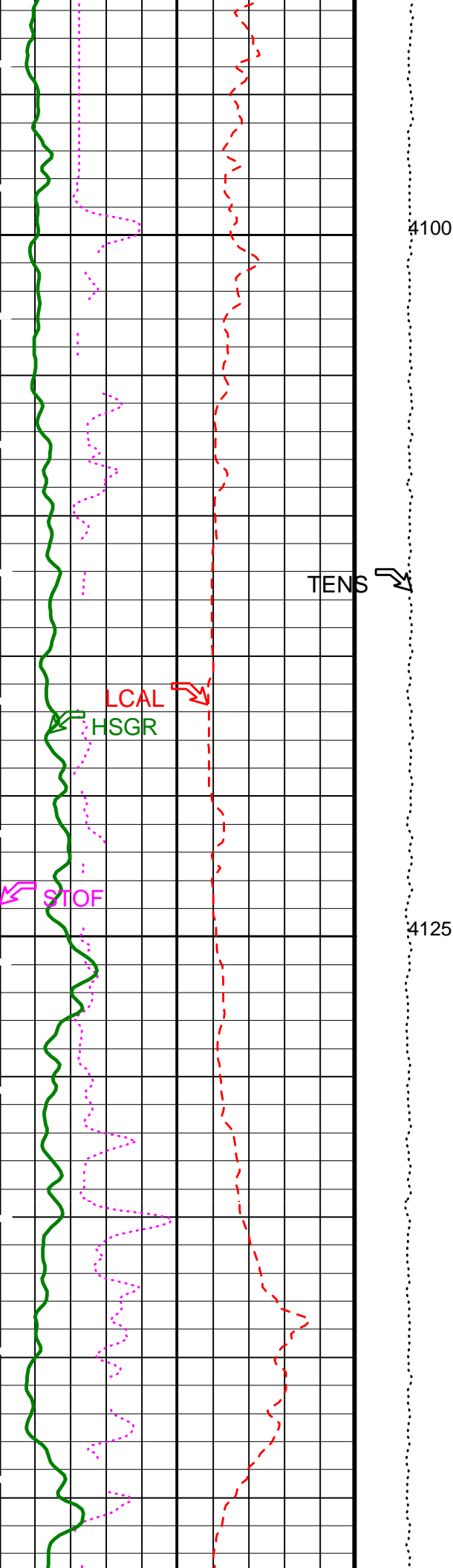
PIP SUMMARY

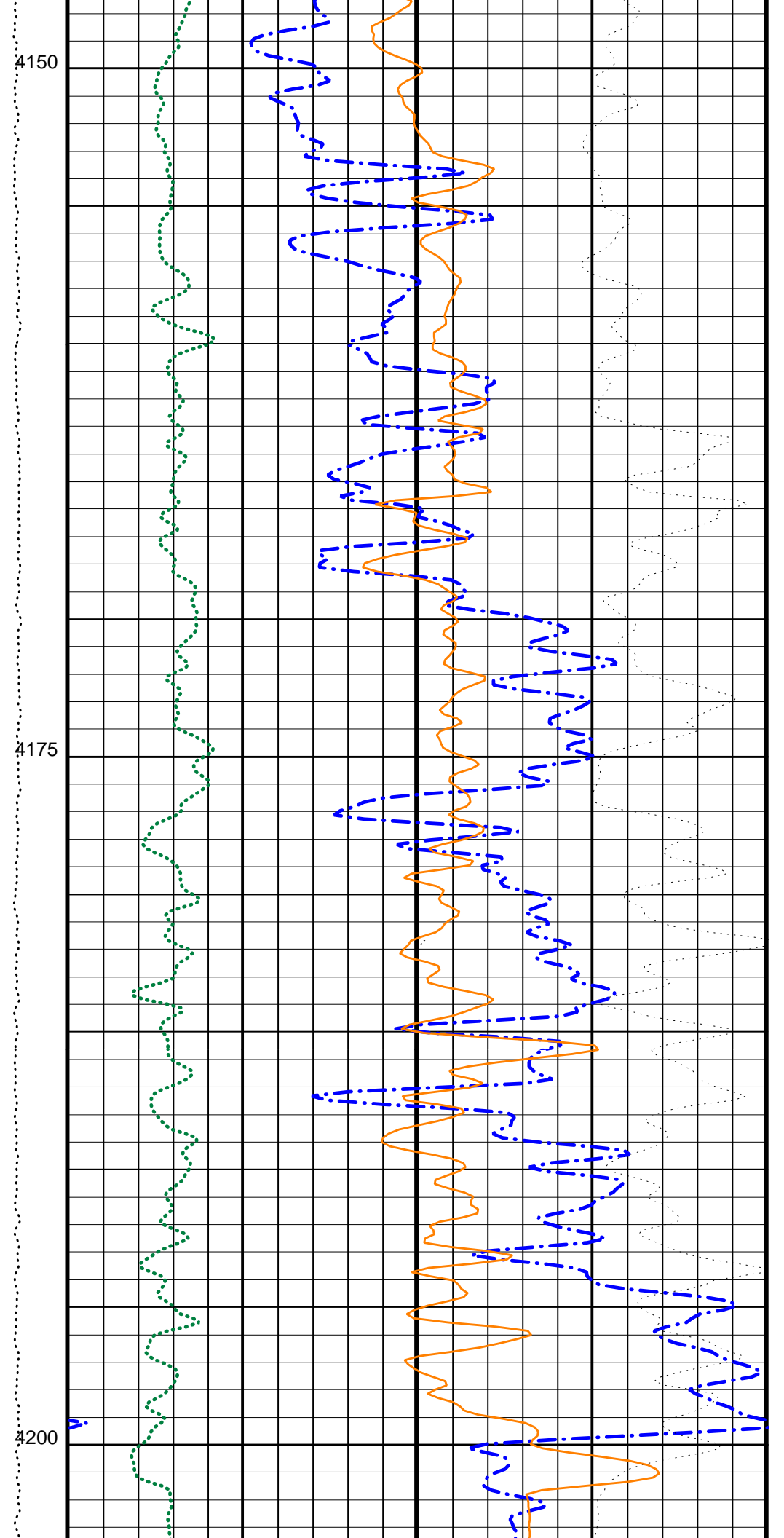
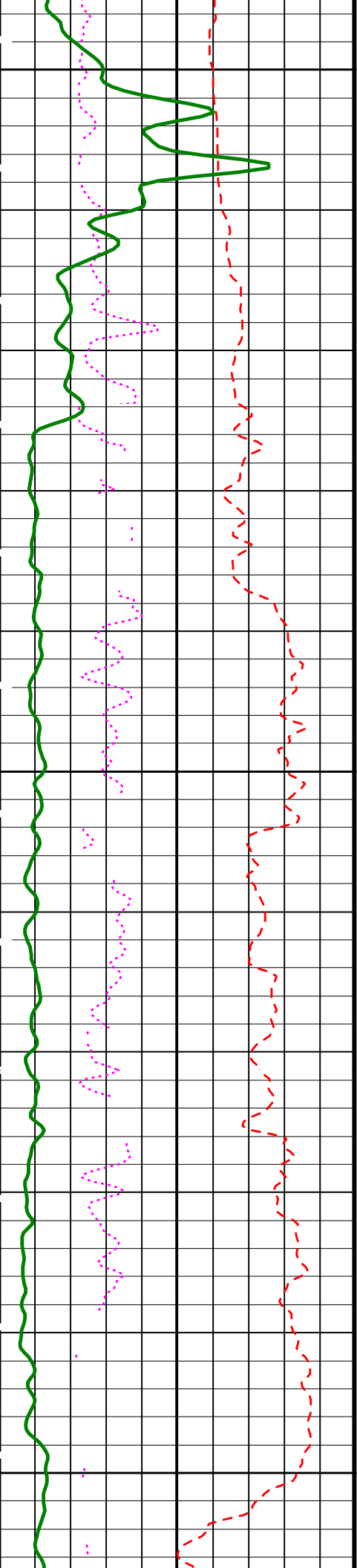
Time Mark Every 60 S

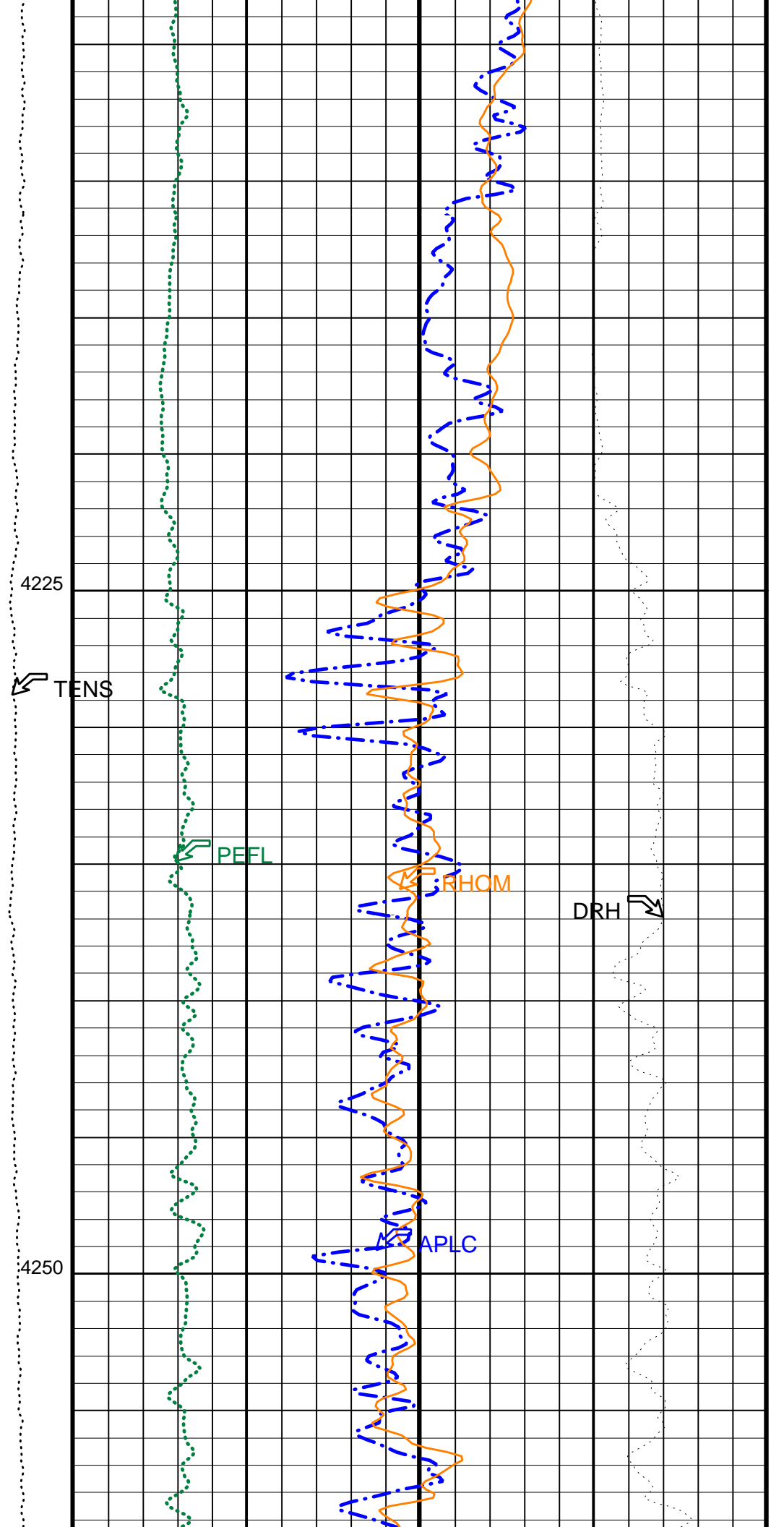
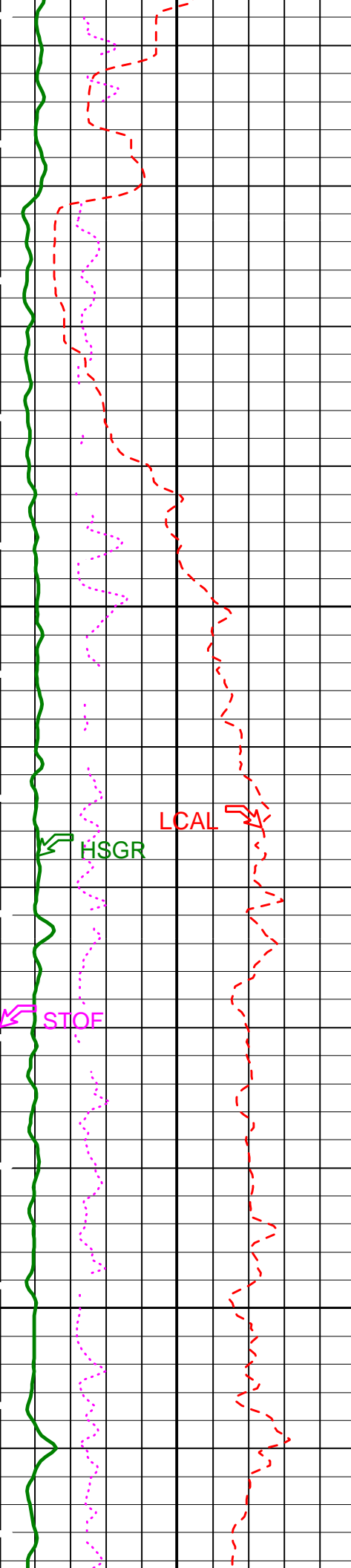


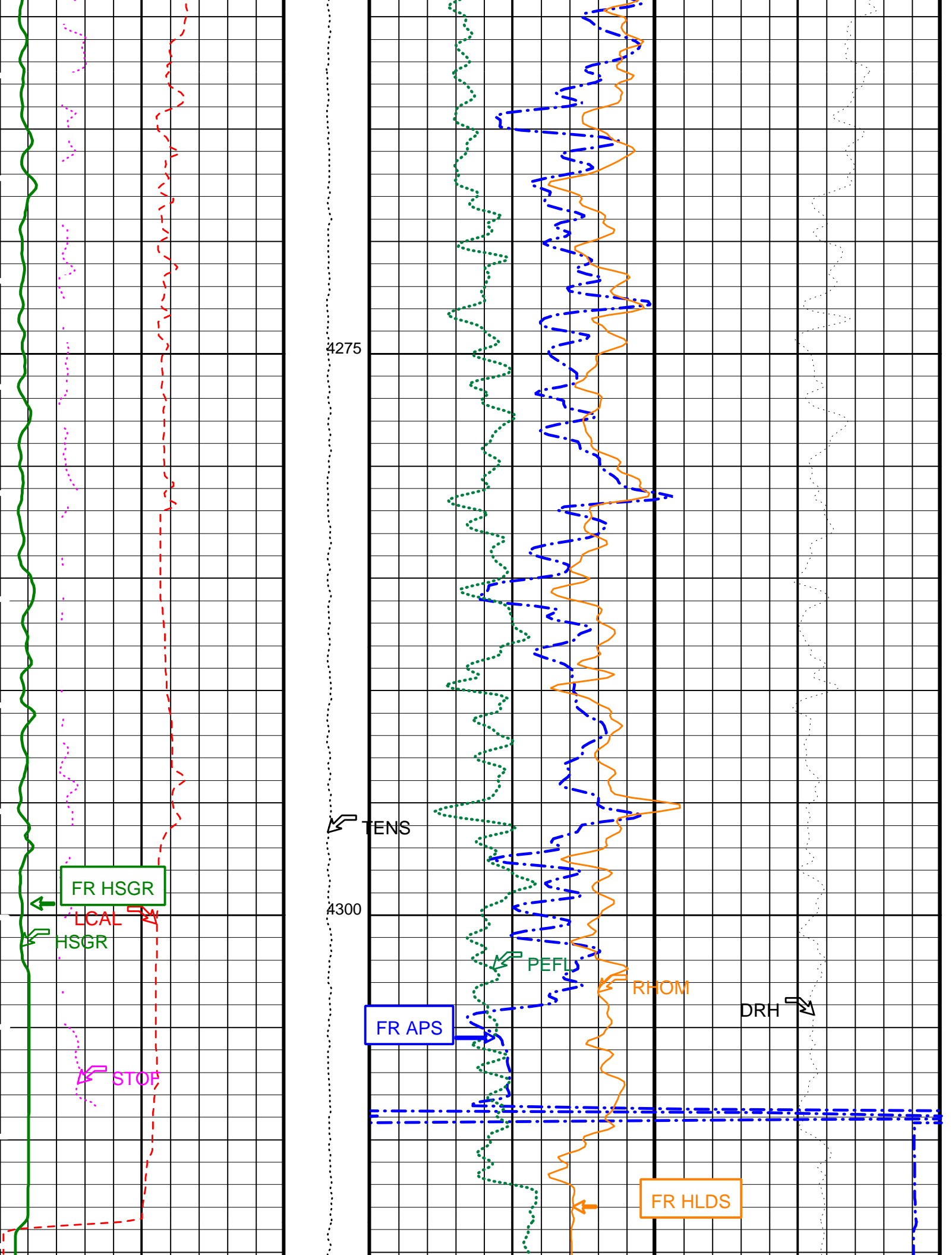
Last Reading

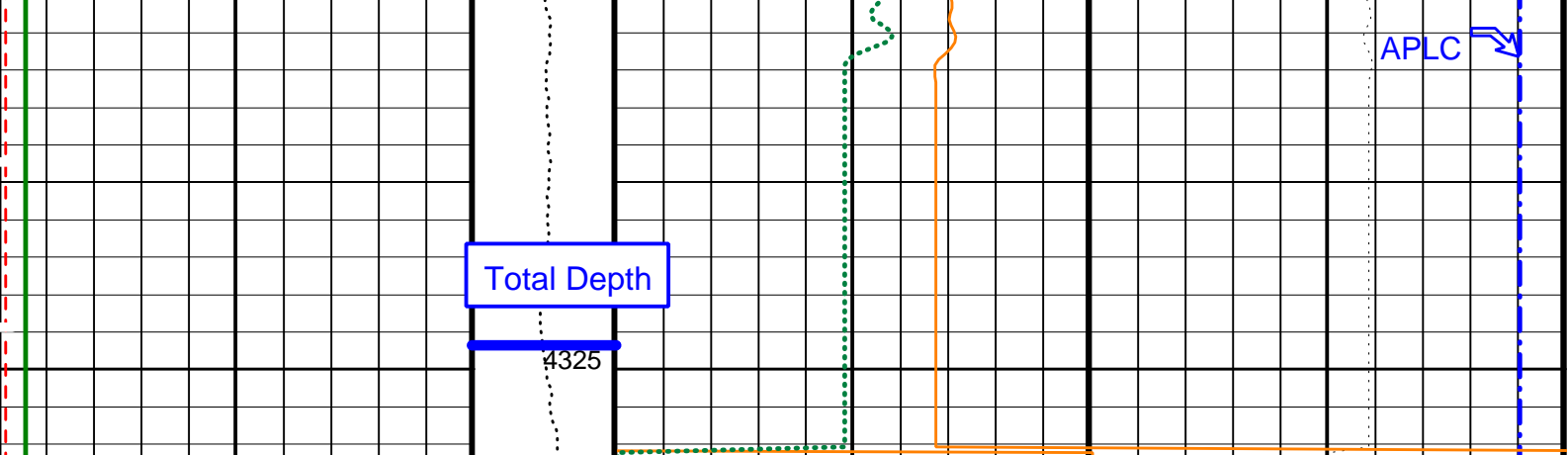












HLDS Caliper (LCAL) (IN)	0	20	Tension (TENS) (LBF)	0	10000	0	100	APS Near/Array Corrected Limestone Porosity (APLC) (PU)
APS Effective Standoff in Limestone (STOF) (IN)	-1	4		3				HLDS Bulk Density (RHOM) (G/C3)
HNGS Spectroscopy Gamma Ray (HSGR) (GAPI)	0	100						HLDS Bulk Density Correction (DRH) (G/C3)
						0	10	

PIP SUMMARY

Time Mark Every 60 S

Parameters

DLIS Name	Description	Value
	APS Cement Thickness Source	COMPUTED
	HLDS LS NCB Mode	Density
	HLDS SS NCB Mode	Density
	HLDS Diag Message Rate	20
	APS Software Version	5
	Apparent Thickness of Cement	0
	HLDS LS Tri-Ported Memory State	Enable
	HLDS LS Digital Integrator State	Normal
	HLDS Data Control	AcquiredData
	HLDS Spec Message Rate	1
	HLDS SS Tri-Ported Memory State	Enable
	HLDS SS Digital Integrator State	Normal
AASD	APS Thermal and Array Detectors High Voltage Setting	1968.98
ABOS	APS Neutron Burst-Off Background Subtraction Switch	ON
ADSO	APS Array Detectors Data Source Switch	Both
AFSD	APS Far Detector High Voltage Setting	2052.03
AHCS	APS Holesize Correction Source	GCSE
AHSS	APS Holesize Correction Switch	ON
AMTY	APS Environmental Corrections Mud Type	WaterBaseBarite
ANSD	APS Near Detector High Voltage Setting	1748.3
ASOS	APS Standoff Correction Switch	OFF
ATSS	APS Temperature-Pressure-Salinity Correction Switch	OFF
BAR1	HNGS Detector 1 Barite Constant	1
BAR2	HNGS Detector 2 Barite Constant	1
BHK	HNGS Borehole Potassium Correction Concentration	0
BHS	Borehole Status	OPEN
BHT	Bottom Hole Temperature (used in calculations)	10
BKSF	HNGS Borehole Fluid Excluder Sleeve Algorithm Factor	1
BKSH	HNGS Borehole Fluid Excluder Sleeve Algorithm High Channel	245
BKSL	HNGS Borehole Fluid Excluder Sleeve Algorithm Low Channel	17
BS	Bit Size	9.875
BSAL	Borehole Salinity	35000.00
CSD1	Inner Casing Outer Diameter	0
CSD2	Outer Casing Outer Diameter	0
CSIZ	Current Casing Size	0.000
CSW1	Inner Casing Weight	0
CSW2	Outer Casing Weight	0
CWEI	Casing Weight	0.00
D1PR	HNGS Detector 1 Calibration Thorium Peak Resolution	8.01304
D1TC	HNGS Detector 1 Calibration Temperature	29.8261
D1TL	HNGS Detector 1 Calibration Thorium Peak Location	211
D2PR	HNGS Detector 2 Calibration Thorium Peak Resolution	6.90264

D21C	HNGS Detector 2 Calibration Thorium Peak Location	28.7844	DEGC
D2TL	HNGS Detector 2 Calibration Thorium Peak Location	210.691	
DBCC	HNGS Barite Constant Correction Flag	NONE	
DFD	Drilling Fluid Density	1.10	G/C3
DHC	Density Hole Correction	BS	
DPPM	Density Porosity Processing Mode	HIRS	
FD	Fluid Density	1	G/C3
FSAL	Formation Salinity	35000	PPM
GCF1_START	HNGS Detector 1 GCF Constant	1	
GCF2_START	HNGS Detector 2 GCF Constant	1	
GCSE	Generalized Caliper Selection	LCAL	
GDEV	Average Angular Deviation of Borehole from Normal	0	DEG
GGRD	Geothermal Gradient	0.018227	DC/M
GTSE	Generalized Temperature Selection	LINEAR_ESTIMATE	
H1P	HNGS Detector 1 Allow/Disallow In Processing	ALLOW	
H2P	HNGS Detector 2 Allow/Disallow In Processing	ALLOW	
HABK	HNGS Borehole Potassium Running Average	0	
HALF	HNGS Alpha Filter Length	60	IN
HATIM	HNGS Marquardt Accumulation Time	600	S
HCRB	HNGS Apply Borehole Potassium Correction	NONE	
HMWM	Mud Weighting Material	NATU	
HNPE	HNGS Processing Enable	YES	
HSLV	HNGS Borehole Fluid Excluder Sleeve Status	NO	
HSVN	HNGS Spectral Standards Version Number	1.37121e-031	
LATC	HLDS Activation Correction	ON	
MARQ_START	HNGS Marquardt Start-up Mode	INTERNAL	
MDEN	Matrix Density	2.71	G/C3
NARC	APS Near/Array Calibration Ratio	1.06266	
NFRC	APS Near/Far Calibration Ratio	0.900511	
RDF1_START	HNGS Detector 1 RDF Constant	0	
RDF2_START	HNGS Detector 2 RDF Constant	0	
S1BI	HNGS Detector 1 Calibration Bismuth Count Rate	1.3	CPS
S1NA	HNGS Detector 1 Calibration Sodium Count Rate	19.1459	CPS
S1NG	HNGS Detector 1 Calibration End-On / Side-On Gain Ratio	0.985141	
S2BI	HNGS Detector 2 Calibration Bismuth Count Rate	1.3	CPS
S2NA	HNGS Detector 2 Calibration Sodium Count Rate	19.1691	CPS
S2NG	HNGS Detector 2 Calibration End-On / Side-On Gain Ratio	0.990236	
SABK	HNGS Statistical Uncertainty in Borehole Potassium Running Average	-999.25	
SGRC	HNGS Standard Gamma-Ray Correction Flag	YES	
SHT	Surface Hole Temperature	20	DEGC
TD	Total Depth	4388.4	M
TPOS	Tool Position	ECCE	
VBA1	HNGS Detector 1 Variable Barite Factor Running Average	0	
VBA2	HNGS Detector 2 Variable Barite Factor Running Average	0	

Format: APSLiquidPorosity_1 Vertical Scale: 1:200 Graphics File Created: 09-Oct-2001 06:03

OP System Version: 9C2-303
MCM

DIT-E	9C2-303	DTA-A	9C2-303
HLDS	9C2-303	NPLC-B	9C2-303
APS-BA	9C2-303	HNGS-BA	9C2-303
DTC-H	9C2-303		

Output DLIS Files

DEFAULT	PI_LDL_APS_HNGS_004LUP	FN:4	PRODUCER	09-Oct-2001 06:03
TCOMB_CUST	PI_LDL_APS_HNGS_004LUP	FN:5	PRODUCER	09-Oct-2001 06:03

COMPANY:	Lamont Doherty	BOTTOM LOG INTERVAL	4323 m
WELL:	ODP Leg 198, Site 1213-B	SCHLUMBERGER DEPTH	4324.5 m
FIELD:	Shatsky Rise	DEPTH DRILLER	4388.4 m
Country:	Japan	KELLY BUSHING	11.3 m
Ocean:	Pacific Ocean	DRILL FLOOR	11 m
		GROUND LEVEL	-3894 m



Density/APS Porosity