

COMPANY: Lamont Doherty

WELL: ODP Leg 198, Site 1213-B

FIELD: Shatsky Rise

Country: Japan Ocean: Pacific Ocean



Natural Gamma Ray Log

Country: Japan
Field: Shatsky Rise
Location: Rig- Joides Resolution
Well: ODP Leg 198, Site 1213-B
Company: Lamont Doherty

LOCATION		Rig- Joides Resolution		Elev.: K.B. 11.3 m G.L. -3894 m D.F. 11 m	
Permanent Datum:	GROUND LEVEL	Elev.: _____		above Perm. Datum	
Log Measured From:	DES				
Drilling Measured From:	DES				
API Serial No.	Max. Hole Devi.	Longitude E 157.2976	Latitude N 31.5776		

Logging Date	Run 1	Run 2	Run
Run Number			
Depth Driller			
Schlumberger Depth			
Bottom Log Interval			
Top Log Interval			
Casing Driller Size @ Depth			
Casing Schlumberger			
Bit Size			
Type Fluid In Hole			
Density			
Fluid Loss			
PH			
Source Of Sample			
RM @ Measured Temperature	@		
RMF @ Measured Temperature	@		
RMC @ Measured Temperature	@		
Source RMF	RMC		
RM @ MRT	RMF @ MRT	@	@
Maximum Recorded Temperatures			
Circulation Stopped	Time		
Logger On Bottom	Time		
Unit Number	Location		
Recorded By	Steve Kittredge		
Witnessed By	Trevor Williams		

Logging Date	10-9-01		
Run Number	1		
Depth Driller	4388.4 m		
Schlumberger Depth	4324.5 m		
Bottom Log Interval	4323 m		
Top Log Interval	4082.5 m		
Casing Driller Size @ Depth	0.000 in	@	3984 m
Casing Schlumberger	3984 m		
Bit Size	9.875 in		
Type Fluid In Hole	Sepiolite		
Density	1.1 g/cm3		
Fluid Loss	PH		
Source Of Sample			
RM @ Measured Temperature	@		
RMF @ Measured Temperature	@		
RMC @ Measured Temperature	@		
Source RMF	RMC		
RM @ MRT	RMF @ MRT	@	@
Maximum Recorded Temperatures			
Circulation Stopped	Time	10-9-01	2100
Logger On Bottom	Time	0	See Log
Unit Number	Location	99	Houston
Recorded By	Steve Kittredge		
Witnessed By	Trevor Williams		

DISCLAIMER
 THE USE OF AND RELIANCE UPON THIS RECORDED-DATA BY THE HEREIN NAMED COMPANY (AND ANY OF ITS AFFILIATES, PARTNERS, REPRESENTATIVES, AGENTS, CONSULTANTS AND EMPLOYEES) IS SUBJECT TO THE TERMS AND CONDITIONS AGREED UPON BETWEEN SCHLUMBERGER AND THE COMPANY, INCLUDING: (a) RESTRICTIONS ON USE OF THE RECORDED-DATA; (b) DISCLAIMERS AND WAIVERS OF WARRANTIES AND REPRESENTATIONS REGARDING COMPANY'S USE OF AND RELIANCE UPON THE RECORDED-DATA; AND (c) CUSTOMER'S FULL AND SOLE RESPONSIBILITY FOR ANY INFERENCE DRAWN OR DECISION MADE IN CONNECTION WITH THE USE OF THIS RECORDED-DATA.

OTHER SERVICES1
 OS1:
 OS2: None
 OS3:
 OS4:
 OS5:

OTHER SERVICES2
 OS1:
 OS2:
 OS3:
 OS4:
 OS5:

REMARKS: RUN NUMBER 1
 Toolstring- DITE/HLDS/APS/HNGS//MGT
 WHC Used on this run.
 Seas Moderate.
 Log Measured in Meters Below Rig Floor (MBRF).
 Total Depth Driller- 4388.4 MBRF.
 Sea Floor Driller- 3894 MBRF.
 Total Depth Logger- 4324.5 MBRF.
 Could not get to bottom due to hole problems.
 Log was stopped at 4082.5 due to severe overpull.
 No repeat log run.
 Could not close the caliper.
 No further logging attempted.

REMARKS: RUN NUMBER 2

RUN 1		
SERVICE ORDER #:		
PROGRAM VERSION:	9C2-303	
FLUID LEVEL:		
LOGGED INTERVAL	START	STOP

RUN 2		
SERVICE ORDER #:		
PROGRAM VERSION:		
FLUID LEVEL:		
LOGGED INTERVAL	START	STOP

EQUIPMENT DESCRIPTION




RUN 1

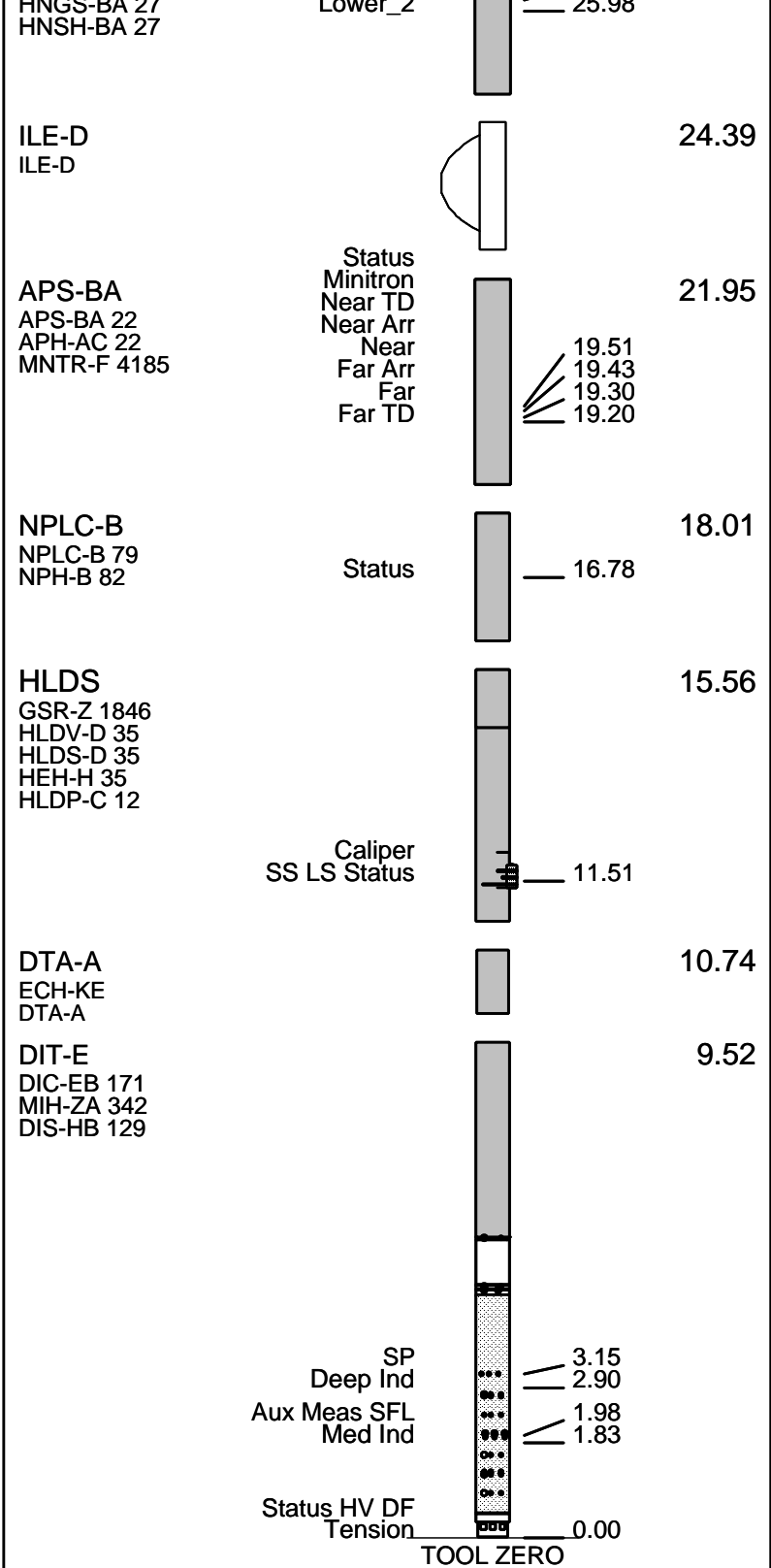
SURFACE EQUIPMENT

SFT-281 24
 SFT-178 4722
 GSR-U 135
 WITM (DTS)-A

RUN 2

DOWNHOLE EQUIPMENT

LEH-QT				28.69
LEH-QT				
DTC-H	CTEM		27.52	
ECH-KC	TelStatus		26.89	27.80
	ToolStatu			
HNGS-BA	Upper_1		26.19	26.89
	Lower_2		25.08	



TOOL ZERO

MAXIMUM STRING DIAMETER 3.88 IN
 MEASUREMENTS RELATIVE TO TOOL ZERO
 ALL LENGTHS IN METERS

Output DLIS Files

DEFAULT	PI_LDL_APS_HNGS_004LUP	FN:4	PRODUCER	09-Oct-2001 06:03	4327.4 M	4081.8 M
TCOMB_CUST	PI_LDL_APS_HNGS_004LUP	FN:5	PRODUCER	09-Oct-2001 06:03	4327.4 M	4081.8 M

OP System Version: 9C2-303

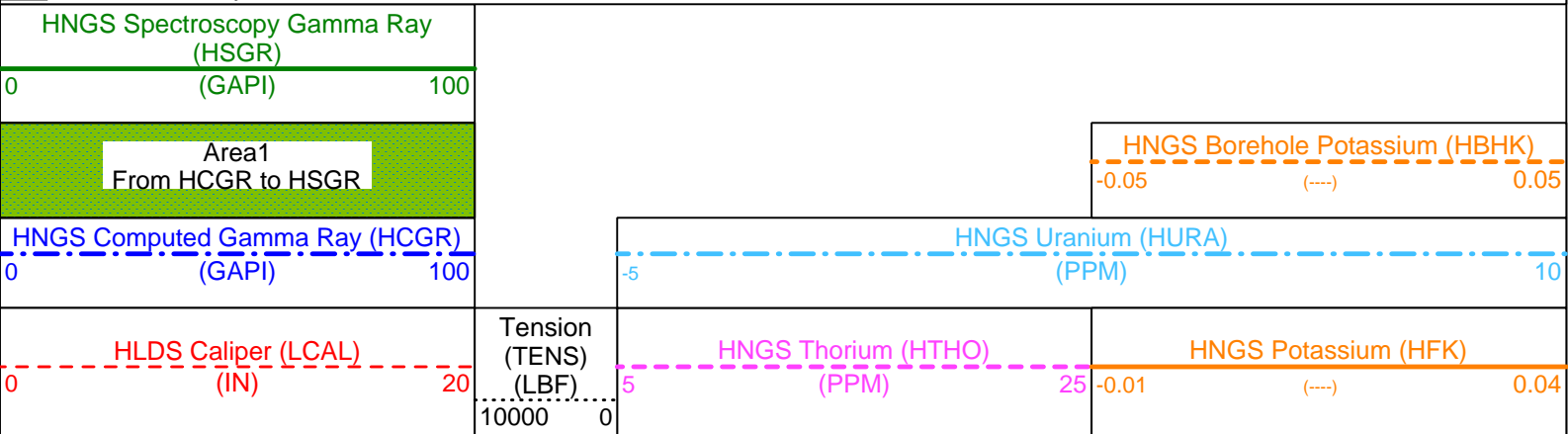
MCM

Main Up Log

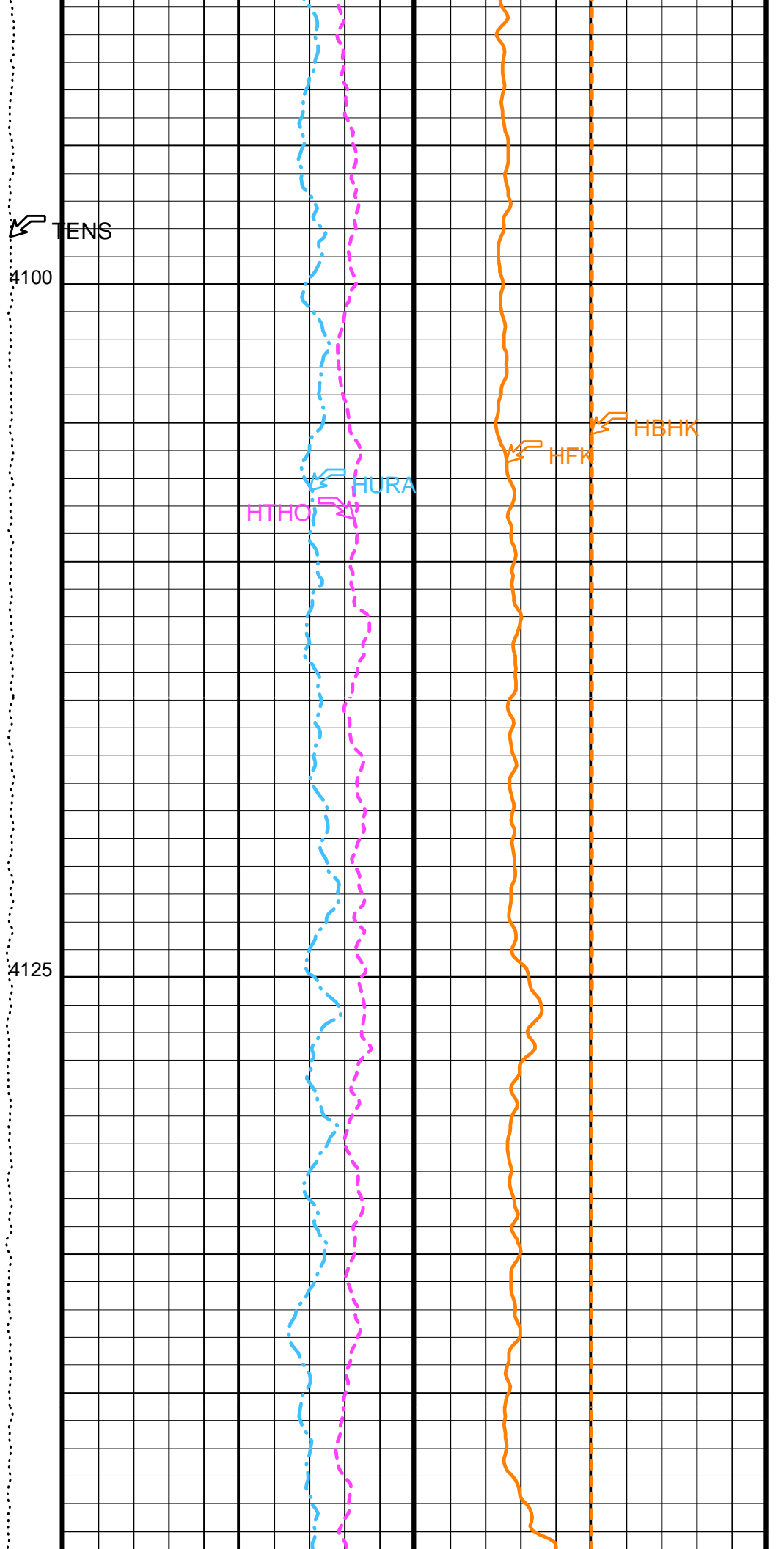
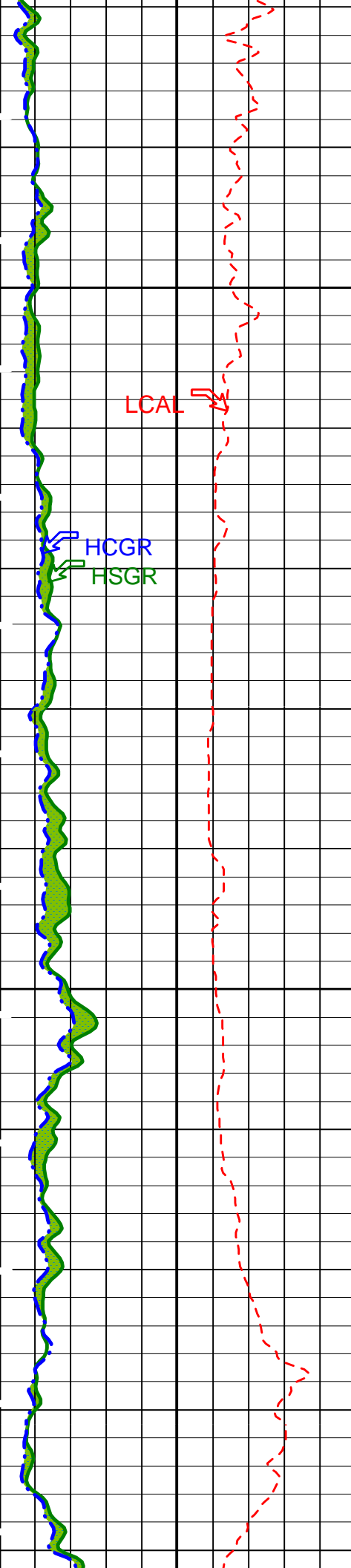
DIT-E	9C2-303	DTA-A	9C2-303
HLDS	9C2-303	NPLC-B	9C2-303
APS-BA	9C2-303	HNGS-BA	9C2-303
DTC-H	9C2-303		

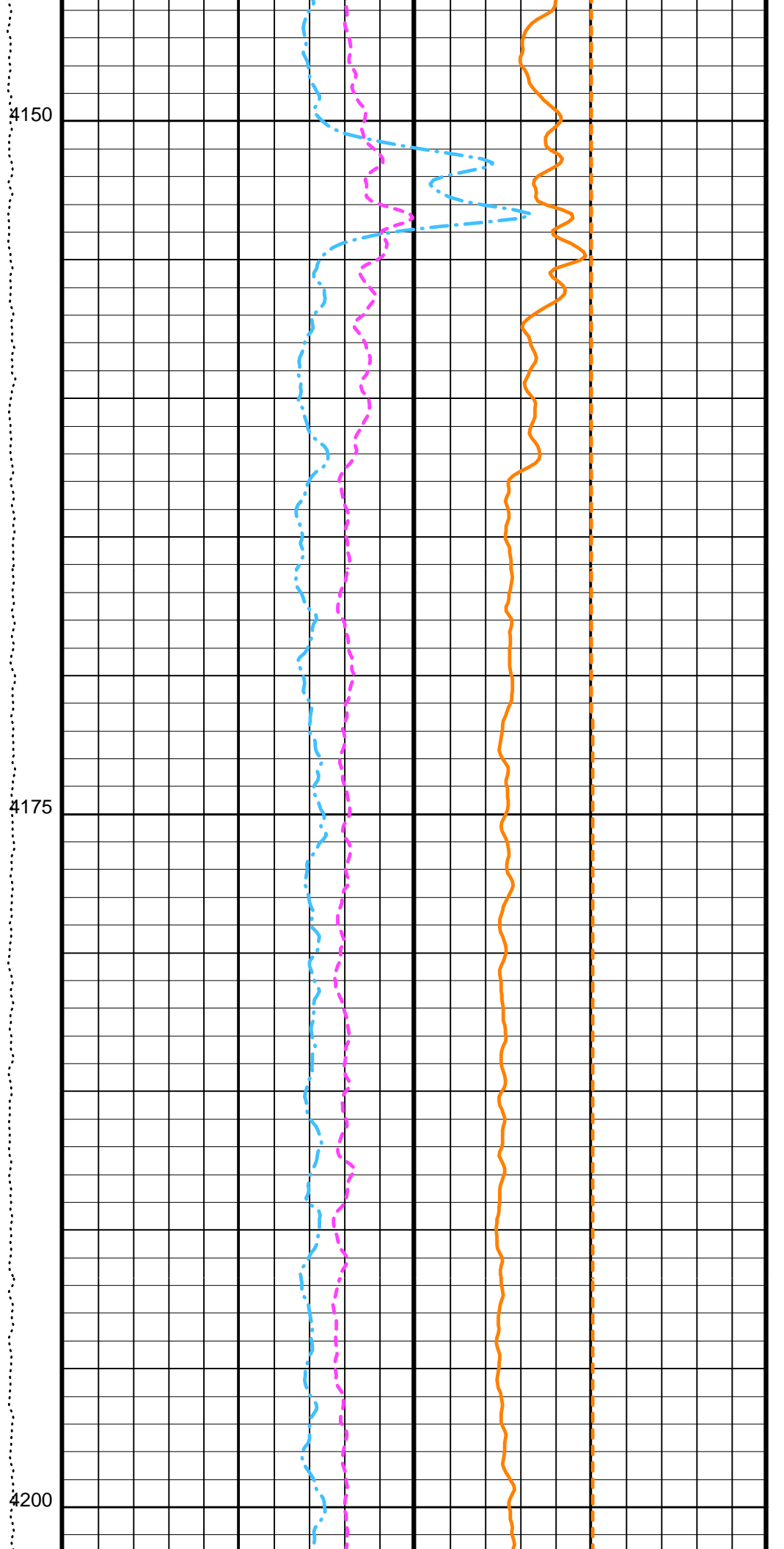
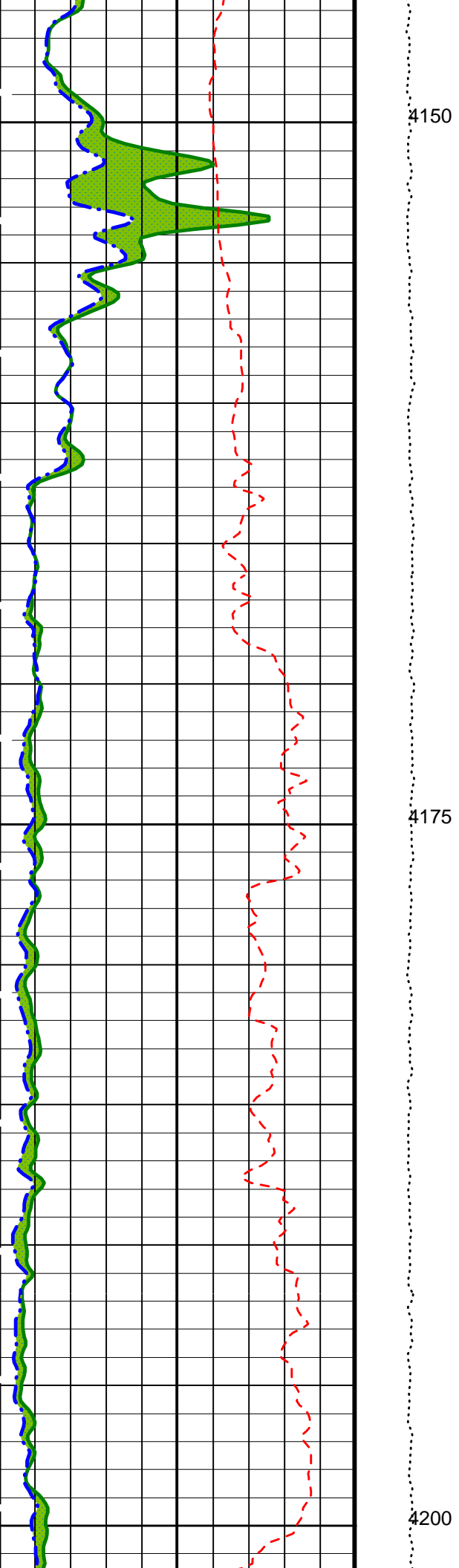
PIP SUMMARY

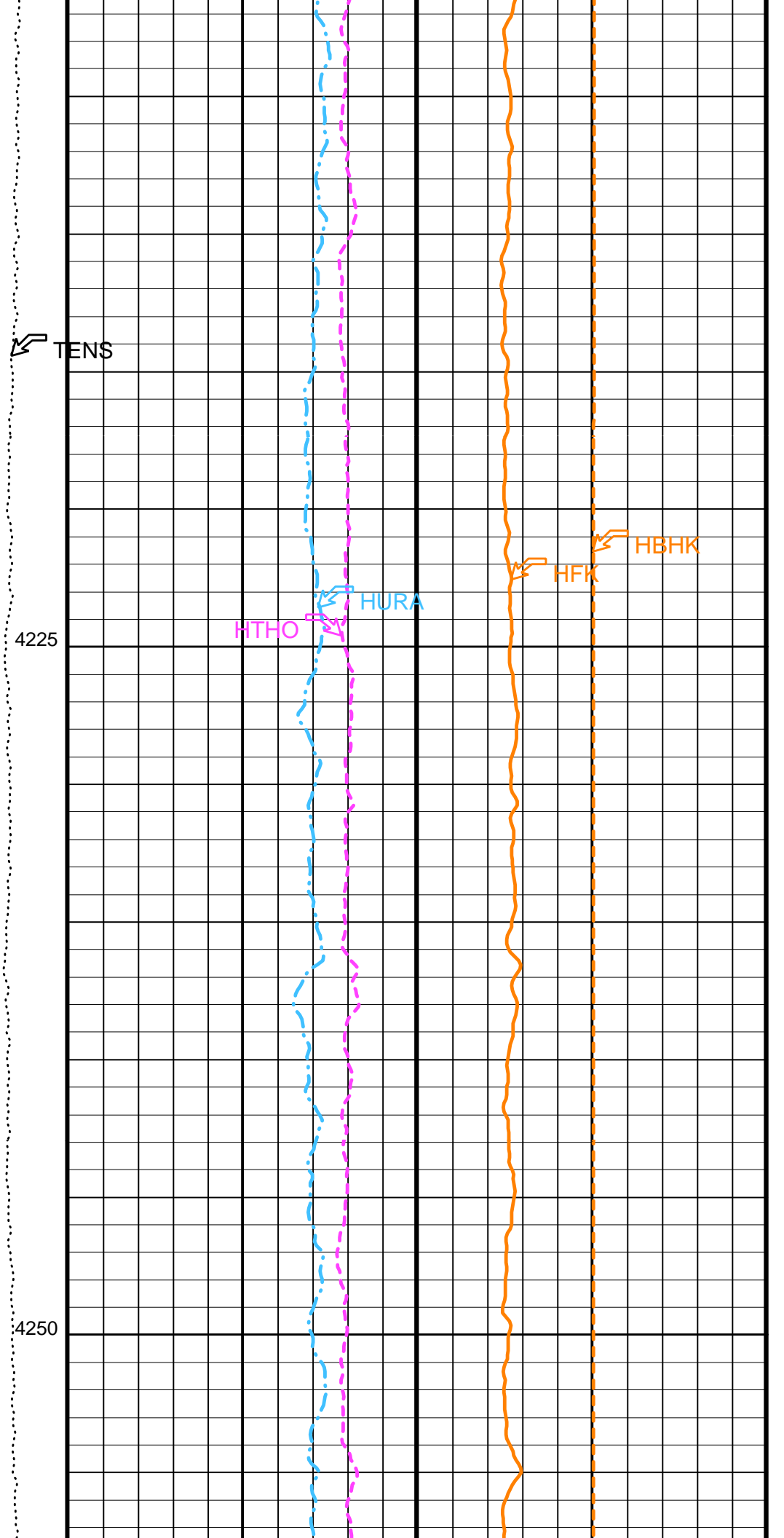
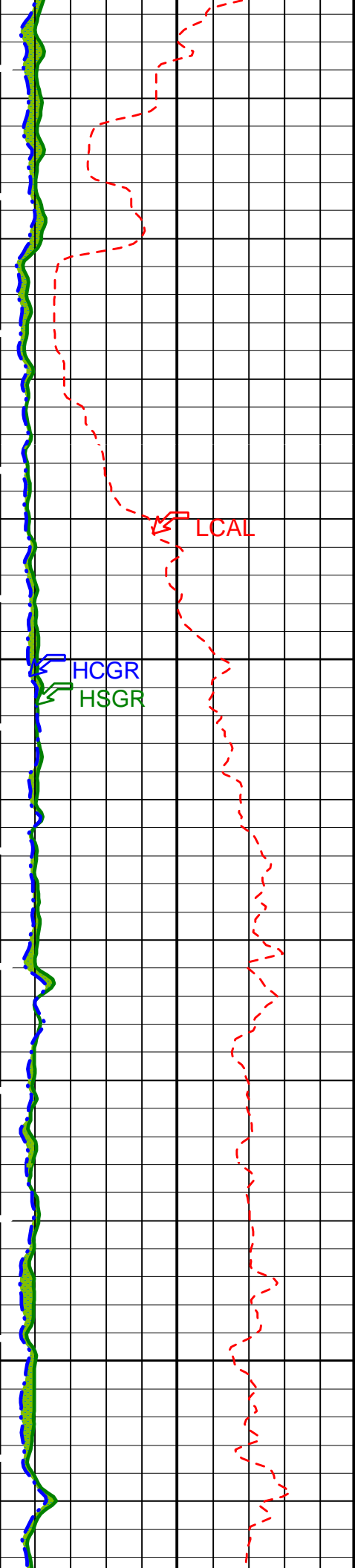
▶ Time Mark Every 60 S

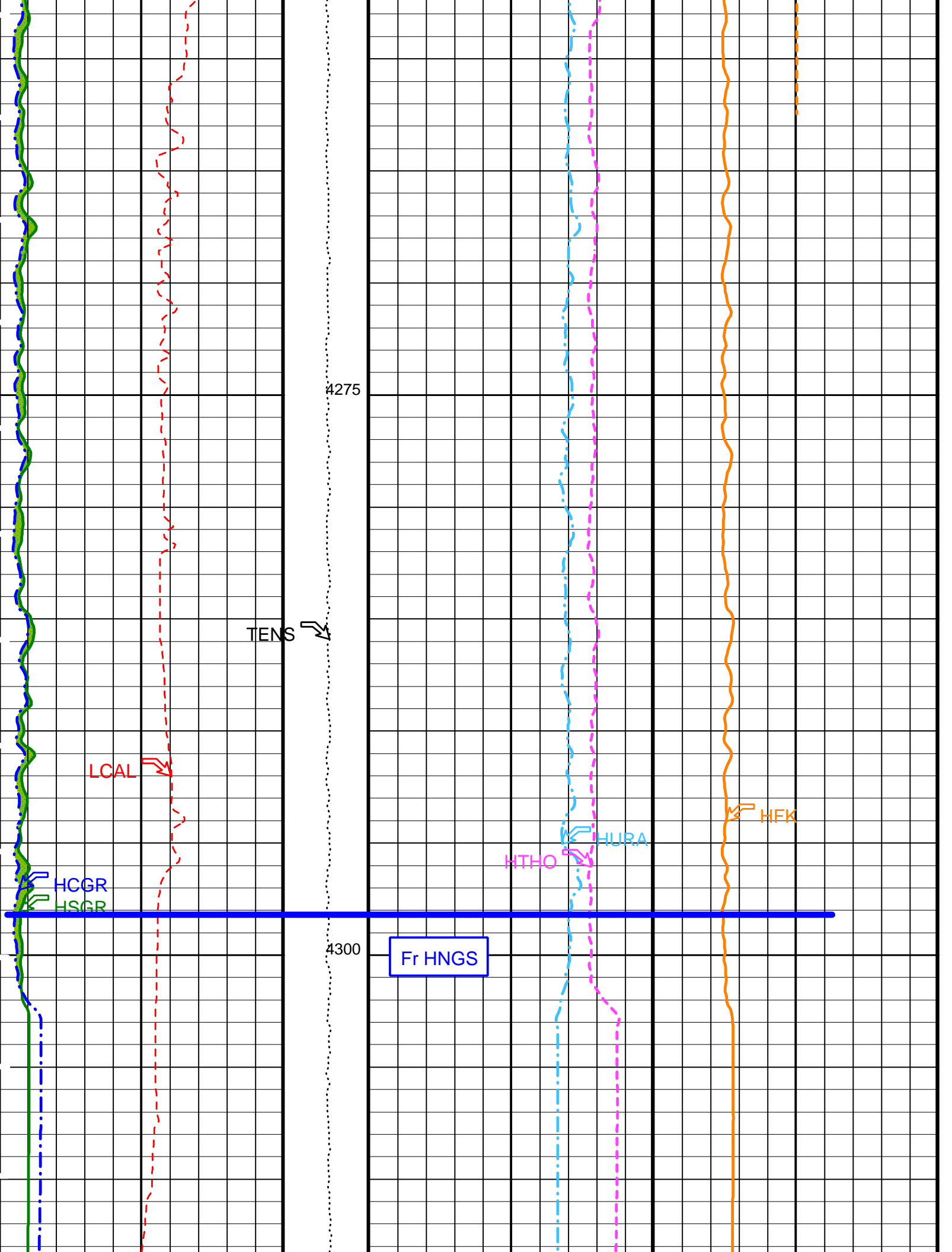


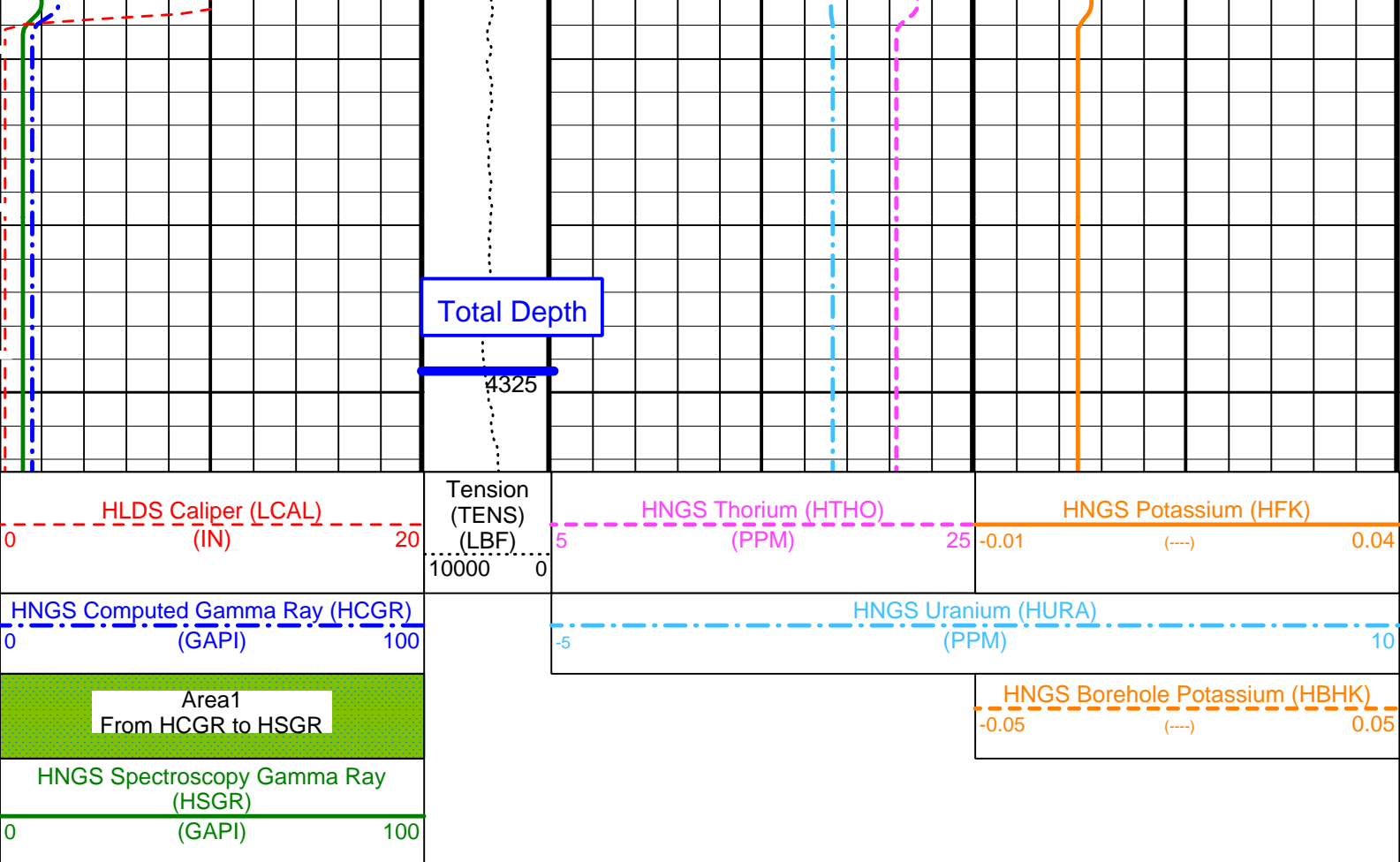
Last Reading











PIP SUMMARY

Time Mark Every 60 S

Parameters

DLIS Name	Description	Value	
BAR1	HNGS Detector 1 Barite Constant	1	
BAR2	HNGS Detector 2 Barite Constant	1	
BHK	HNGS Borehole Potassium Correction Concentration	0	
BHS	Borehole Status	OPEN	
BKSF	HNGS Borehole Fluid Excluder Sleeve Algorithm Factor	1	
BKSH	HNGS Borehole Fluid Excluder Sleeve Algorithm High Channel	245	
BKSL	HNGS Borehole Fluid Excluder Sleeve Algorithm Low Channel	17	
BS	Bit Size	9.875	IN
CSD1	Inner Casing Outer Diameter	0	IN
CSD2	Outer Casing Outer Diameter	0	IN
CSW1	Inner Casing Weight	0	LB/F
CSW2	Outer Casing Weight	0	LB/F
D1PR	HNGS Detector 1 Calibration Thorium Peak Resolution	8.01304	%
D1TC	HNGS Detector 1 Calibration Temperature	29.8261	DEGC
D1TL	HNGS Detector 1 Calibration Thorium Peak Location	211	
D2PR	HNGS Detector 2 Calibration Thorium Peak Resolution	6.90264	%
D2TC	HNGS Detector 2 Calibration Temperature	28.7844	DEGC
D2TL	HNGS Detector 2 Calibration Thorium Peak Location	210.691	
DBCC	HNGS Barite Constant Correction Flag	NONE	
DFD	Drilling Fluid Density	1.10	G/C3
GCF1_START	HNGS Detector 1 GCF Constant	1	
GCF2_START	HNGS Detector 2 GCF Constant	1	
GCSE	Generalized Caliper Selection	LCAL	
H1P	HNGS Detector 1 Allow/Disallow In Processing	ALLOW	
H2P	HNGS Detector 2 Allow/Disallow In Processing	ALLOW	
HABK	HNGS Borehole Potassium Running Average	0	
HALF	HNGS Alpha Filter Length	60	IN
HATIM	HNGS Marquardt Accumulation Time	600	S
HCRB	HNGS Apply Borehole Potassium Correction	NONE	
HMWM	Mud Weighting Material	NATU	
HNPE	HNGS Processing Enable	YES	
HSLV	HNGS Borehole Fluid Excluder Sleeve Status	NO	
HSVN	HNGS Spectral Standards Version Number	1.37121e-031	
MARQ_START	HNGS Marquardt Start-up Mode	INTERNAL	
RDF1_START	HNGS Detector 1 RDF Constant	0	
RDF2_START	HNGS Detector 2 RDF Constant	0	
S1BI	HNGS Detector 1 Calibration Bismuth Count Rate	1.3	CPS

S1BI	HNGS Detector 1 Calibration Bismuth Count Rate	19.1459	CPS
S1NA	HNGS Detector 1 Calibration End-On / Side-On Gain Ratio	0.985141	
S2BI	HNGS Detector 2 Calibration Bismuth Count Rate	1.3	CPS
S2NA	HNGS Detector 2 Calibration Sodium Count Rate	19.1691	CPS
S2NG	HNGS Detector 2 Calibration End-On / Side-On Gain Ratio	0.990236	
SABK	HNGS Statistical Uncertainty in Borehole Potassium Running Average	-999.25	
SGRC	HNGS Standard Gamma-Ray Correction Flag	YES	
TPOS	Tool Position	ECCE	
VBA1	HNGS Detector 1 Variable Barite Factor Running Average	0	
VBA2	HNGS Detector 2 Variable Barite Factor Running Average	0	

Format: HNGSYields Vertical Scale: 1:200 Graphics File Created: 09-Oct-2001 06:03

OP System Version: 9C2-303
MCM

DIT-E	9C2-303	DTA-A	9C2-303
HLDS	9C2-303	NPLC-B	9C2-303
APS-BA	9C2-303	HNGS-BA	9C2-303
DTC-H	9C2-303		

Output DLIS Files

DEFAULT	PI_LDL_APS_HNGS_004LUP	FN:4	PRODUCER	09-Oct-2001 06:03
TCOMB_CUST	PI_LDL_APS_HNGS_004LUP	FN:5	PRODUCER	09-Oct-2001 06:03

COMPANY: Lamont Doherty WELL: ODP Leg 198, Site 1213-B FIELD: Shatsky Rise Country: Japan Ocean: Pacific Ocean	BOTTOM LOG INTERVAL	4323 m
	SCHLUMBERGER DEPTH	4324.5 m
	DEPTH DRILLER	4388.4 m
	KELLY BUSHING	11.3 m
	DRILL FLOOR	11 m
	GROUND LEVEL	-3894 m



Natural Gamma Ray Log