

Company: Lamont Doherty

Well: Leg 208, Site 1263A

Field: Walvis Ridge

Country: Africa

Ocean: Atlantic

HILDS/APS Porosity

Country: Africa		Elev.: K.B. 11.3 m
Field: Walvis Ridge		G.L. -2728.2 m
Location: Rig: Joides Resolution		D.F. 11 m
Well: Leg 208, Site 1263A		
Company: Lamont Doherty		
LOCATION		
Permanent Datum: _____	MSL _____	Elev.: 0 m _____
Log Measured From: _____	DF _____	11.3 m above Perm. Datum
Drilling Measured From: _____	DF _____	
API Serial No.	Max. Hole Devi.	Longitude Latitude
		2.7795 E 28.5329 S

Logging Date	
Run Number	1
Depth Driller	3073.84 m
Schlumberger Depth	3072 m
Bottom Log Interval	3070 m
Top Log Interval	2720 m
Casing Driller Size @ Depth	0.000 in @ 2810.35 m
Casing Schlumberger	2812 m
Bit Size	9.875 in

Type Fluid In Hole	
Density	Viscosity
Fluid Loss	PH
Source Of Sample	

RM @ Measured Temperature	0.322 oh.m.m	@	23 degC
RMF @ Measured Temperature		@	
RMC @ Measured Temperature		@	
Source RMF	RMC		
RM @ MRT	RMF @ MRT	@	18
Maximum Recorded Temperatures	0.362 @ 18	@	18
Circulation Stopped	18 degC		
Logger On Bottom		Time	
Unit Number	99	Location	Houston, ODP
Recorded By			Steve Kittredge
Witnessed By			Philippe Gailliot

				Run 1	Run 2	Run
Logging Date						
Run Number						
Depth Driller						
Schlumberger Depth						
Bottom Log Interval						
Top Log Interval						
Casing Driller Size @ Depth		@				
Casing Schlumberger						
Bit Size						
Type Fluid In Hole						
Density	Viscosity					
Fluid Loss	PH					
Source Of Sample						
RM @ Measured Temperature		@				
RMF @ Measured Temperature		@				
RMC @ Measured Temperature		@				
Source RMF	RMC					
RM @ MRT	RMF @ MRT	@				
Maximum Recorded Temperatures						
Circulation Stopped						
Logger On Bottom						
Unit Number						
Recorded By						
Witnessed By						

DISCLAIMER
 THE USE OF AND RELIANCE UPON THIS RECORDED-DATA BY THE HEREIN NAMED COMPANY (AND ANY OF ITS AFFILIATES, PARTNERS, REPRESENTATIVES, AGENTS, CONSULTANTS AND EMPLOYEES) IS SUBJECT TO THE TERMS AND CONDITIONS AGREED UPON BETWEEN SCHLUMBERGER AND THE COMPANY, INCLUDING: (a) RESTRICTIONS ON USE OF THE RECORDED-DATA; (b) DISCLAIMERS AND WAIVERS OF WARRANTIES AND REPRESENTATIONS REGARDING COMPANY'S USE OF AND RELIANCE UPON THE RECORDED-DATA; AND (c) CUSTOMER'S FULL AND SOLE RESPONSIBILITY FOR ANY INFERENCE DRAWN OR DECISION MADE IN CONNECTION WITH THE USE OF THIS RECORDED-DATA.

OTHER SERVICES1
 OS1: MESTB/DSI/SGTN
 OS2:
 OS3:
 OS4:
 OS5:

OTHER SERVICES2
 OS1:
 OS2:
 OS3:
 OS4:
 OS5:

REMARKS: RUN NUMBER 1
 Hole Cored with APC/XCB
 All Depth in Meters Below Rig Floor (MBRF)
 Hole Flushed with Sepiolite
 Sea Floor Driller- 2728.2 MBRF.
 Sea Floor Logger- 2727 MBRF.
 Total Depth Driller- 3073.84 MBRF
 Total Depth Logger- 3072 MBRF.
 Casing Bottom Driller- 2810 MBRF.
 Casing Bottom Logger- 2812 MBRF.
 Had problems getting tool in pipe.
 LFV was not latched open.
 Minitron was turned off when tool would not come in pipe.
 HLDS caliper arm was broken off.

REMARKS: RUN NUMBER 2

RUN 1
 SERVICE ORDER #:
 PROGRAM VERSION: 10C0-306
 FLUID LEVEL:

RUN 2
 SERVICE ORDER #:
 PROGRAM VERSION:
 FLUID LEVEL:

LOGGED INTERVAL	START	STOP


LOGGED INTERVAL	START	STOP


EQUIPMENT DESCRIPTION

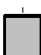
RUN 1
SURFACE EQUIPMENT
 SFT-281 24
 SFT-178 4722
 GSR-U 135
 WITM (DTS)-A

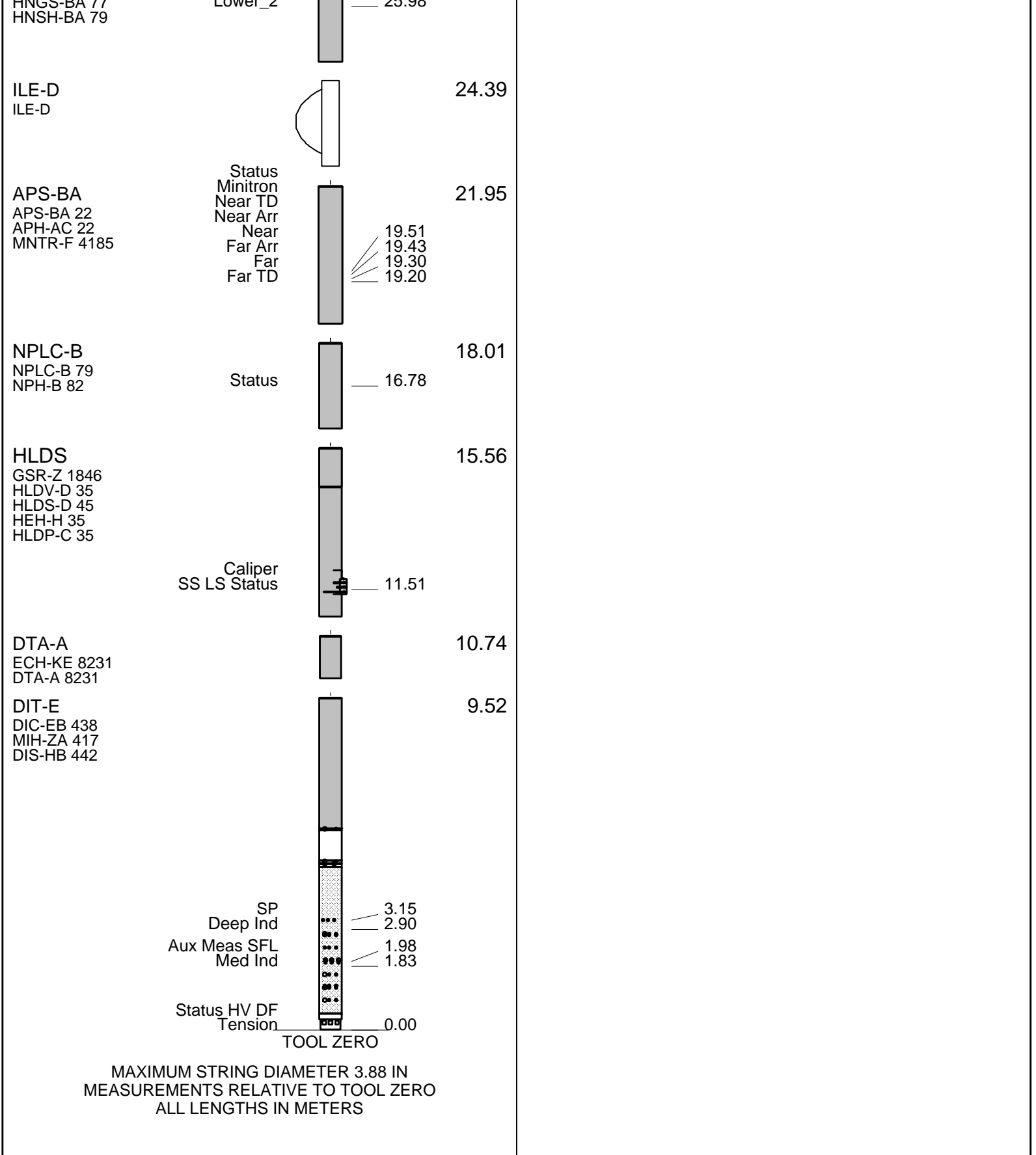
RUN 2

DOWNHOLE EQUIPMENT

LEH-QT  28.69
 LEH-QT

DTC-H  27.52 27.80
 ECH-KC 9343 CTEM TelStatus ToolStatu

HNGS-BA  26.19 26.89
 UNCS BA 77 Upper_1 Lower_2



Output DLIS Files

DEFAULT	PI_LDL_APS_NGS_034LUP	FN:17	PRODUCER	01-Apr-2003 06:42	3074.7 M	2720.0 M
TCOMBO_CUST	PI_LDL_APS_NGS_034LUP	FN:18	PRODUCER	01-Apr-2003 06:42	3074.7 M	2720.0 M

OP System Version: 10C0-306
MCM

MAIN UP LOG

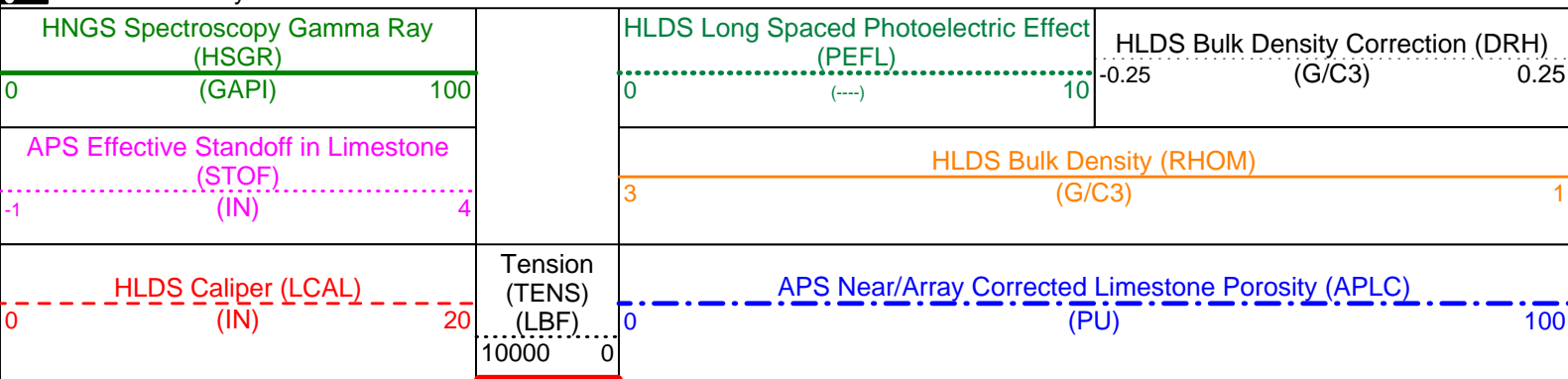
DIT-E	10C0-306	DTA-A	10C0-306
HLDS	SPC-2277-NUCL_b	NPLC-B	OP10-KP1
APS-BA	SPC-2277-NUCL_b	HNGS-BA	SPC-2277-NUCL_b
DTC-H	10C0-306		

Changed Parameter Summary

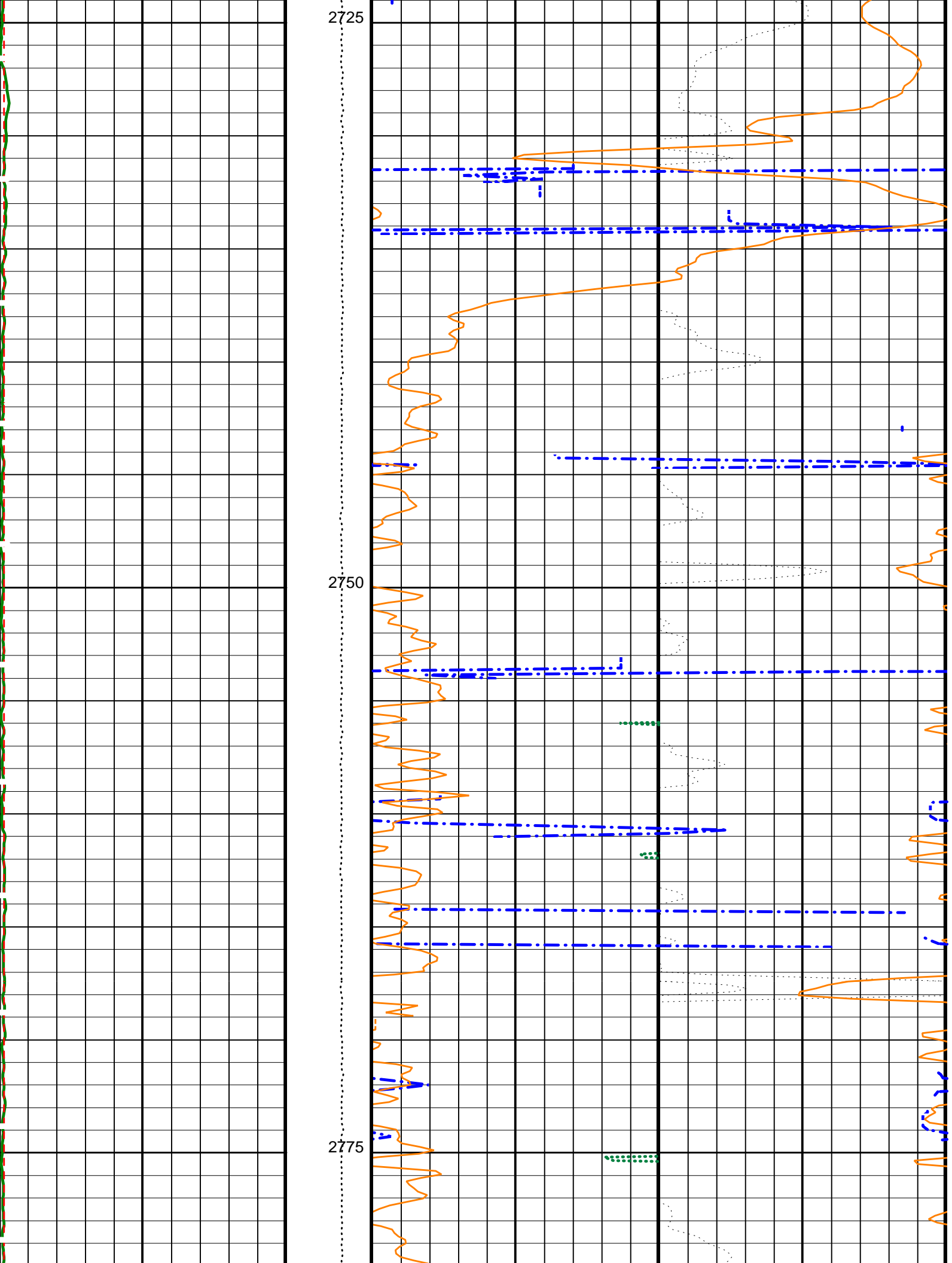
DLIS Name	New Value	Previous Value	Depth & Time
GCSE	BS	LCAL	2809.6 09:41:06
S1BI	1.3 CPS	-999.25 CPS	3075.2 06:42:49
S2BI	1.3 CPS	-999.25 CPS	3075.2 06:42:54

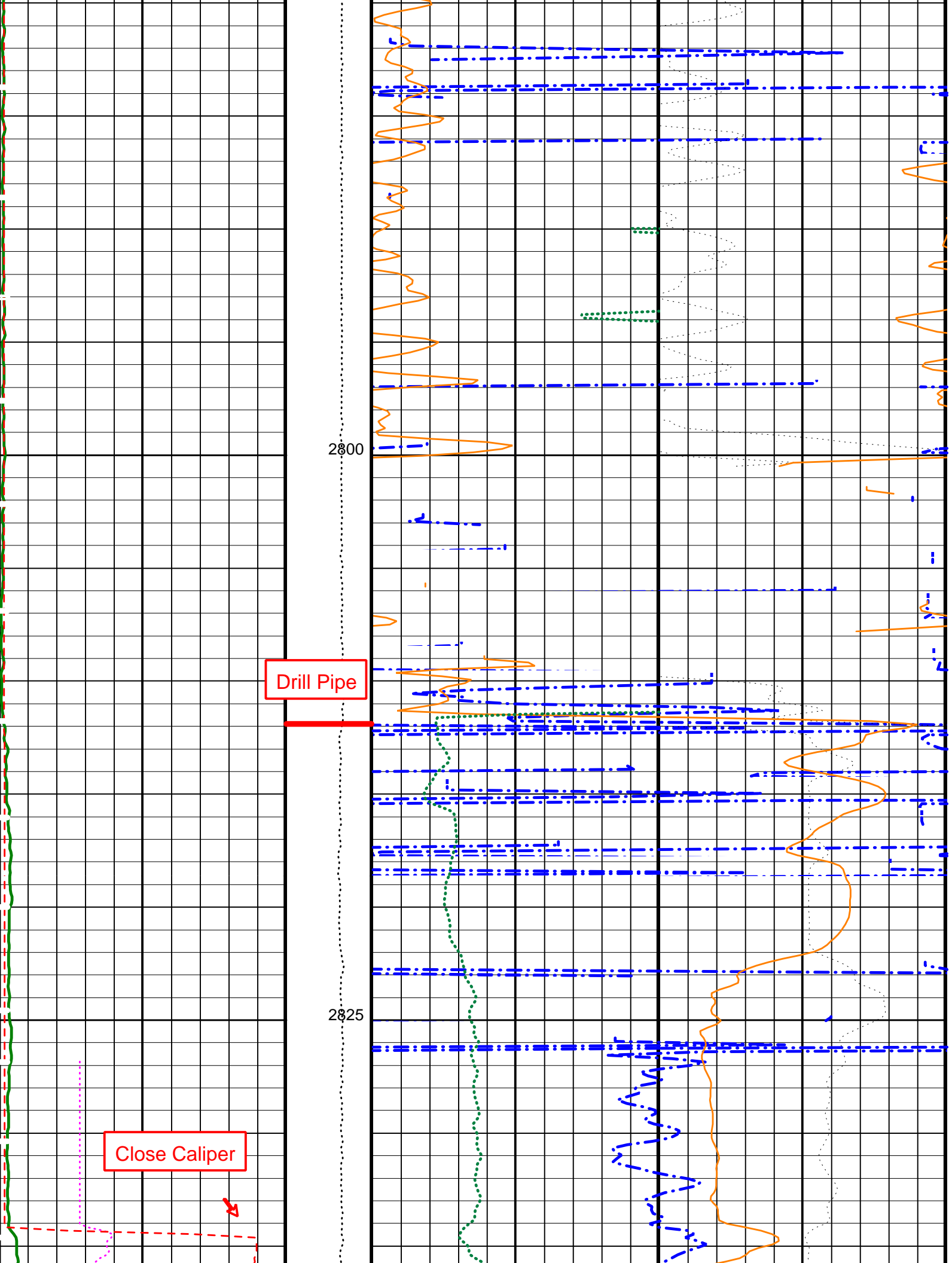
PIP SUMMARY

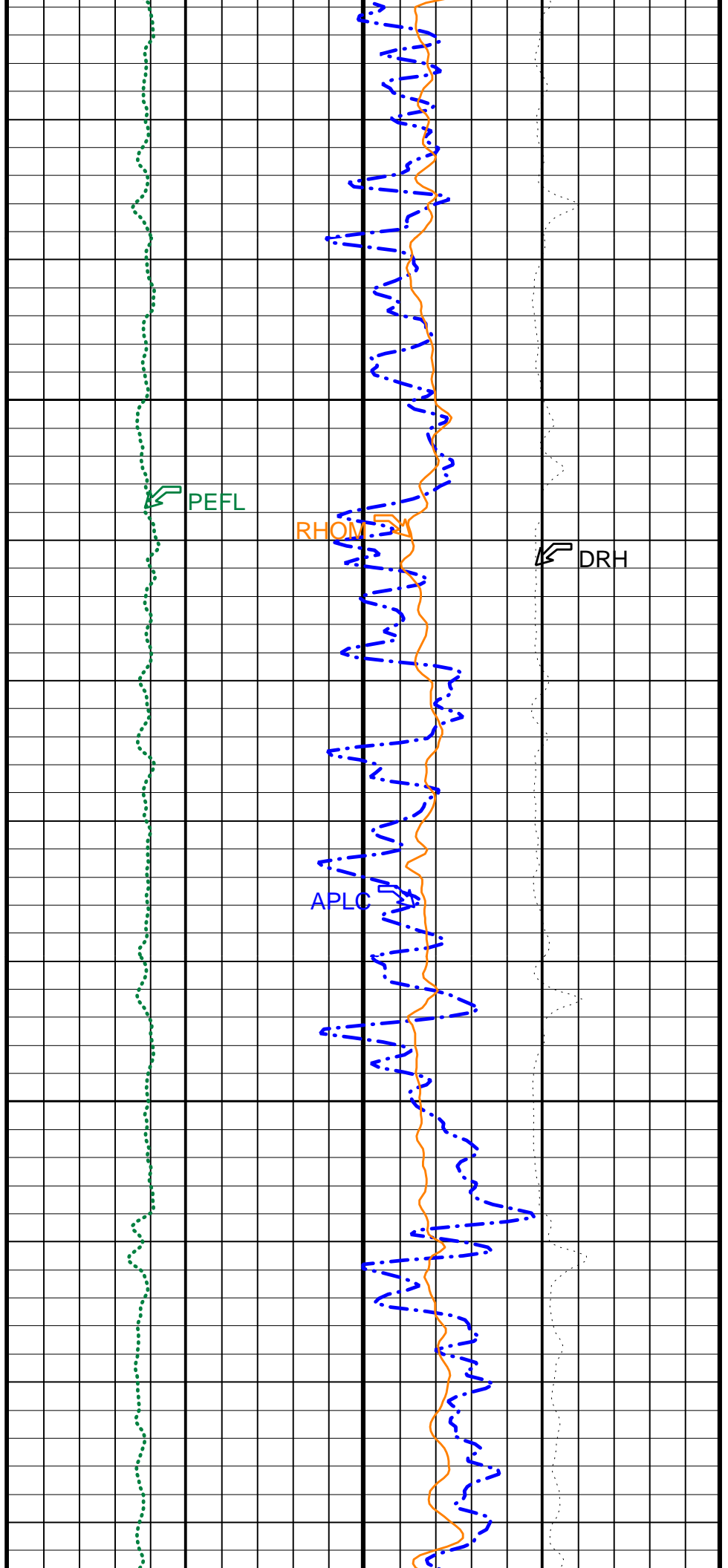
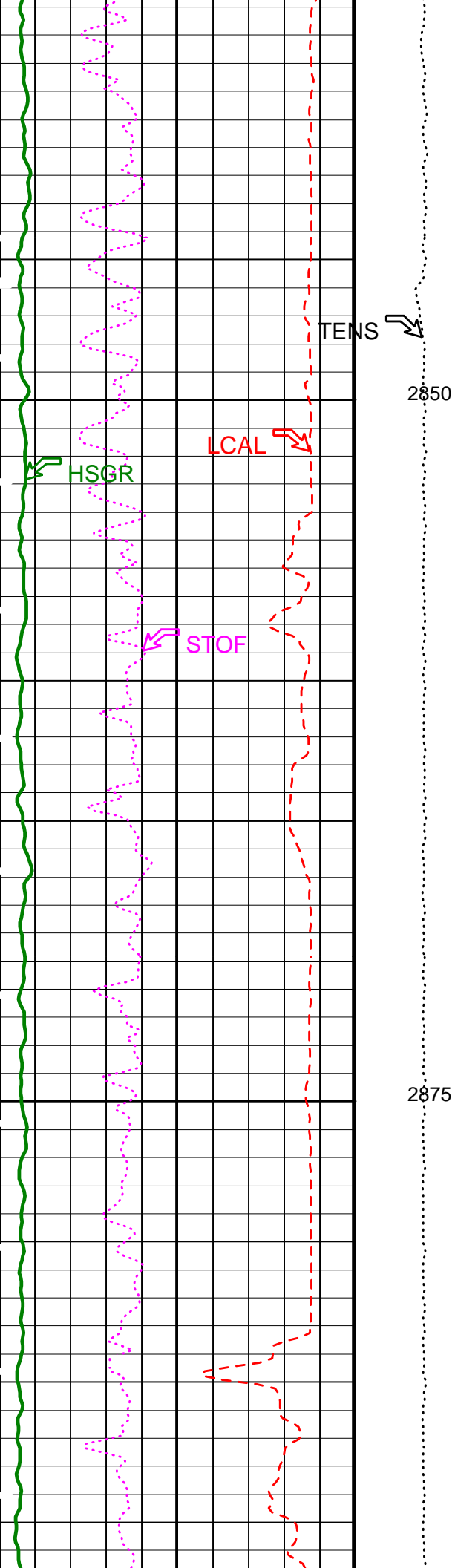
Time Mark Every 60 S

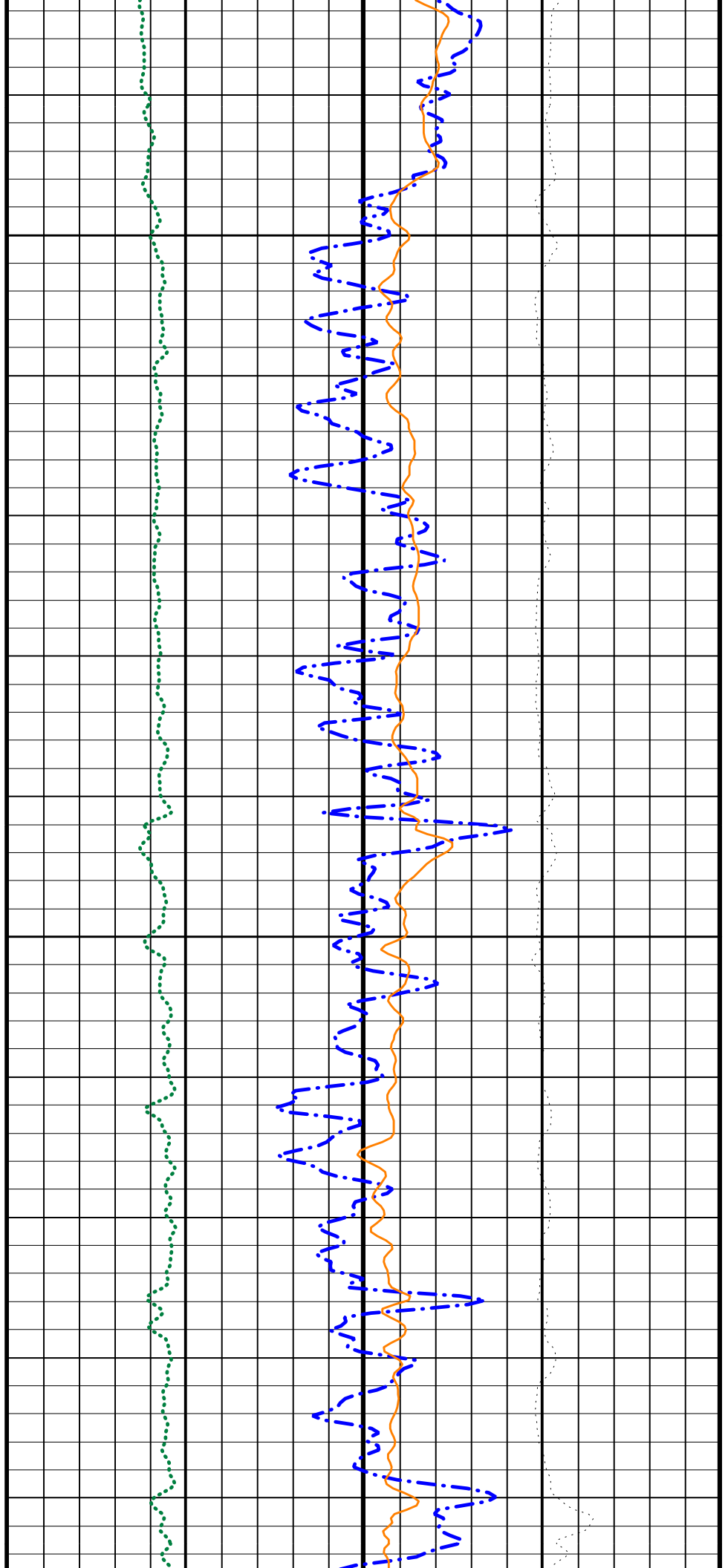
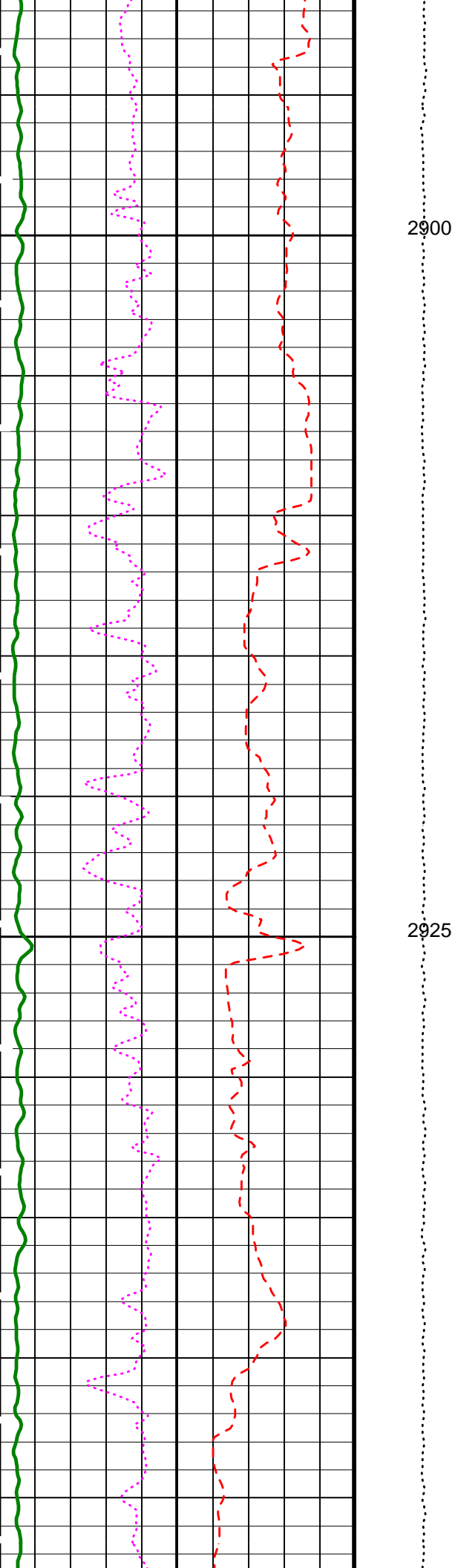


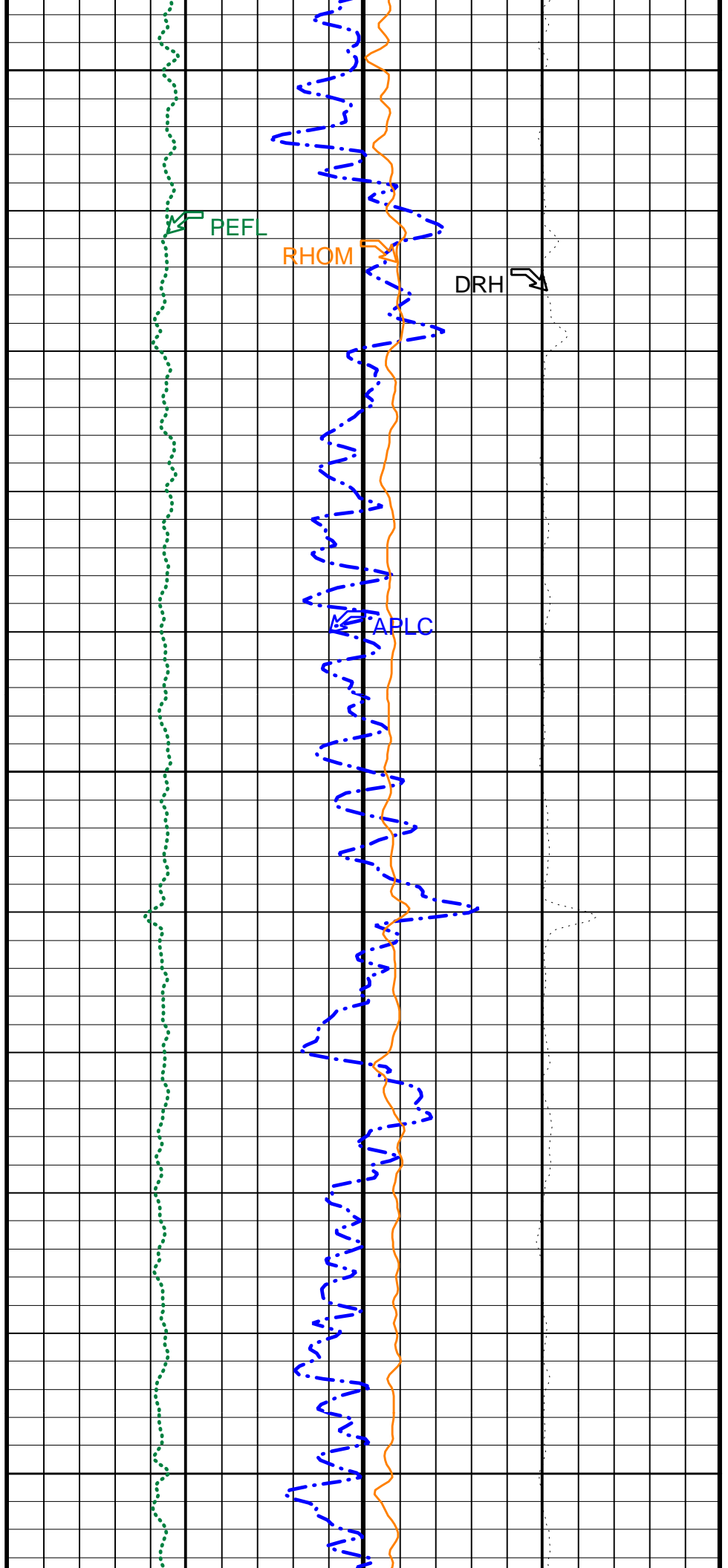
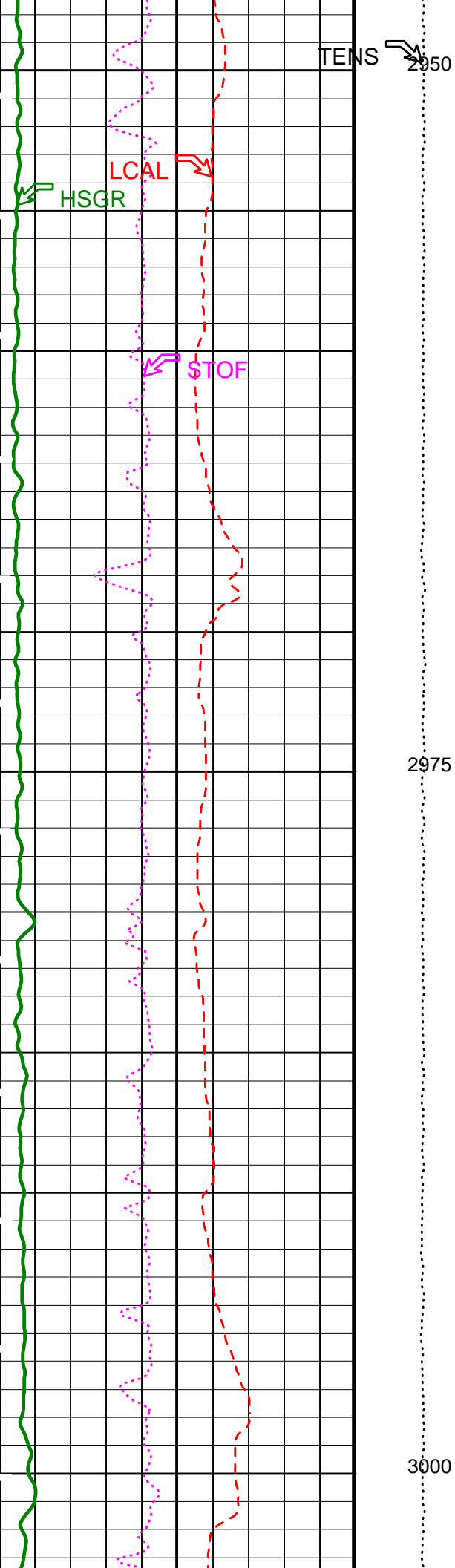
Last Reading

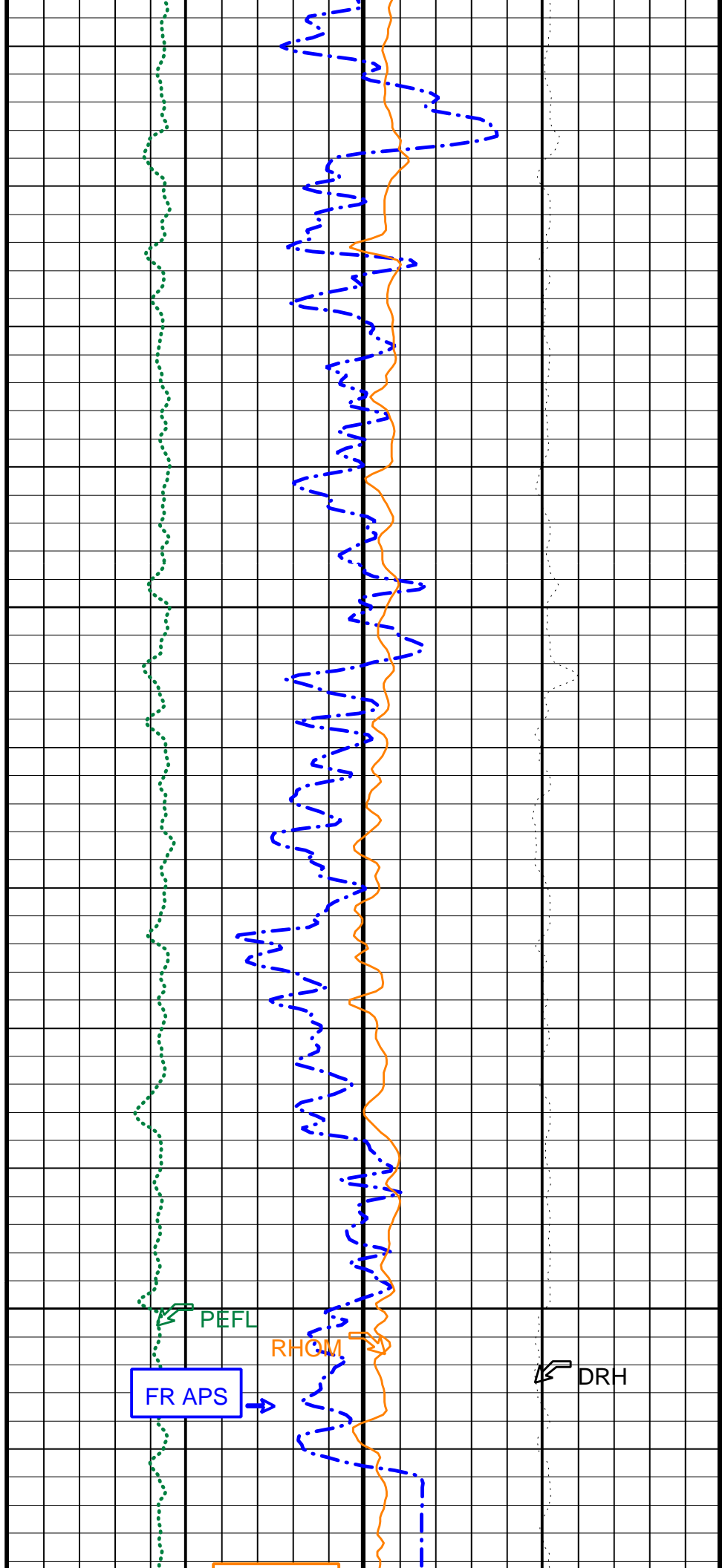
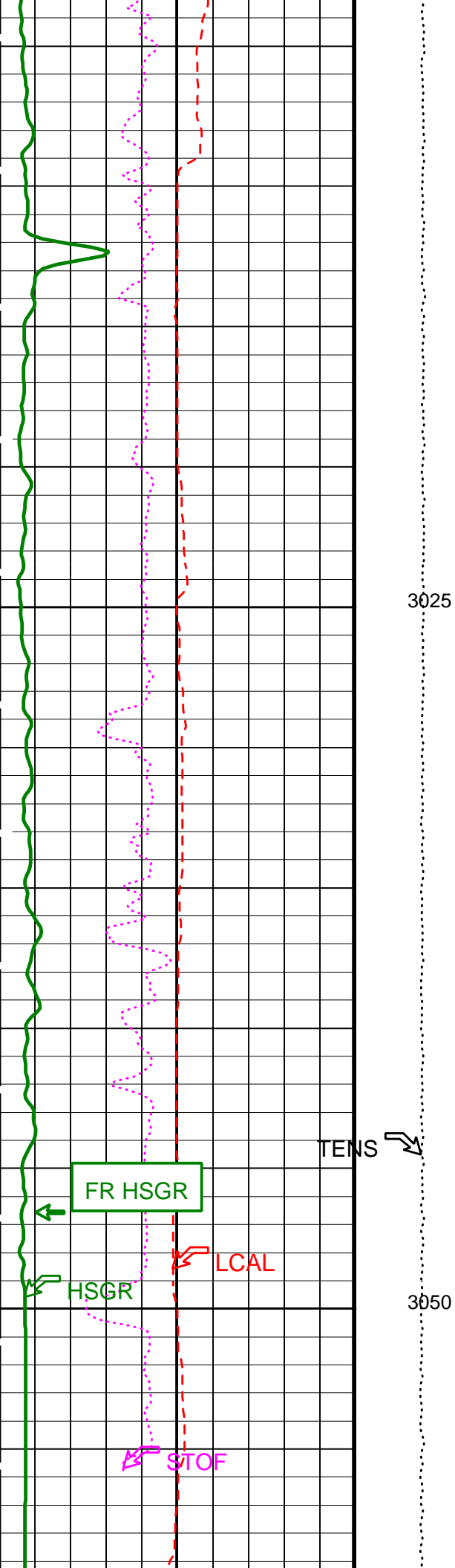












FR HSGR

HSGR

LCAL

STOF

TENS

3025

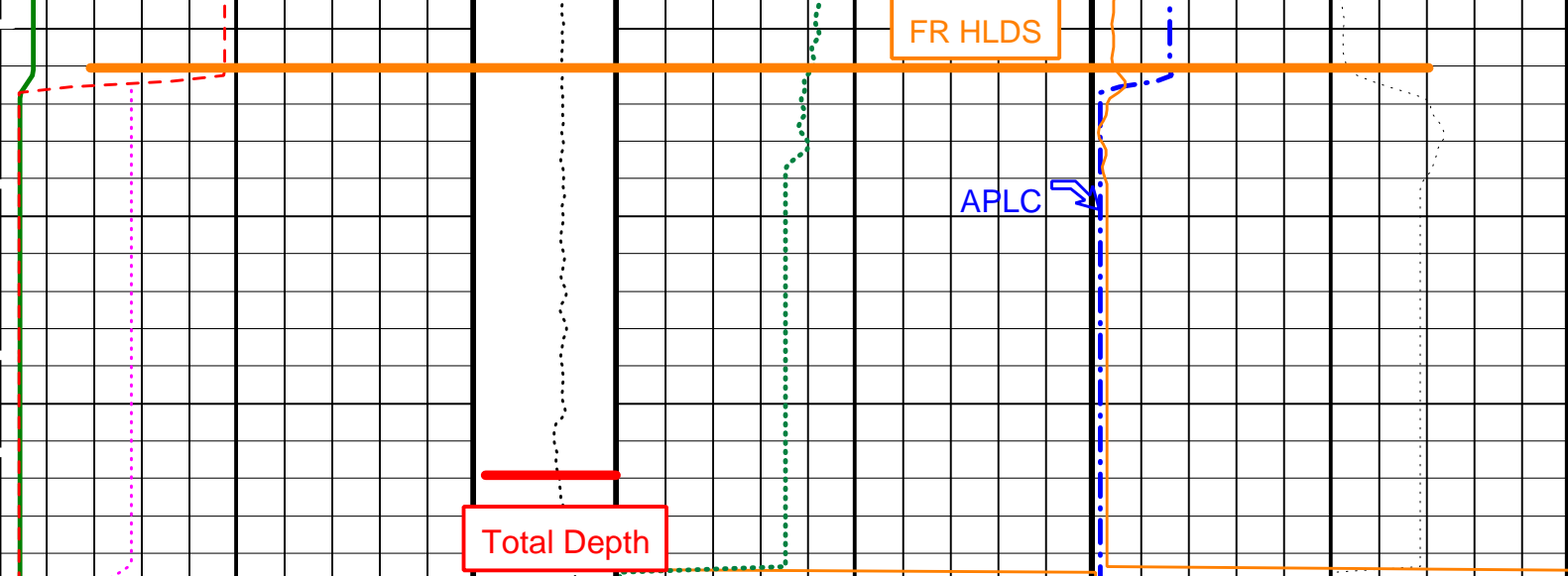
3050

PEFL

FR APS

RHGM

DRH



HLDS Caliper (LCAL) (IN)	Tension (TENS) (LBF)	APS Near/Array Corrected Limestone Porosity (APLC) (PU)
0 20	10000 0	0 100
APS Effective Standoff in Limestone (STOF) (IN)	HLDS Bulk Density (RHOM) (G/C3)	
-1 4	3 1	
HNGS Spectroscopy Gamma Ray (HSGR) (GAPI)	HLDS Long Spaced Photoelectric Effect (PEFL) (---)	HLDS Bulk Density Correction (DRH) (G/C3)
0 100	0 10	-0.25 0.25

PIP SUMMARY

Time Mark Every 60 S

Parameters

DLIS Name	Description	Value
DIT-E: Dual Induction - E		
BHS	Borehole Status	OPEN
BHT	Bottom Hole Temperature (used in calculations)	12 DEGC
GCSE	Generalized Caliper Selection	LCAL
GDEV	Average Angular Deviation of Borehole from Normal	0 DEG
GGRD	Geothermal Gradient	0.018227 DC/M
GTSE	Generalized Temperature Selection	LINEAR_ESTIMATE
SHT	Surface Hole Temperature	20 DEGC
HLDS: Hostile Litho-Density Sonde		
DHC	Density Hole Correction	BS
DPPM	Density Porosity Processing Mode	HIRS
FD	Fluid Density	1 G/C3
LATC	HLDS Activation Correction	ON
MDEN	Matrix Density	2.71 G/C3
APS-BA: Accelerator-Porosity Tool		
	APS Software Version	5
AASD	APS Thermal and Array Detectors High Voltage Setting	1958.44 V
ADSO	APS Array Detectors Data Source Switch	Both
AFSD	APS Far Detector High Voltage Setting	2072.71 V
AHCS	APS Holedsize Correction Source	GCSE
AHSS	APS Holedsize Correction Switch	ON
AMTY	APS Environmental Corrections Mud Type	WaterBaseBarite
ANSD	APS Near Detector High Voltage Setting	1727.99 V
ASOS	APS Standoff Correction Switch	ON
ATSS	APS Temperature-Pressure-Salinity Correction Switch	OFF
BHS	Borehole Status	OPEN
BHT	Bottom Hole Temperature (used in calculations)	12 DEGC
DPPM	Density Porosity Processing Mode	HIRS
FSAL	Formation Salinity	35000 PPM
GCSE	Generalized Caliper Selection	LCAL
GDEV	Average Angular Deviation of Borehole from Normal	0 DEG
GGRD	Geothermal Gradient	0.018227 DC/M
GTSE	Generalized Temperature Selection	LINEAR_ESTIMATE
NARC	APS Near/Array Calibration Ratio	1.05369
NFRC	APS Near/Far Calibration Ratio	0.888689
SHT	Surface Hole Temperature	20 DEGC
HNGS-BA: Hostile Natural Gamma Ray Sonde		
PAR1	HNGS Detector 1 Barite Constant	1

BAR1	HNGS Detector 1 Barite Constant	1	
BAR2	HNGS Detector 2 Barite Constant	1	
BHK	HNGS Borehole Potassium Correction Concentration	0	
BHS	Borehole Status	OPEN	
BHT	Bottom Hole Temperature (used in calculations)	12	DEGC
CSD1	Inner Casing Outer Diameter	0	IN
CSD2	Outer Casing Outer Diameter	0	IN
CSW1	Inner Casing Weight	0	LB/F
CSW2	Outer Casing Weight	0	LB/F
DBCC	HNGS Barite Constant Correction Flag	NONE	
GCSE	Generalized Caliper Selection	LCAL	
GDEV	Average Angular Deviation of Borehole from Normal	0	DEG
GGRD	Geothermal Gradient	0.018227	DC/M
GTSE	Generalized Temperature Selection	LINEAR_ESTIMATE	
H1P	HNGS Detector 1 Allow/Disallow In Processing	ALLOW	
H2P	HNGS Detector 2 Allow/Disallow In Processing	ALLOW	
HABK	HNGS Borehole Potassium Running Average	-0.000414056	
HALF	HNGS Alpha Filter Length	60	IN
HCRB	HNGS Apply Borehole Potassium Correction	NONE	
HMWM	Mud Weighting Material	NATU	
HNPE	HNGS Processing Enable	YES	
S1BI	HNGS Detector 1 Calibration Bismuth Count Rate	-999.25	CPS
S2BI	HNGS Detector 2 Calibration Bismuth Count Rate	-999.25	CPS
SGRC	HNGS Standard Gamma-Ray Correction Flag	YES	
SHT	Surface Hole Temperature	20	DEGC
TPOS	Tool Position	ECCE	
VBA1	HNGS Detector 1 Variable Barite Factor Running Average	0.97278	
VBA2	HNGS Detector 2 Variable Barite Factor Running Average	0.978534	
System and Miscellaneous			
BS	Bit Size	9.875	IN
BSAL	Borehole Salinity	35000.00	PPM
CSIZ	Current Casing Size	0.000	IN
CWEI	Casing Weight	0.00	LB/F
DFD	Drilling Fluid Density	1.10	G/C3
TD	Total Depth	3073.84	M

Format: APSLiquidPorosity_1 Vertical Scale: 1:200 Graphics File Created: 01-Apr-2003 06:42

OP System Version: 10C0-306

MCM

DIT-E	10C0-306	DTA-A	10C0-306
HLDS	SPC-2277-NUCL_b	NPLC-B	OP10-KP1
APS-BA	SPC-2277-NUCL_b	HNGS-BA	SPC-2277-NUCL_b
DTC-H	10C0-306		

Output DLIS Files

DEFAULT	PI_LDL_APS_NGS_034LUP	FN:17	PRODUCER	01-Apr-2003 06:42
TCOMBO_CUST	PI_LDL_APS_NGS_034LUP	FN:18	PRODUCER	01-Apr-2003 06:42

Company: Lamont Doherty

Schlumberger

Well: Leg 208, Site 1263A

Field: Walvis Ridge

Country: Africa

Ocean: Atlantic

HLDS/APS Porosity