

DISCLAIMER
 THE USE OF AND RELIANCE UPON THIS RECORDED-DATA BY THE HEREIN NAMED COMPANY (AND ANY OF ITS AFFILIATES, PARTNERS, REPRESENTATIVES, AGENTS, CONSULTANTS AND EMPLOYEES) IS SUBJECT TO THE TERMS AND CONDITIONS AGREED UPON BETWEEN SCHLUMBERGER AND THE COMPANY, INCLUDING: (a) RESTRICTIONS ON USE OF THE RECORDED-DATA; (b) DISCLAIMERS AND WAIVERS OF WARRANTIES AND REPRESENTATIONS REGARDING COMPANY'S USE OF AND RELIANCE UPON THE RECORDED-DATA; AND (c) CUSTOMER'S FULL AND SOLE RESPONSIBILITY FOR ANY INFERENCE DRAWN OR DECISION MADE IN CONNECTION WITH THE USE OF THIS RECORDED-DATA.

OTHER SERVICES1
 OS1: MESTB/DSI/SGTN
 OS2:
 OS3:
 OS4:
 OS5:

OTHER SERVICES2
 OS1:
 OS2:
 OS3:
 OS4:
 OS5:

REMARKS: RUN NUMBER 1
 Hole Cored with APC/XCB
 All Depth in Meters Below Rig Floor (MBRF)
 Hole Flushed with Sepiolite
 Sea Floor Driller- 2728.2 MBRF.
 Sea Floor Logger- 2727 MBRF.
 Total Depth Driller- 3073.84 MBRF
 Total Depth Logger- 3072 MBRF.
 Casing Bottom Driller- 2810 MBRF.
 Casing Bottom Logger- 2812 MBRF.
 Had problems getting tool in pipe.
 LFV was not latched open.
 Minitron was turned off when tool would not come in pipe.
 HLDS caliper arm was broken off.

REMARKS: RUN NUMBER 2

RUN 1

SERVICE ORDER #:
 PROGRAM VERSION: 10C0-306
 FLUID LEVEL:

RUN 2

SERVICE ORDER #:
 PROGRAM VERSION:
 FLUID LEVEL:

LOGGED INTERVAL	START	STOP

LOGGED INTERVAL	START	STOP

EQUIPMENT DESCRIPTION



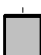
RUN 1

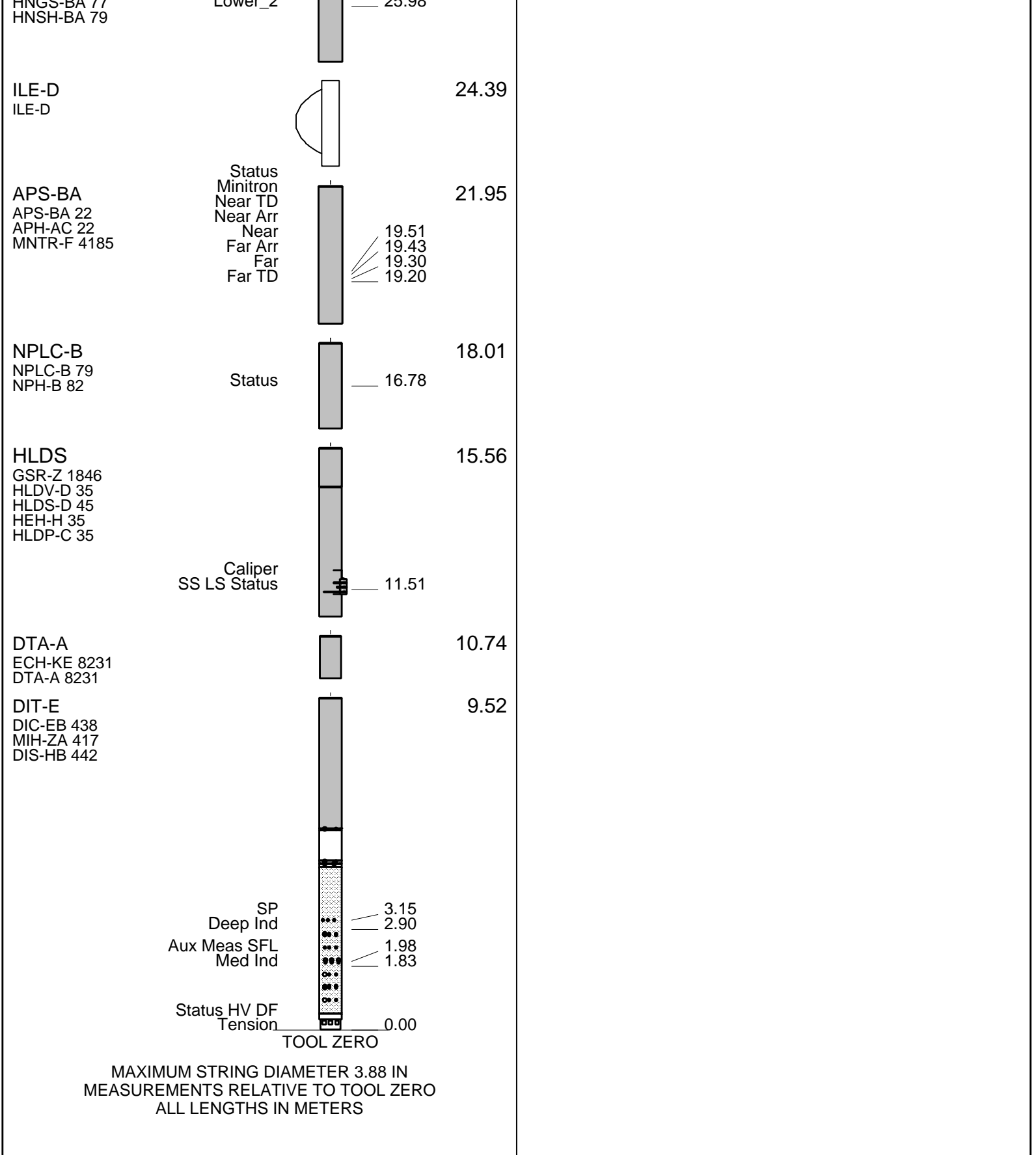
SURFACE EQUIPMENT

SFT-281 24
 SFT-178 4722
 GSR-U 135
 WITM (DTS)-A

RUN 2

DOWNHOLE EQUIPMENT

LEH-QT  28.69
 LEH-QT
 DTC-H  27.52 27.80
 ECH-KC 9343 CTEM TelStatus ToolStatu
 HNGS-BA  26.19 26.89
 UNGS BA 77 Upper_1 Lower_2



Output DLIS Files

DEFAULT	PI_LDL_APS_NGS_034LUP	FN:17	PRODUCER	01-Apr-2003 06:42	3074.7 M	2720.0 M
TCOMBO_CUST	PI_LDL_APS_NGS_034LUP	FN:18	PRODUCER	01-Apr-2003 06:42	3074.7 M	2720.0 M

OP System Version: 10C0-306
MCM

MAIN UP LOG

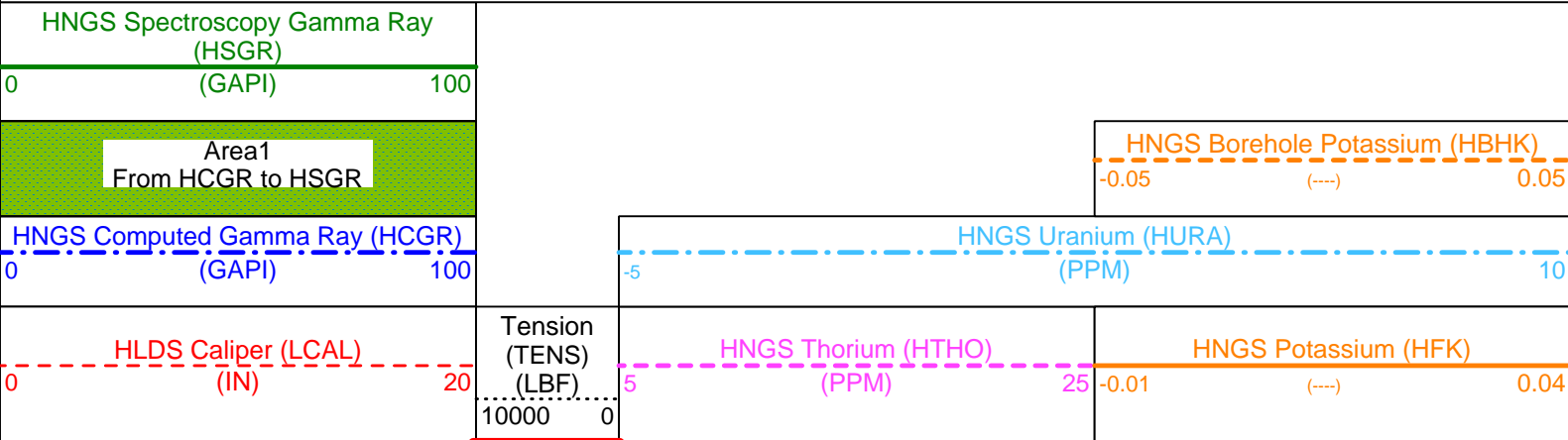
DIT-E	10C0-306	DTA-A	10C0-306
HLDS	SPC-2277-NUCL_b	NPLC-B	OP10-KP1
APS-BA	SPC-2277-NUCL_b	HNGS-BA	SPC-2277-NUCL_b
DTC-H	10C0-306		

Changed Parameter Summary

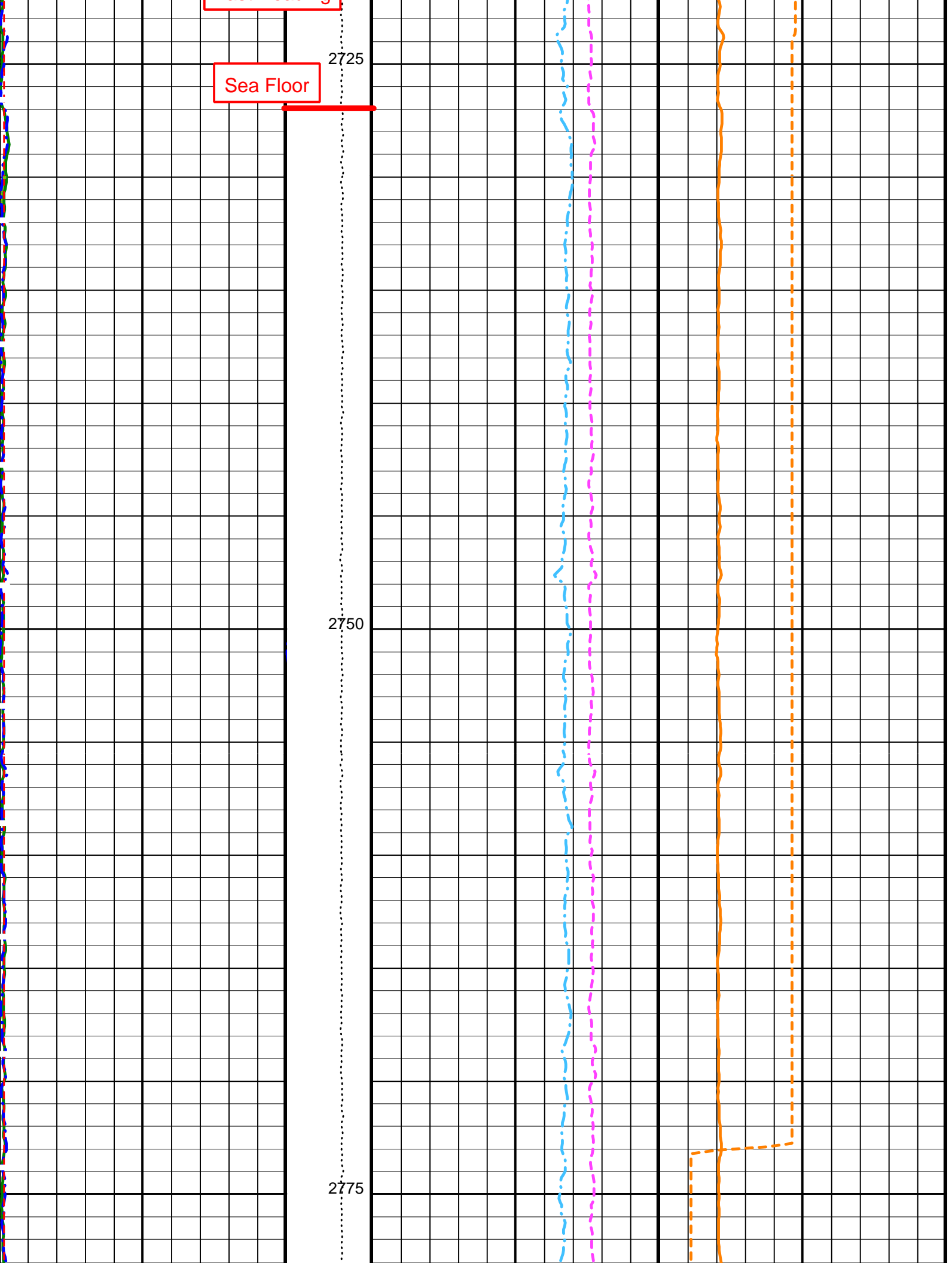
DLIS Name	New Value	Previous Value	Depth & Time
GCSE	BS	LCAL	2809.6 09:41:06
S1BI	1.3 CPS	-999.25 CPS	3075.2 06:42:49
S2BI	1.3 CPS	-999.25 CPS	3075.2 06:42:54

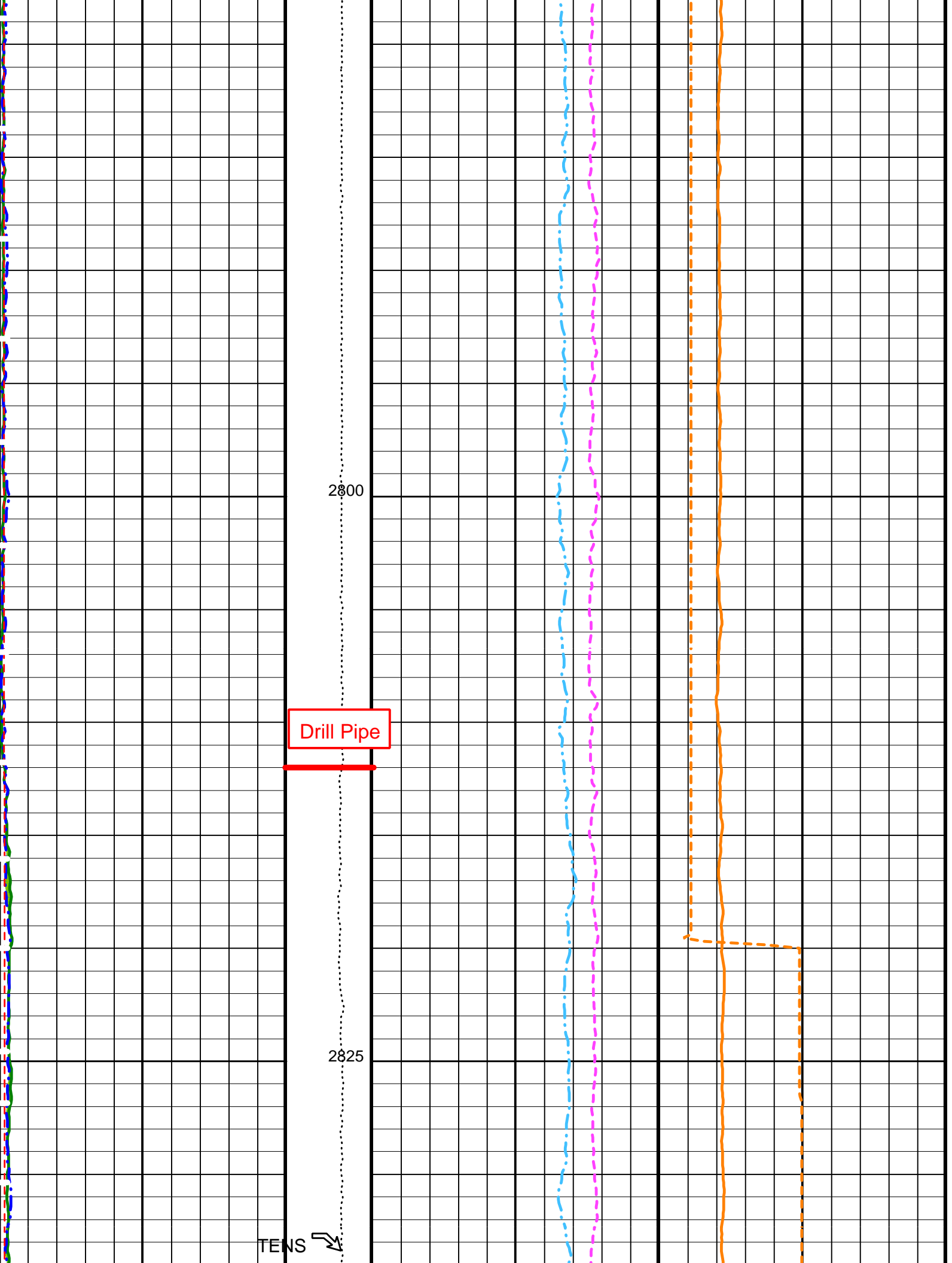
PIP SUMMARY

▶ Time Mark Every 60 S



Last Reading



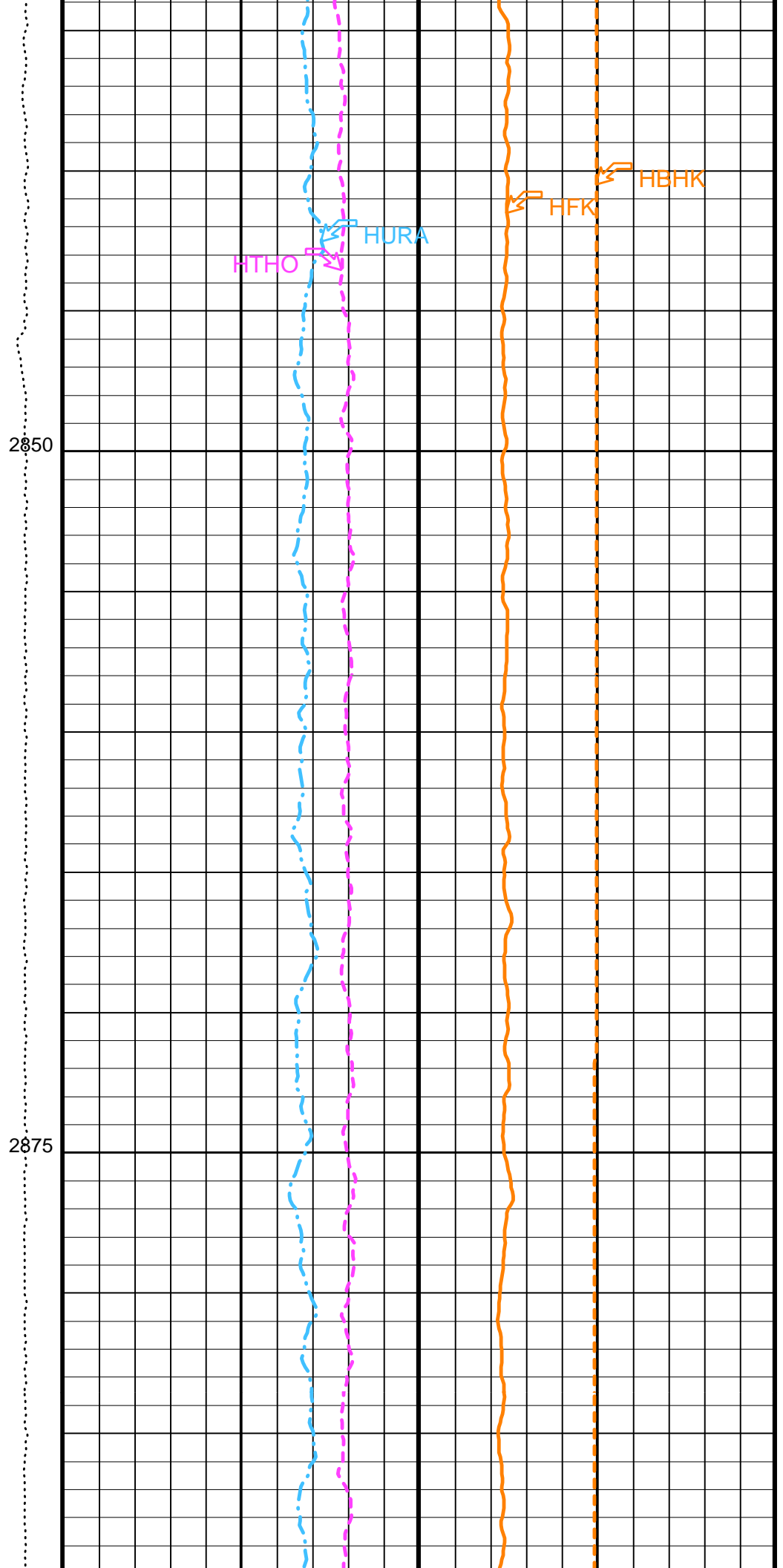
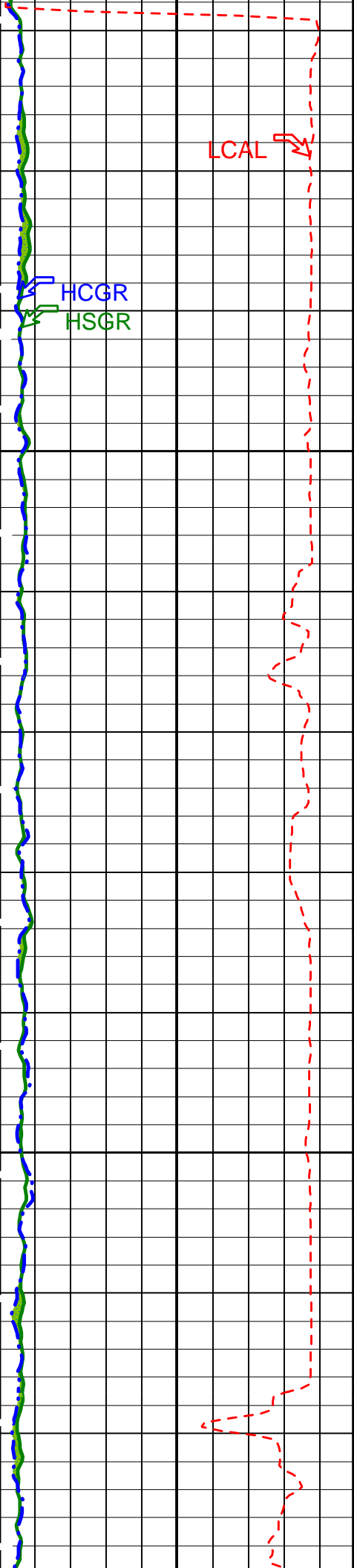


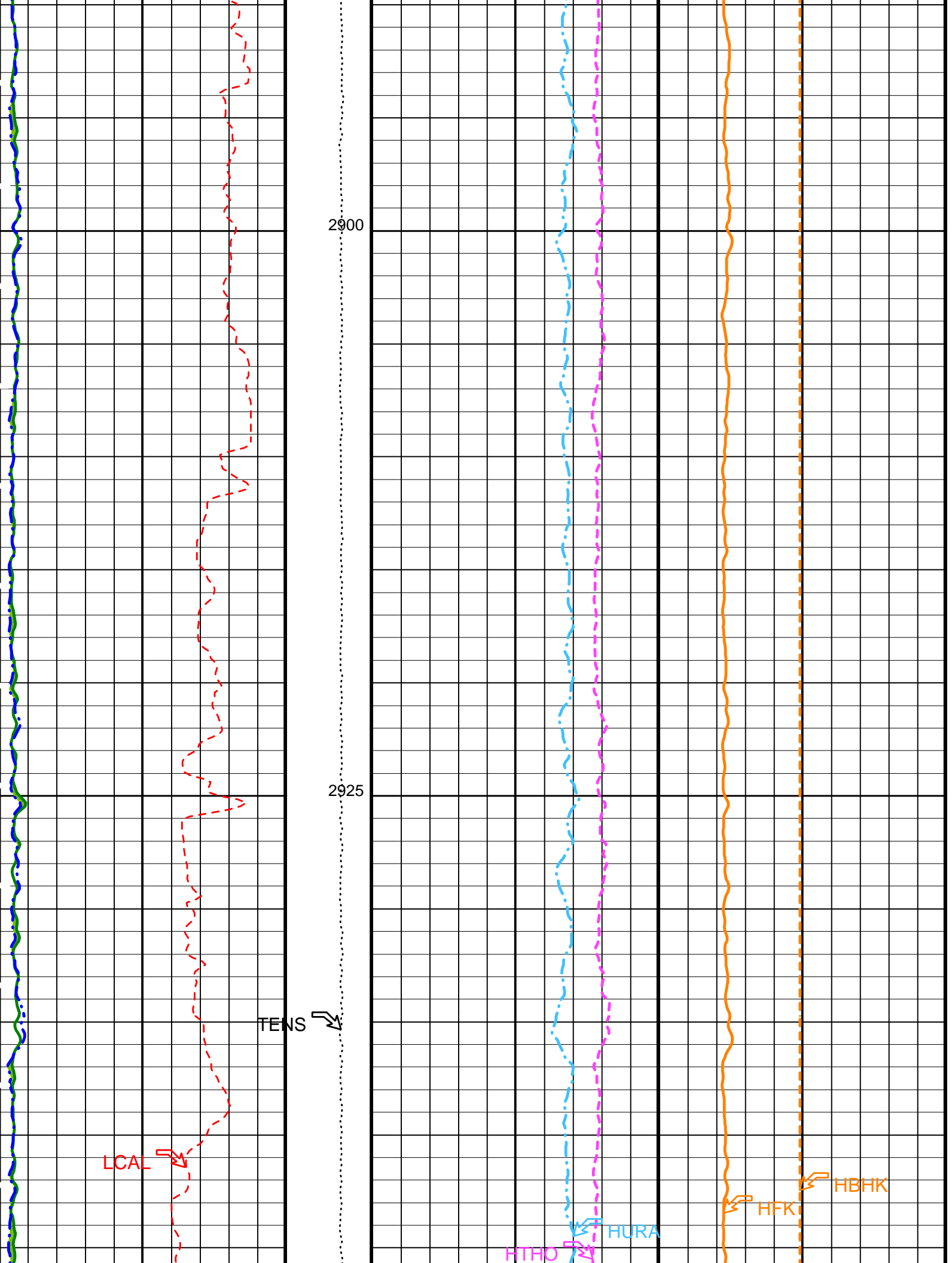
2800

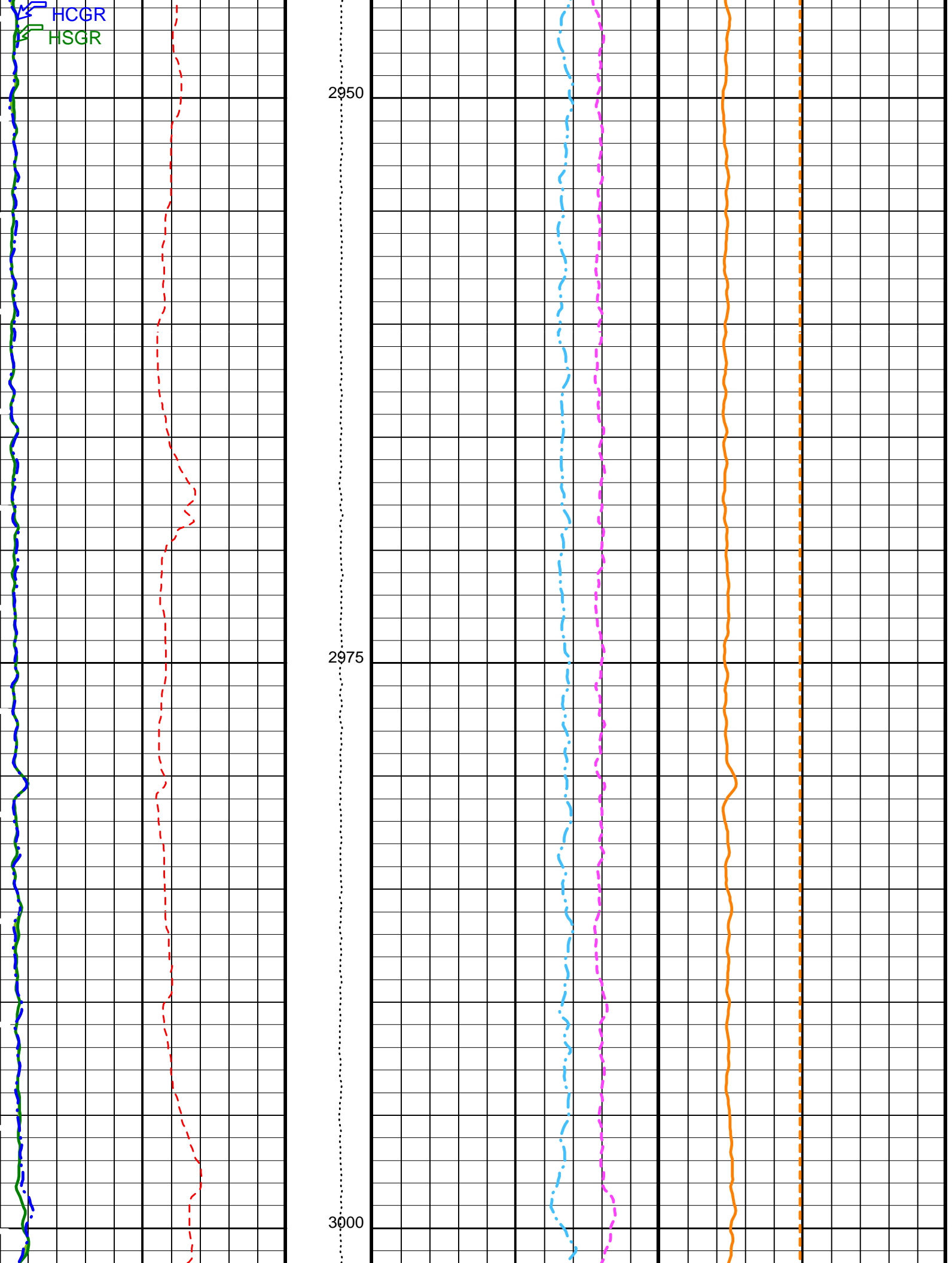
Drill Pipe

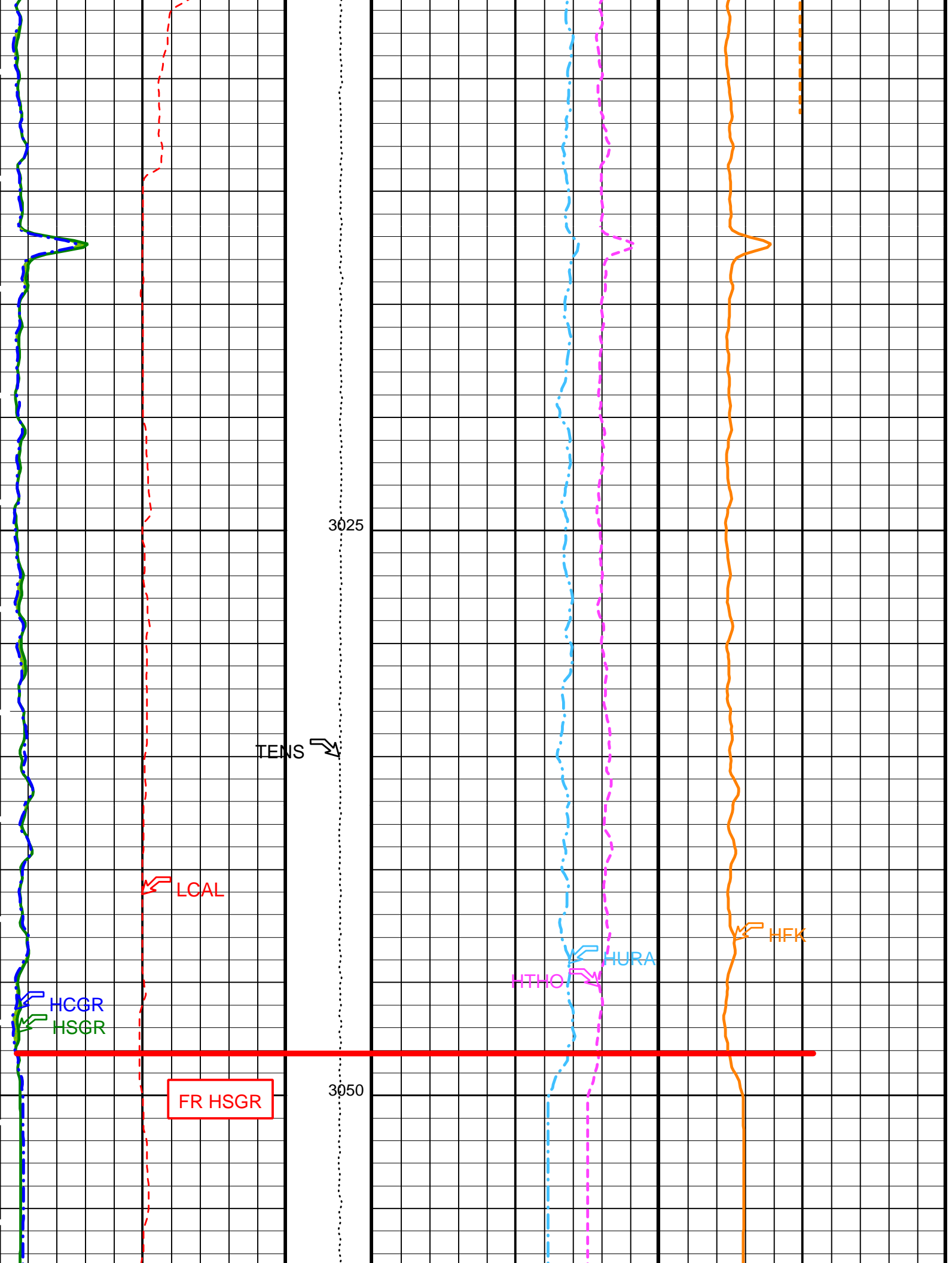
2825

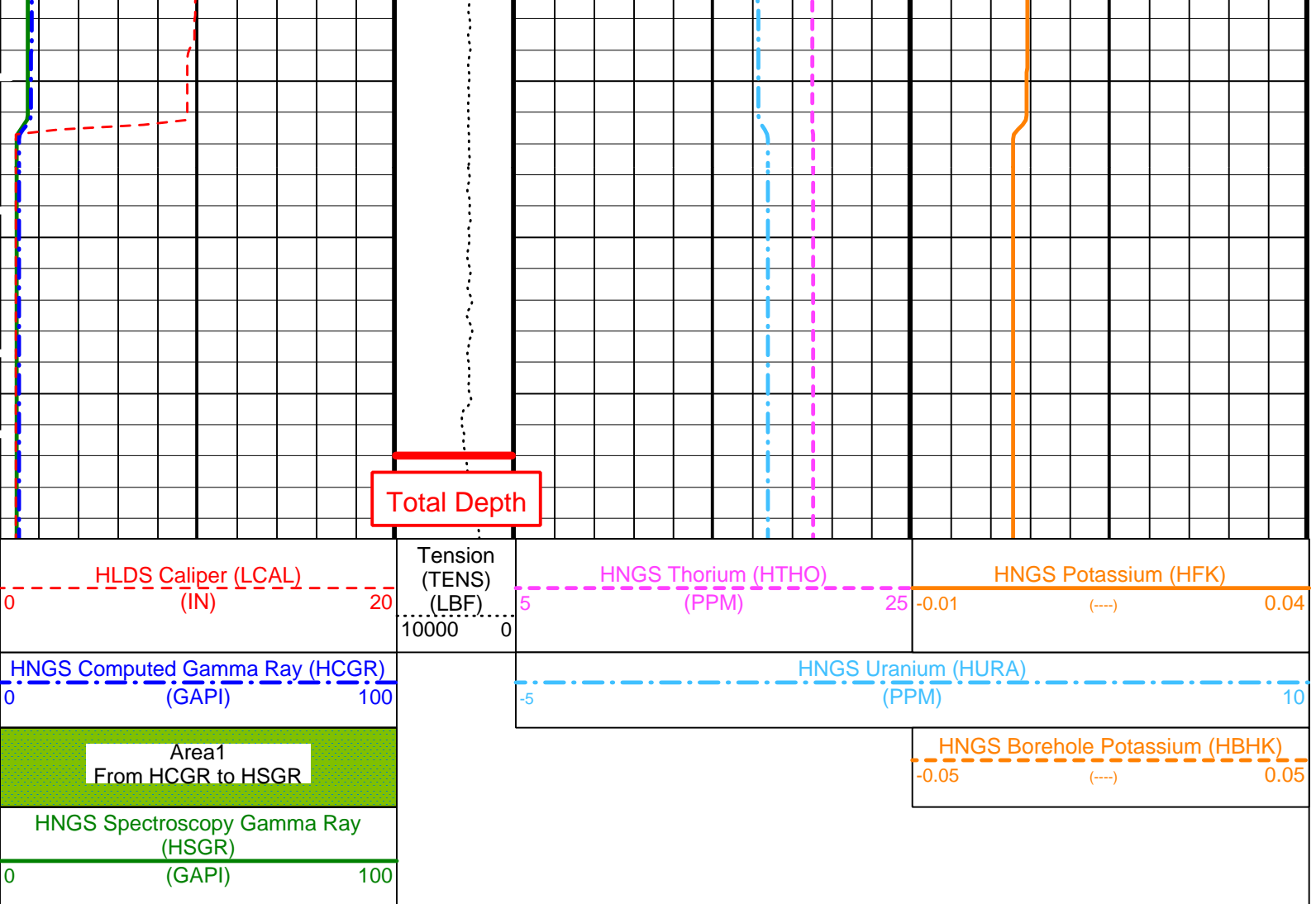
TENS ↘











PIP SUMMARY

Time Mark Every 60 S

Parameters

DLIS Name	Description	Value	
	DIT-E: Dual Induction - E		
BHS	Borehole Status	OPEN	
GCSE	Generalized Caliper Selection	LCAL	
	APS-BA: Accelerator-Porosity Tool		
BHS	Borehole Status	OPEN	
GCSE	Generalized Caliper Selection	LCAL	
	HNGS-BA: Hostile Natural Gamma Ray Sonde		
BAR1	HNGS Detector 1 Barite Constant	1	
BAR2	HNGS Detector 2 Barite Constant	1	
BHK	HNGS Borehole Potassium Correction Concentration	0	
BHS	Borehole Status	OPEN	
CSD1	Inner Casing Outer Diameter	0	IN
CSD2	Outer Casing Outer Diameter	0	IN
CSW1	Inner Casing Weight	0	LB/F
CSW2	Outer Casing Weight	0	LB/F
DBCC	HNGS Barite Constant Correction Flag	NONE	
GCSE	Generalized Caliper Selection	LCAL	
H1P	HNGS Detector 1 Allow/Disallow In Processing	ALLOW	
H2P	HNGS Detector 2 Allow/Disallow In Processing	ALLOW	
HABK	HNGS Borehole Potassium Running Average	-0.000414056	
HALF	HNGS Alpha Filter Length	60	IN
HCRB	HNGS Apply Borehole Potassium Correction	NONE	
HMWM	Mud Weighting Material	NATU	
HNPE	HNGS Processing Enable	YES	
S1BI	HNGS Detector 1 Calibration Bismuth Count Rate	-999.25	CPS
S2BI	HNGS Detector 2 Calibration Bismuth Count Rate	-999.25	CPS
SGRC	HNGS Standard Gamma-Ray Correction Flag	YES	
TPOS	Tool Position	ECCE	
VBA1	HNGS Detector 1 Variable Barite Factor Running Average	0.97278	
VBA2	HNGS Detector 2 Variable Barite Factor Running Average	0.978534	
	System and Miscellaneous		
BS	Bit Size	9.875	IN

OP System Version: 10C0-306

MCM

DIT-E	10C0-306	DTA-A	10C0-306
HLDS	SPC-2277-NUCL_b	NPLC-B	OP10-KP1
APS-BA	SPC-2277-NUCL_b	HNGS-BA	SPC-2277-NUCL_b
DTC-H	10C0-306		

Output DLIS Files

DEFAULT	PI_LDL_APS_NGS_034LUP	FN:17	PRODUCER	01-Apr-2003 06:42
TCOMBO_CUST	PI_LDL_APS_NGS_034LUP	FN:18	PRODUCER	01-Apr-2003 06:42

Company: Lamont Doherty

Schlumberger

Well: Leg 208, Site 1263A

Field: Walvis Ridge

Country: Africa

Ocean: Atlantic

Natural Gamma Ray